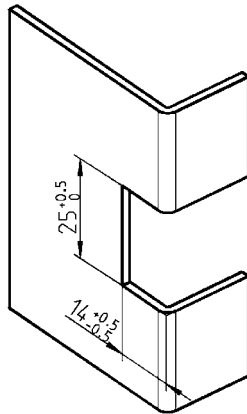
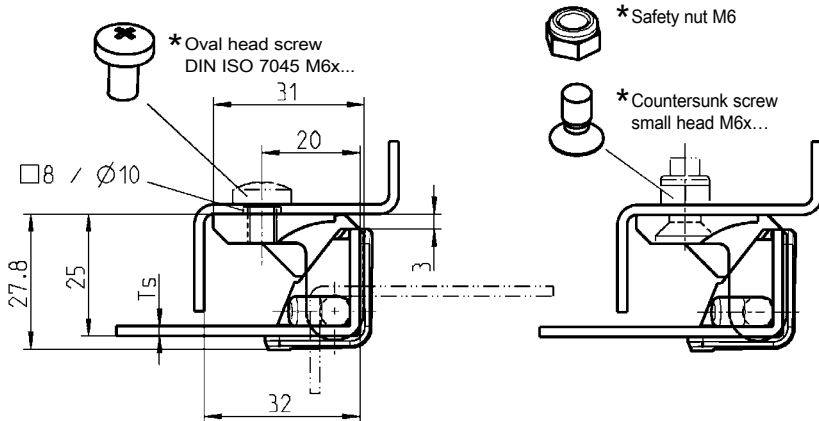
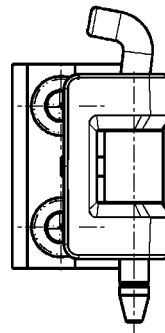
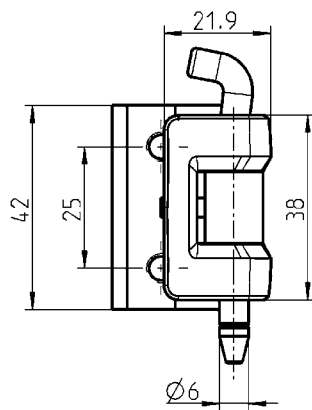
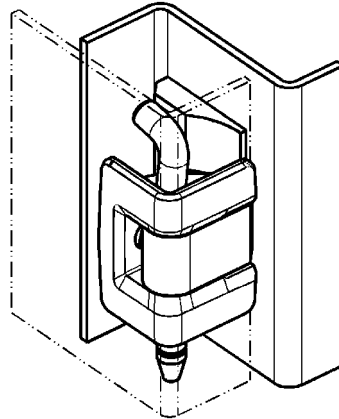


# 180° hinge PROGRAM 1110

180° hinge for single cabinets  
for 25 mm door return



Cut out



\* not included

small head = DIN ISO 2009, 2010, 7046-1, 7046-2, 7047

Further parts see page  
– 2D-nut

12E-120

180° hinge AISI 316; pin AISI 303

	Ts 0.8 - 1.0	Ts 1.5 - 2.0
Locking screw M6	1110-U134	1110-U135
Countersunk screw M6 (2D-nut possible)	1110-U136	1110-U137