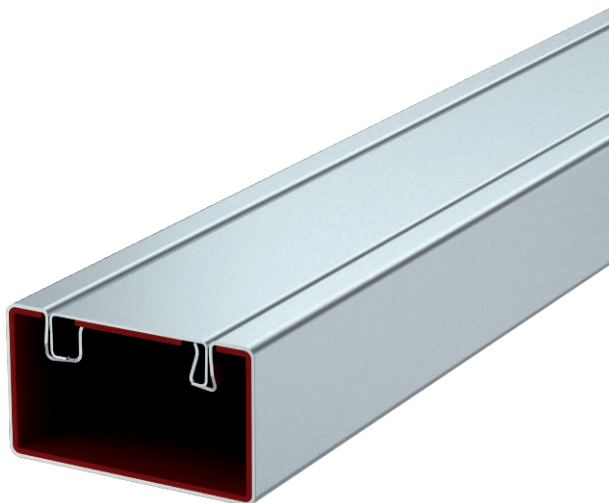


Technical data sheet

Metal fire protection duct, I30 to I120

Item no. 7216500



Four-sided, metal fire protection duct to install and route cables. With intumescent inner lining. In the event of fire, it prevents the spread of fire in the duct and protects emergency and escape routes against the impacts of a cable fire.

Direct wall and ceiling mounting, mounting possible beneath system floors or on support systems. Tested and approved as an I duct according to DIN 4102 Part 11. General construction approval for fire resistance classes I30 to I120.

Pre-terminated fittings available.

Only pre-terminated fittings that match the description in the approval may be installed with the fire protection duct.

Safe connection of duct base and removable duct cover through integrated locking brackets. Toolless mounting. Multiple mounting and dismantling of the cover possible. Equipotential bonding created using locking brackets.

St	Steel
FS	Strip galvanised

Product text, scope of delivery | Duct consisting of duct base and cover.

Master data

Item no.	7216500
Type	BSKM 0407 FS
Description 1	Fire protection duct I30-I120
Description 2	with inner coating
Dimension	40x70x2000
Material	Steel
Material symbol	St
Surface	Strip galvanised
Surface to DIN	DIN EN 10346
Surface symbol	FS
Smallest sales unit	2,00 m
Weight	254,65 kg/100 m

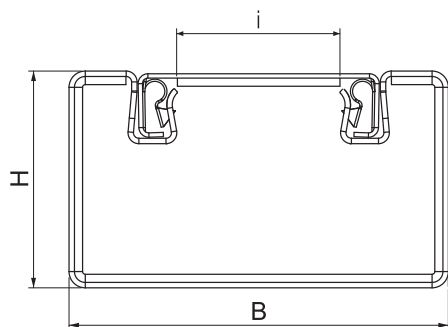
Technical data sheet

Metal fire protection duct, I30 to I120

Item no. 7216500



Technical data



Length	2.000,00 mm
Width	70,00 mm
Height	40,00 mm
Dimension B	70,00 mm
Dimension H	40,00 mm
Dimension i	30,00 mm
Number of flammable sides	3
Lid fastening	Other
Fire resistance class I - installation duct	120,00
With perforation	<input type="checkbox"/>
Partitions possible	<input type="checkbox"/>
Jacketing	Steel
Material of the insulation	Other