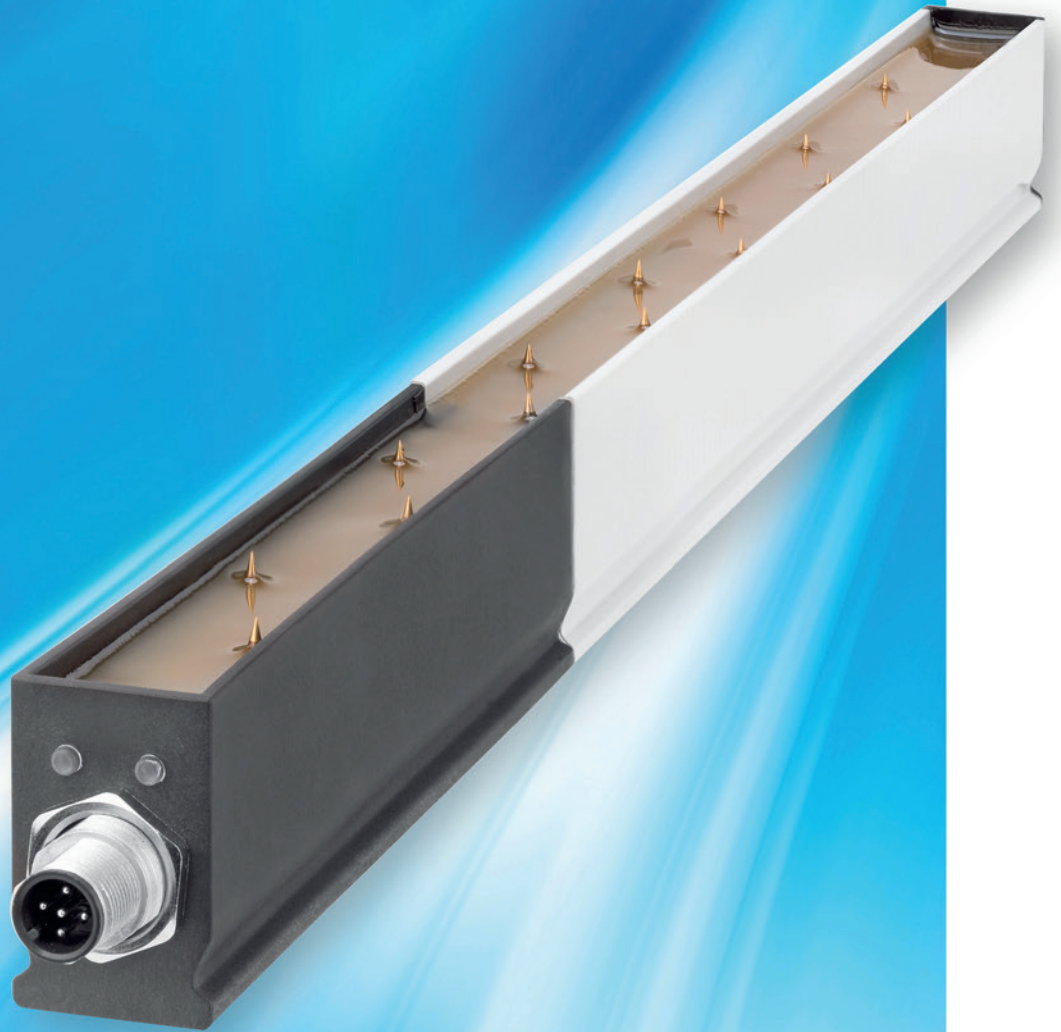


DISCHARGING



eltex electrostatic
innovations

> Smart Discharging System SDS



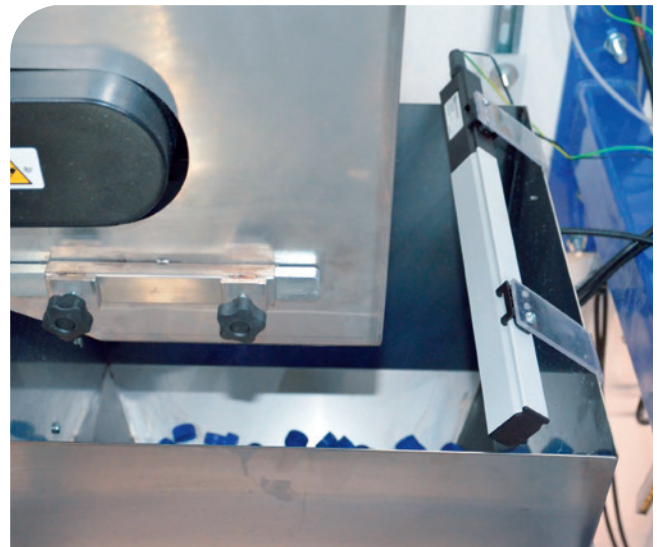
All in one. Perfectly integrated discharge. Smart Discharging System SDS

New benchmarks for 24 V discharge technology

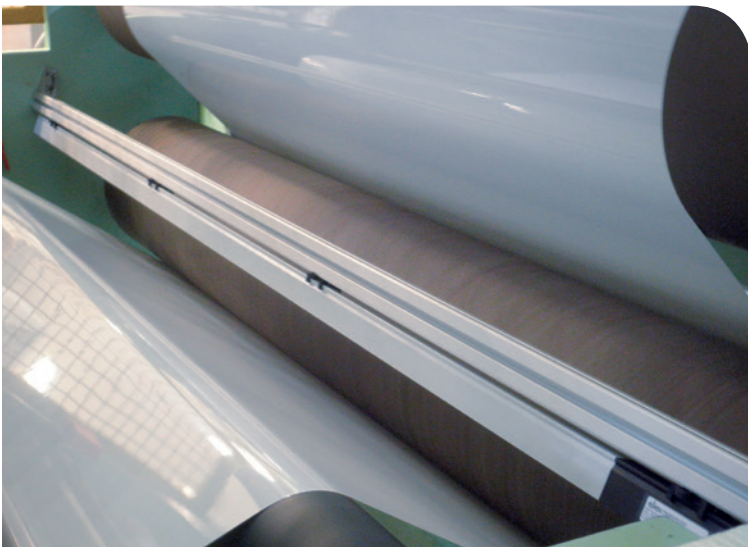
At the Smart Discharging System SDS the components such as power supply, output stages and measurement technology are integrated in the slim electrode profile. This system's communication with machines and operation via mobile devices is particularly smart.

The Smart Discharging System SDS is ideal for discharging in the medium distance and speed range for applications in automation technology and in the plastics and packaging industry.

The Smart Discharging System's outstanding product features include easy assembly and straightforward cleaning. The system, also designed for integration into quality management, is operated via a central control module.



Discharge of plastic parts in the weighing unit



Discharging for film extrusion on the rewinder

Total flexibility

- > easy to clean, without dirty edges
- > variable electrode length from 300 to 4000 millimeter
- > easy and flexible installation
- > approvals CE, GS, (UL in planning)
- > interface with and without fieldbus

Well thought-out

- > 24 V DC supply
- > integrated high voltage generation
- > emission tips arranged in two offset rows
- > pulsating positive and negative high voltage
- > central control module



Smart Discharging System SDS

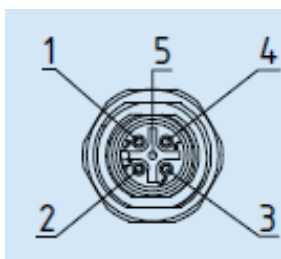
Variants

Variants	Close range N Enlarged range E	Length from to	grid spacing Spitzenabstand	fault signal	CAN
SDS/NS	N	330–3990	60	X	
SDS/NC	N	330–3990	60		X
SDS/ES	E	315–3905	90	X	
SDS/EC	E	315–3905	90		X

Technical specifications

	SDS/N_	SDS/E_
Supply voltage	24 V DC +/-10%	
Input Current/Power Input	max. 0,5 A / max. 12 W	
Output voltage	+/- 7 kV	+/- 11 kV
Working distance	min. 100 mm	min. 150 mm
Ambient humidity	+5 ... +50°C (+41 ... +122°F)	
Short-circuit / tip	max. 0,075 mA	max. 0,120 mA
Protection class	IP66 according to EN 60529	
Maße	39 mm x 24 mm x total length	
Mounting material	holder bar SDS included in delivery	

Plug connection

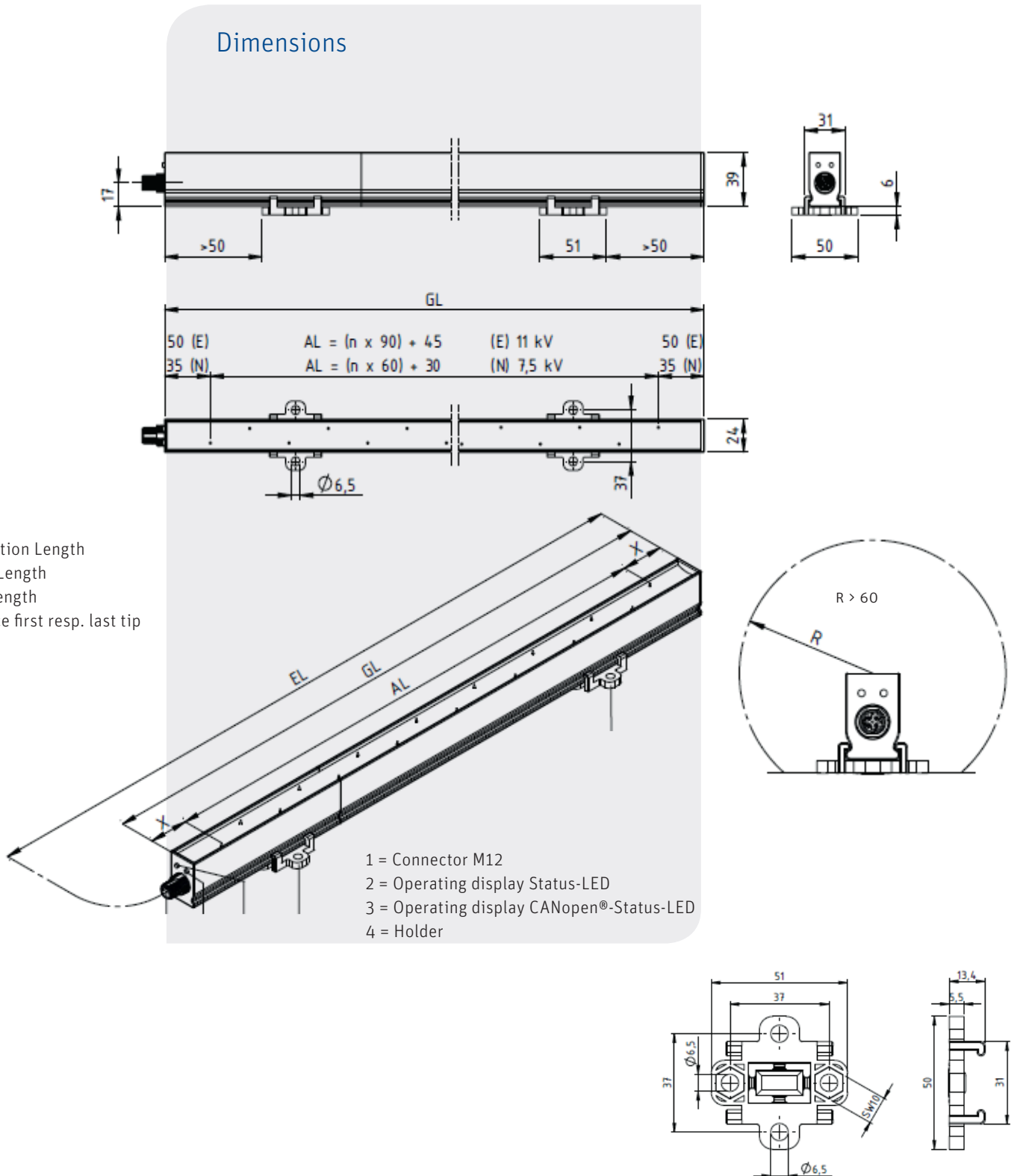


pin	SDS/_S function	SDS/_C
1	fault signal output	shield
2	24 V DC	24 V DC
3	0 V	0 V
4	0 V	CAN high
5	shield	CAN low

connector 5-pins
M12x1 A-coded

Smart Discharging System SDS

Dimensions



EL = Installation Length
 AL = Active Length
 GL = Total Length
 X = Distance first resp. last tip