

Swinghandle with push button 1185 for cam or rod control

PROGRAM 1180

EMKA

®

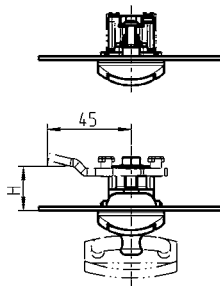
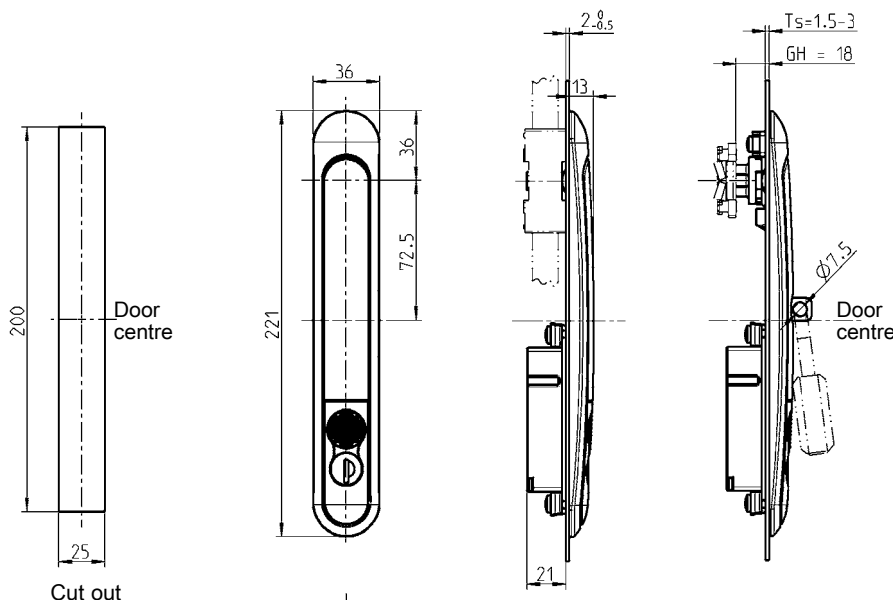
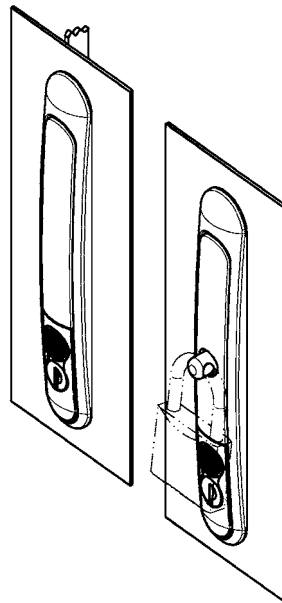
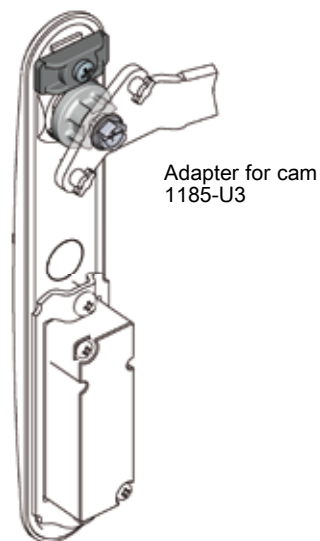
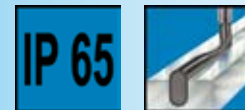
Info

1 Quarter turns

2 Rod controls

3 Locking systems

Beschlagteile



Product benefits

- Use of rod control or cam possible
- Protection against vandalism by recessed operating elements
- Additional locking possible by means of a padlock

Swinghandle for rod control
Handle, escutcheon and pushbutton zinc die black powder coated;
padlock stud AISI 303;
shaft zinc die; round cylinder zinc die with stainless steel cap and dust cap;
fixing material stainless steel; with seal.
Each round cylinder has one key m.s. nickel plated.

keyed EK 333	1185-U4
keyed different	1185-U4-V
keyed EK 333 and for padlock	1185-U5
different closing and for padlock	1185-U5-V

Adapter for cam zinc die zinc plated; bridge polyamide GF VO black;
with fixing material

1185-U3

Further parts see page

– cam (stroke = 26) 3YC-120
– Rod control 3YA-480

