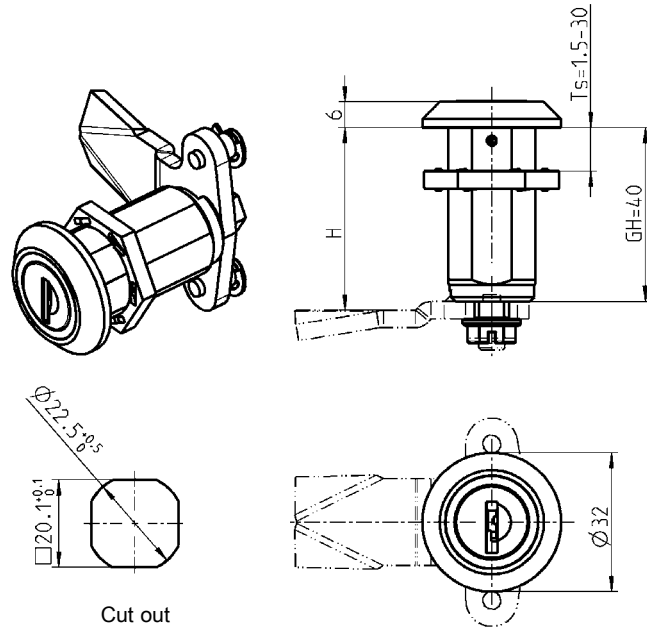


Combination of quarter turn and cylinder for 1- and 3-point latch system.

**Note:**  
IP 65 and IP 66 only available factory pre-assembled

**Further parts see page**

- cam with catch	up to	1C-120
	from	1C-170
- Accessories		3B-140
- Escutcheon		12B-140
- Spare key		



**Safety quarter turn:**

Removable cylinder, covered square insert, enables higher torque with square key.

Safety quarter turn housing zinc die black powder coated, cylinder with stainless steel cap and shutter, insert square female 6mm zinc die chrome plated, earthnut and fixing material m.s. zinc plated  
Each cylinder has one silver steel key with polyamide GF grip black.

keyed EK 333	1048-U22
keyed different	1048-U23
Key square 6 mm male	1004-29-01

**IP 65 with:**

Flat seal	1000-23
O-ring	1000-24

**IP 66 with:**

Seal-set	1000-U769
----------	-----------