



electrostatic
innovations



Charging Bars



Charging bars

Eltex charging bars are used primarily in applications in which production processes are faster and smoother when the materials used, such as films and paper, cling to each other. The parallel arrangement of two or more bars allows two-dimensional charging or operation at the highest web speeds.



Charging bar R130

Heavy-duty precision bar for supply voltages up to 60 kV. The charge and field distribution have been substantially improved by the optimized arrangement of the individual bars. Separate current-limited tips prevent an increase in air ionization and high-energy sparks.

› Maximum safety

No need to worry about high voltage. Limited contact currents prevent safety risks – GS-tested.

› Certified quality

CE, GS and UL certified for high reliability and trouble-free use.

› Uncomplicated assembly

Flexible and simple to install – even in complex systems.



Charging bar R120

A universal bar with minimal dimensions for supply voltages up to 15 kV. It is used to charge surfaces for blocking and tacking purposes.



Point Charging Bar R23ATR

Target-specific application of the required charge through the adjustable geometry of the charging points. This arrangement is needed, for instance, for tacking small surfaces (labels) using electrostatic power. Suitable for edge zone fixing during film and foil production.

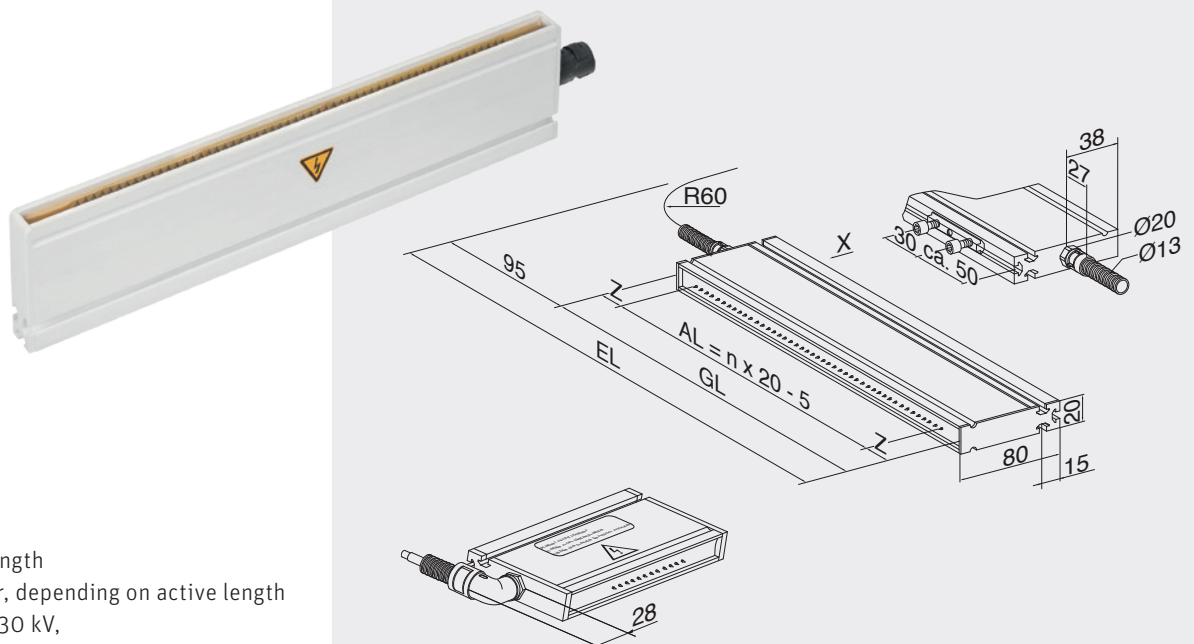


Charging Bar R130

Technical specifications

Electrode (bar) element	glass-fibre-reinforced plastic GRP
Encapsulation material	polyurethane, UL-94 V0
Emission tips	special alloy
Installation material	plastic or metal sliding nuts
Operating ambient temp	R130A/R131A 0...+60°C (+32...+140°F) EXR130A 0...+40°C (+32...+104°F)
Ambient humidity	max. 60% RH, non-dewing
Dimensions	profile: 20 x 80 mm, max. length 3,985 mm, see figure
Weight	approx. 2,1 kg/m
Operating voltage	R130A3/R131A3 max. ±30 kV R130A6 max. ±60 kV EXR130A max. -30 kV DC/+20 kV DC for voltages higher 60 kV there are special electrode designs available
Operating current	typically 1 mA per meter of active bar length
High voltage supply	via Eltex high voltage generators
High voltage connection	R130A/R131A series POWER CHARGER, KNH18, KNH35, KNH65 EXR130A series HSG61EX
High voltage connection	prefabricated high voltage cable in plastic tube with plug for the high voltage generator, length 1...99 m (standard length 5 m)
EX approval (EXR130A)	BAS97ATEX2218X ⊕ II 2G Ex mb IIB T6 Gb or ⊕ II 3D IIIB T100°C Dc provided that the tips of the bar point downwards and that the flash power of the dust is >0.4 m.
UL approval (EXR130US)	Class I, Group D; Class II, Group G; Class III; File No. E81984

Dimensions



AL = Active length

GL = Total length

EL = Installation length

n = Whole number, depending on active length

= 35 mm below 30 kV,

60 mm below 60 kV operating voltage

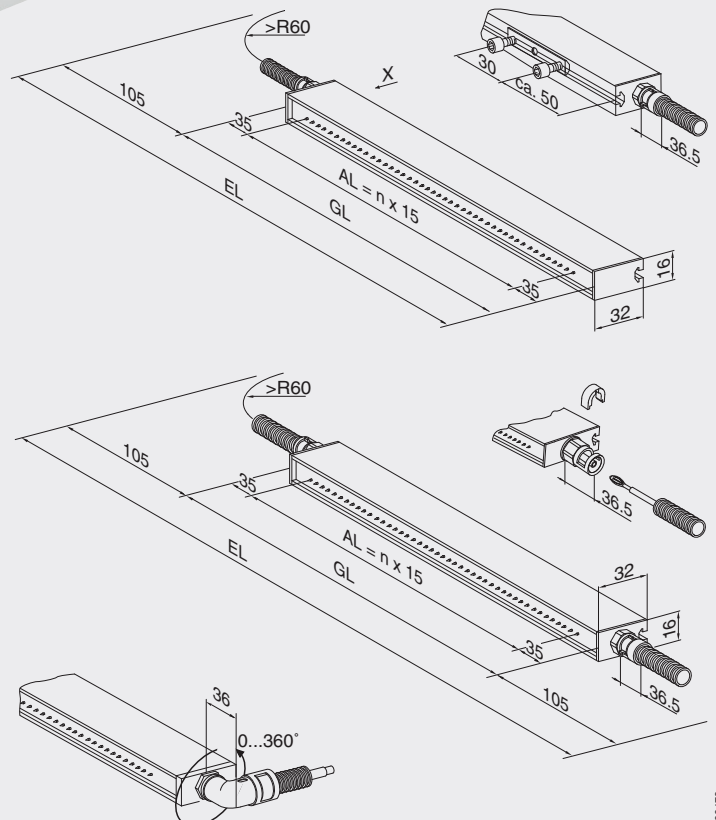


Charging Bar R120

Technical specifications

Bar element	glass-fibre-reinforced plastic GRP
Encapsulation material	polyurethane, UL-94 V0
Emission tips	stainless steel
Installation material	plastic or metal sliding nuts
Operating ambient temp.	0...+60°C (+32...+140°F)
Ambient humidity	max. 60% RH, non-dewing
Operating voltage	max. 15 kV to max. 60 kV, depending on insulation
Operating current	max. 1 mA per meter of active bar length
High voltage supply	via Eltex high voltage generators series POWER CHARGER, KNH18, KNH35, KNH65
High voltage connection	prefabricated high voltage cable in plastic tube with plug for the high voltage generator, length 1...99 m (standard length 5 m)
Length	profile: 16 x 32 mm, max. length 3,985 mm, see figure page 4
Dimensions	max. 3985 mm
Weight	approx. 1 kg/m

Dimensions



- AL = Active length
- GL = Total length
- EL = Installation length
- n = Whole number, depending on active length

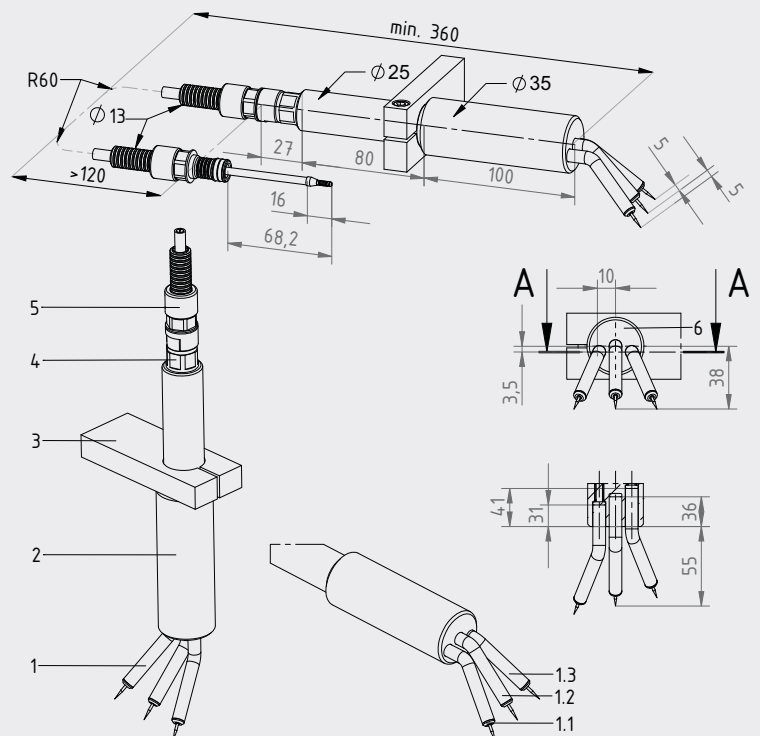


Point Charging Bar R23ATR

Technical specifications

Bar element	PU, UL 94 V-0
Emission tips	R23ATR max. 3 emission tips R23ATR11 1 emission tip exchangeable, adjustable, with insulating coating, current limited via separate resistance
Ambient operating temp.	0...+120°C (+32...+248°F) in emission tip area 0...+70°C (+32...+158°F) on bar element
Operating voltage	R23ATR 30 kV DC max. R23ATR11 30 resp. 60 kV DC max.
High voltage power supply	via Eltex high voltage generators series POWER CHARGER PCSC, KNH35, KNH65
High voltage cable	Detachable cable connection: prefabricated, exchangeable high voltage cable in plastic tubing with connector for charging bar and high voltage generator

Dimensions



- 1 Emission tips
- 2 Base element PU
- 3 GRP holder for installation
(provided by the customer)
- 4 Cable gland
- 5 Prefabricated high voltage cable
for connecting to the high voltage generator
- 6 Hole diagram and mounting depth
of the emission tips