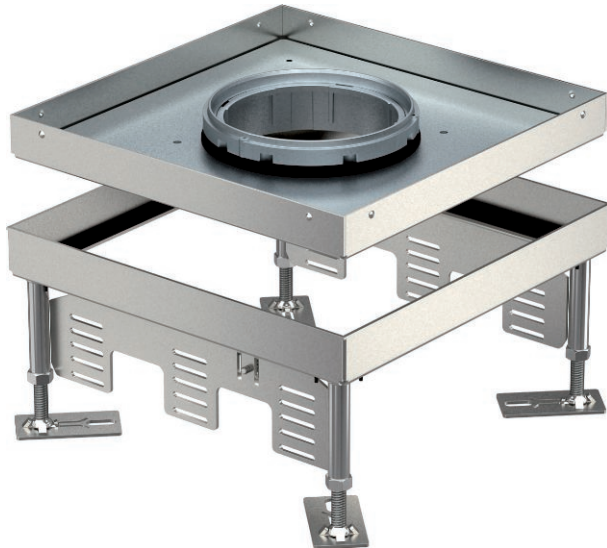


Technical data sheet

Height-adjustable heavy-duty cassette for tube body
RKFNSL, nominal size 9, stainless steel
Art.-Nr. 7409390



Heavy-duty square cassette for tube body of nominal size 9 for the installation of accessories in trunking systems, raised or cavity floors, in dry or wet-cleaned floors. Load class 1 to 10 kN.



A2 Stainless steel, rustproof 1.4301

Additional product text 1

Master data

| | |
|---------------------|--------------------------------------|
| Item no. | 7409390 |
| Type | RKFNSL 9 VMSL 1N21 |
| Description 1 | Square cassette SL |
| Description 2 | for tube |
| Dimension | 243x243x100 |
| Material | Stainless steel, material no. 1.4301 |
| Material symbol | A2 |
| Smallest sales unit | 1,00 Piece |
| Weight | 514,00 kg/100 pc. |

Technical data sheet

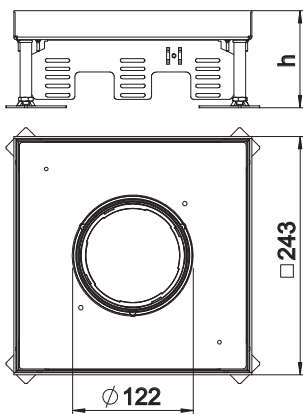
Height-adjustable heavy-duty cassette for tube body
RKFNSL, nominal size 9, stainless steel
Art.-Nr. 7409390



Technical data

| | |
|--|-------------------------------------|
| Floor covering thickness | 21,00 mm |
| Floor height | 105-155 mm |
| Number of installable devices | 12,00 |
| Number of mounting boxes | 3,00 |
| Number of cable outlets | 1,00 |
| Version for | Square |
| Cable outlet version | Tube body |
| Floor care | Wet |
| Installation depth | 105,00 mm |
| Decouplable | <input type="checkbox"/> |
| Device support to accept mounting boxes | <input checked="" type="checkbox"/> |
| Nominal size for device installation units | 9 |
| Suitable for raised floor installation | <input checked="" type="checkbox"/> |
| Suitable for cavity floor installation | <input checked="" type="checkbox"/> |
| Suitable for underfloor box | 350 |
| Height-adjustment range | 105,00 - 155,00 mm |
| Heavy load class | 10 kN (OBO SL1) |
| Schwerlastausführung | <input checked="" type="checkbox"/> |
| Typ des Einbausystems | UT4 |

Dimensions



| | |
|-------------|-----------|
| Dimension h | 105,00 mm |
|-------------|-----------|

Dimensions