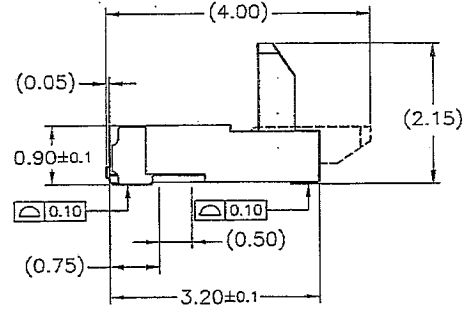
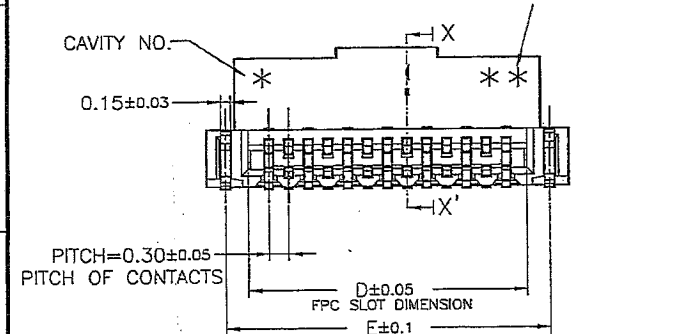
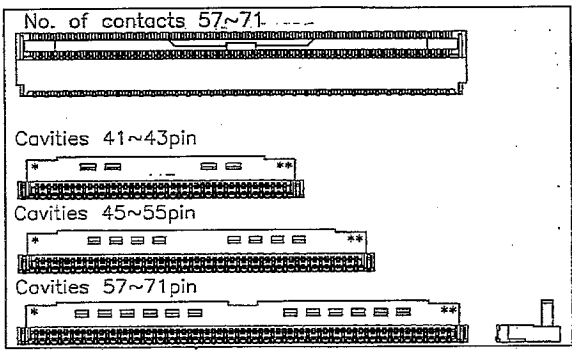
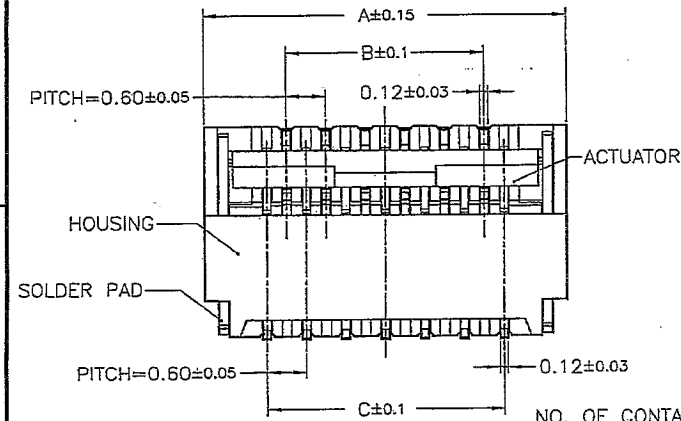


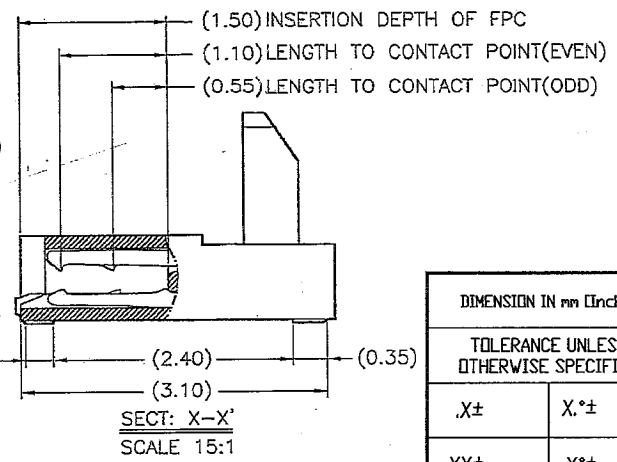
1 2 3 4 5 6 7 8

REV	MODIFICATION	DATE	DRAW



NO.OF CONTACTS	DIM. A	DIM. B	DIM. C	DIM. D	DIM. E
09	4.3	1.8	2.4	3.03	3.72
11	4.9	2.4	3.0	3.63	4.32
13	5.5	3.0	3.6	4.23	4.92
15	6.1	3.6	4.2	4.83	5.52
17	6.7	4.2	4.8	5.43	6.12
19	7.3	4.8	5.4	6.03	6.72
21	7.9	5.4	6.0	6.63	7.32
23	8.5	6.0	6.6	7.23	7.92
25	9.1	6.6	7.2	7.83	8.52
27	9.7	7.2	7.8	8.43	9.12
29	10.3	7.8	8.4	9.03	9.72
31	10.9	8.4	9.0	9.63	10.32
33	11.5	9.0	9.6	10.23	10.92
35	12.1	9.6	10.2	10.83	11.52
37	12.7	10.2	10.8	11.43	12.12
39	13.3	10.8	11.4	12.03	12.72
41	13.9	11.4	12.0	12.63	13.32
43	14.5	12.0	12.6	13.23	13.92
45	15.1	12.6	13.2	13.83	14.52
49	16.3	13.8	14.4	15.03	15.72
51	16.9	14.4	15.0	15.63	16.32
57	18.7	16.2	16.8	17.43	18.12
61	19.9	17.4	18.0	18.63	19.32
67	21.7	19.2	19.8	20.43	21.12
71	22.9	20.4	21.0	21.63	22.32

NOTE:
 MATERIAL:
 HOUSING:LCP(UL 94V-0)
 ACTUATOR:LCP(UL 94V-0)
 TERMINAL:PHOSPHOR BRONZE
 STOPPER:PHOSPHOR BRONZE
 PLATING:
 TERMINAL:1u"~3u" GOLD FLASH (NICKEL BARRIER)
 STOPPER:TIN OVER NICKEL(LEAD FREE)
 RATING:
 OPERATING VOLTAGE:30Vrms AC
 CURRENT RATING:0.2A
 OPERATING TEMPERATURE:-55°C ~ +85°C



ORDERING INFORMATION
 FPCT8-Z xx 01 D3 19

No of Contacts — BACK-FLIP TYPE
 01:GOLD FLASH — R/A (Dual contact)
 1u"~3u"(Nickel Barrier) — PACKAGE TA-EMBOSSED

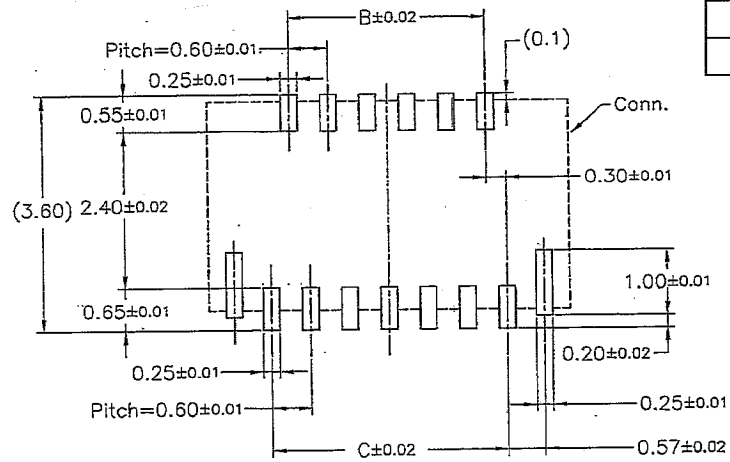
DIMENSION IN mm [Inch]		PROD. SPEC.
.X±	X.°±	APPROVE <i>Gany</i>
.XX±	X.°±	CHECK <i>Ming</i>
.XXX±	XX°±	DRAW <i>Ming</i>

KINGFONT PRECISION INDUSTRIAL CO., LTD.	
TITLE 0.3mm Pitch FPC Conn. (H=0.9)	
CUSTOMER DRAWING	
FILE NO.	DWG NO. FPCT8-Zxx01D319
SIZE A4	PROJ. SHEET 1 / 5
SCALE 10:1	REV A

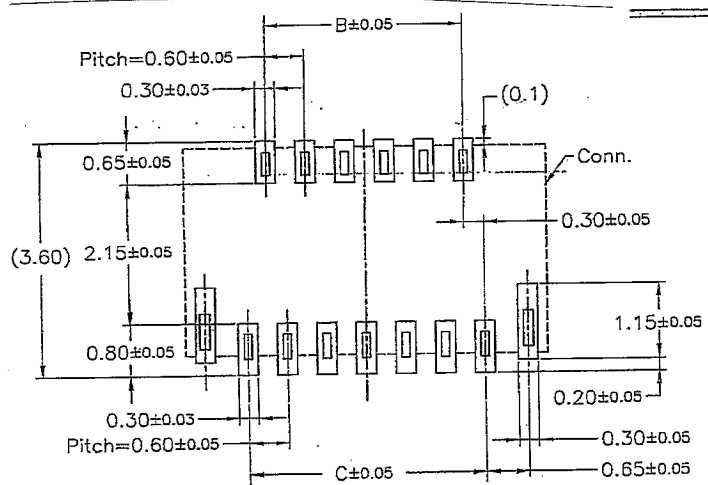
1 2 3 4 5 6 7 8 QR-2100-043

1 2 3 4 5 6 7 8

REV	MODIFICATION	DATE	DRAW



RECOMMENDED METAL MASK PATTERN (THICKNESS 0.1mm)



NO. OF CONTACTS	DIM. B	DIM. C
09	1.8	2.4
11	2.4	3.0
13	3.0	3.6
15	3.6	4.2
17	4.2	4.8
19	4.8	5.4
21	5.4	6.0
23	6.0	6.6
25	6.6	7.2
27	7.2	7.8
29	7.8	8.4
31	8.4	9.0
33	9.0	9.6
35	9.6	10.2
37	10.2	10.8
39	10.8	11.4
41	11.4	12.0
43	12.0	12.6
45	12.6	13.2
49	13.8	14.4
51	14.4	15.0
57	16.2	16.8
61	17.4	18.0
67	19.2	19.8
71	20.4	21.0

↑
FPC/FFC INSERT DIRECTION

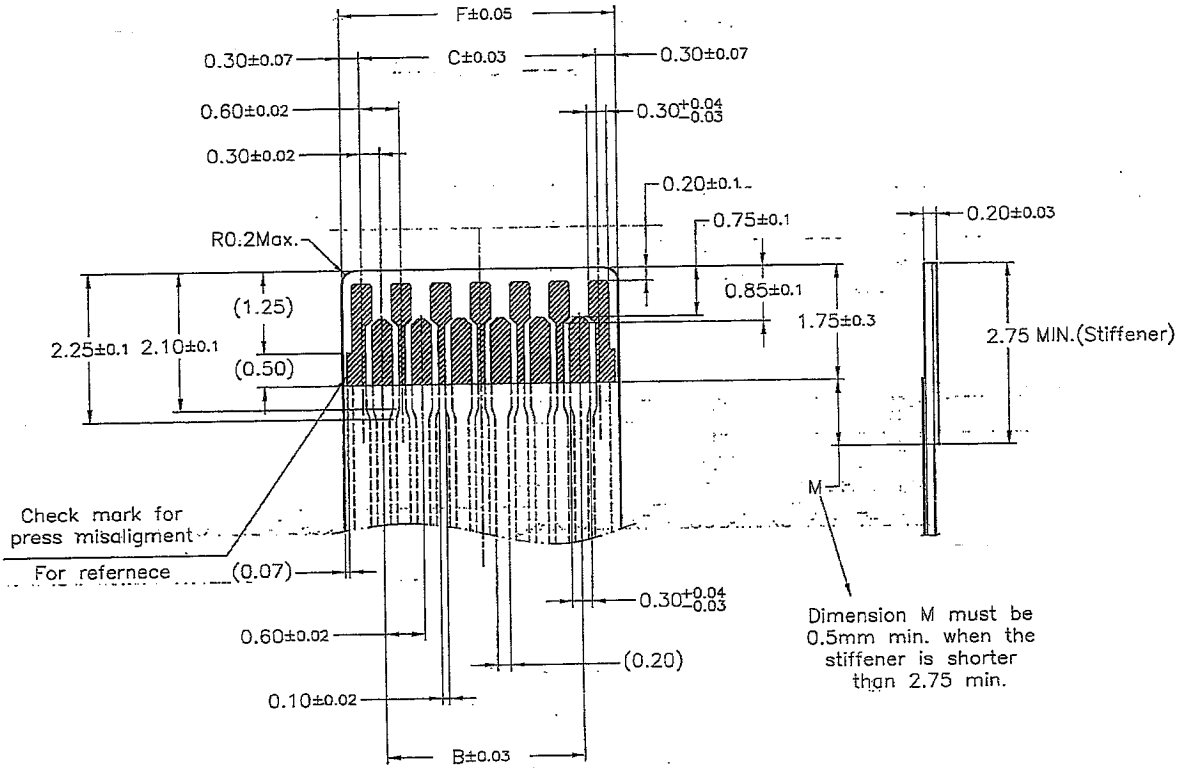
PCB LAYOUT

DIMENSION IN mm [Inch]		PRD. SPEC.	KINGFONT PRECISION INDUSTRIAL CO., LTD.	
TOLERANCE UNLESS OTHERWISE SPECIFIED		PKG. SPEC.	TITLE 0.3mm Pitch FPC Conn. (H=0.9) CUSTOMER DRAWING	
.X±	X*±	APPROVE <i>Gany</i>	FILE NO.	DWG NO. FPCT8-Zxx01D319
.XX±	.X*±	CHECK <i>Mmpy</i>	SIZE A4	PROJ. SHEET 2/5
.XXX±	XX*±	DRAW <i>Mmpy</i>	SCALE 10:1	REV A

1 2 3 4 5 6 7 8 QR-2100-043

1 2 3 4 5 6 7 8

REV	MODIFICATION	DATE	DRAW



Check mark for press misalignment
For reference (0.07)

Dimension M must be 0.5mm min. when the stiffener is shorter than 2.75 min.

APPLICABLE FPC

NO. OF CONTACTS	DIM. B	DIM. C	DIM. F
09	1.8	2.4	3.0
11	2.4	3.0	3.6
13	3.0	3.6	4.2
15	3.6	4.2	4.8
17	4.2	4.8	5.4
19	4.8	5.4	6.0
21	5.4	6.0	6.6
23	6.0	6.6	7.2
25	6.6	7.2	7.8
27	7.2	7.8	8.4
29	7.8	8.4	9.0
31	8.4	9.0	9.6
33	9.0	9.6	10.2
35	9.6	10.2	10.8
37	10.2	10.8	11.4
39	10.8	11.4	12.0
41	11.4	12.0	12.6
43	12.0	12.6	13.2
45	12.6	13.2	13.8
49	13.8	14.4	15.0
51	14.4	15.0	15.6
57	16.2	16.8	17.4
61	17.4	18.0	18.6
67	19.2	19.8	20.4
71	20.4	21.0	21.6

DIMENSION IN mm [Inch]		PREL. SPEC.	KINGFONT PRECISION INDUSTRIAL CO., LTD.	
TOLERANCE UNLESS OTHERWISE SPECIFIED		PKG. SPEC.	TITLE 0.3mm Pitch FPC Conn. (H=0.9) CUSTOMER DRAWING	
.X±	X*±	APPROVE <i>Gany</i>	FILE NO.	DWG NO. FPCT8-Zxx01D319
.XX±	.X*±	CHECK <i>Ming</i>	SIZE A4	PROJ. SHEET 3 / 5
.XXX±	XX*±	DRAW <i>Ming</i>	SCALE 10:1	REV A

1 2 3 4 5 6 7 8 QR-2100-043

EMBOSSED TAPE PACKING

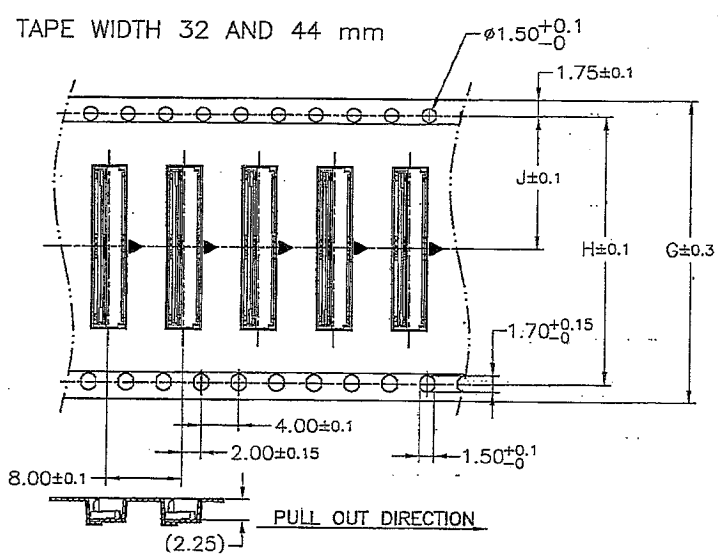
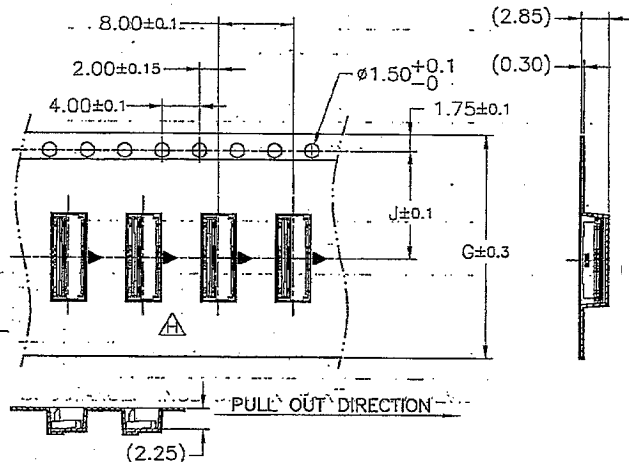
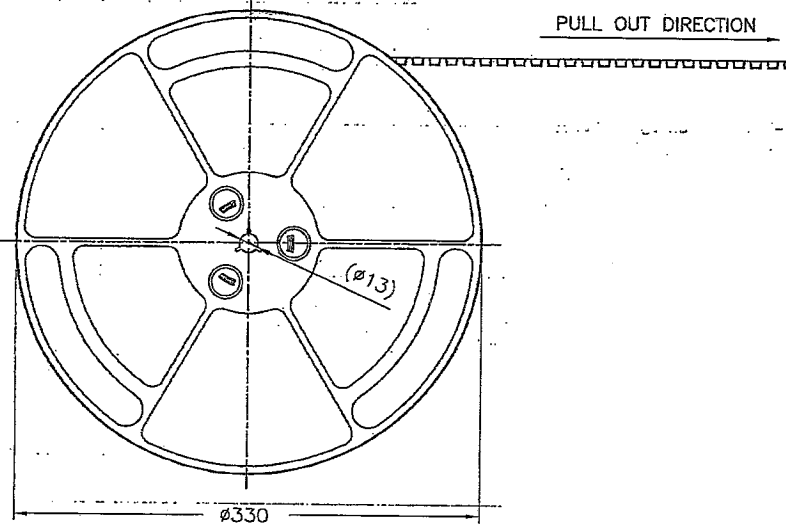
REV	MODIFICATION	DATE	DRAW

- NOTE:
1. SPROCKET HOLE PITCH CUMULATIVE TOLERANCE ± 0.2 .
 2. CARRIER CAMBER IS WITHIN 1 mm IN 250mm.
 3. MATERIAL : BLACK CONDUCTIVE POLYSTYRENE ALLOY
 4. THICKNESS : 0.30 ± 0.05 mm.
 5. COMPONENT LOAD PER 13" REEL : 3000PCS.

TAPE WIDTH 12., 16 AND 24. mm



NO. OF CONTACTS	DIM. G	DIM. H	DIM. J
09,11	12	—	5.5
13 ↓ 19	16	—	7.5
21 ↓ 45	24	—	11.5
49 ↓ 67	32	28.4	14.2
71	44	40.4	20.2



DIMENSION IN mm [Inch]		PRD. SPEC.	KINGFONT PRECISION INDUSTRIAL CO., LTD.	
TOLERANCE UNLESS OTHERWISE SPECIFIED		PKG. SPEC.	TITLE	CUSTOMER DRAWING
.X±	X*±	APPROVE <i>Gany</i>	0.3mm Pitch FPC Conn. (H=0.9)	FILE NO. _____ DWG NO. FPCT8-Zxx01D319
.XX±	.X*±	CHECK <i>Ming</i>	SIZE A4	
.XXX±	XX*±	DRAW <i>Ming</i>	SCALE 10:1	PROJ. SHEET 4 / 5 REV A

1 2 3 4 5 6 7 8

REV	MODIFICATION	DATE	DRAW

F
E
D
C
B
A

F
E
D
C
B
A

紙板(上)
PASTEBOARD(UPPER)
(2)

塑膠袋
PLASTIC BAG
(4)

三角隔板
TRIANGLE PARTITION
(3)

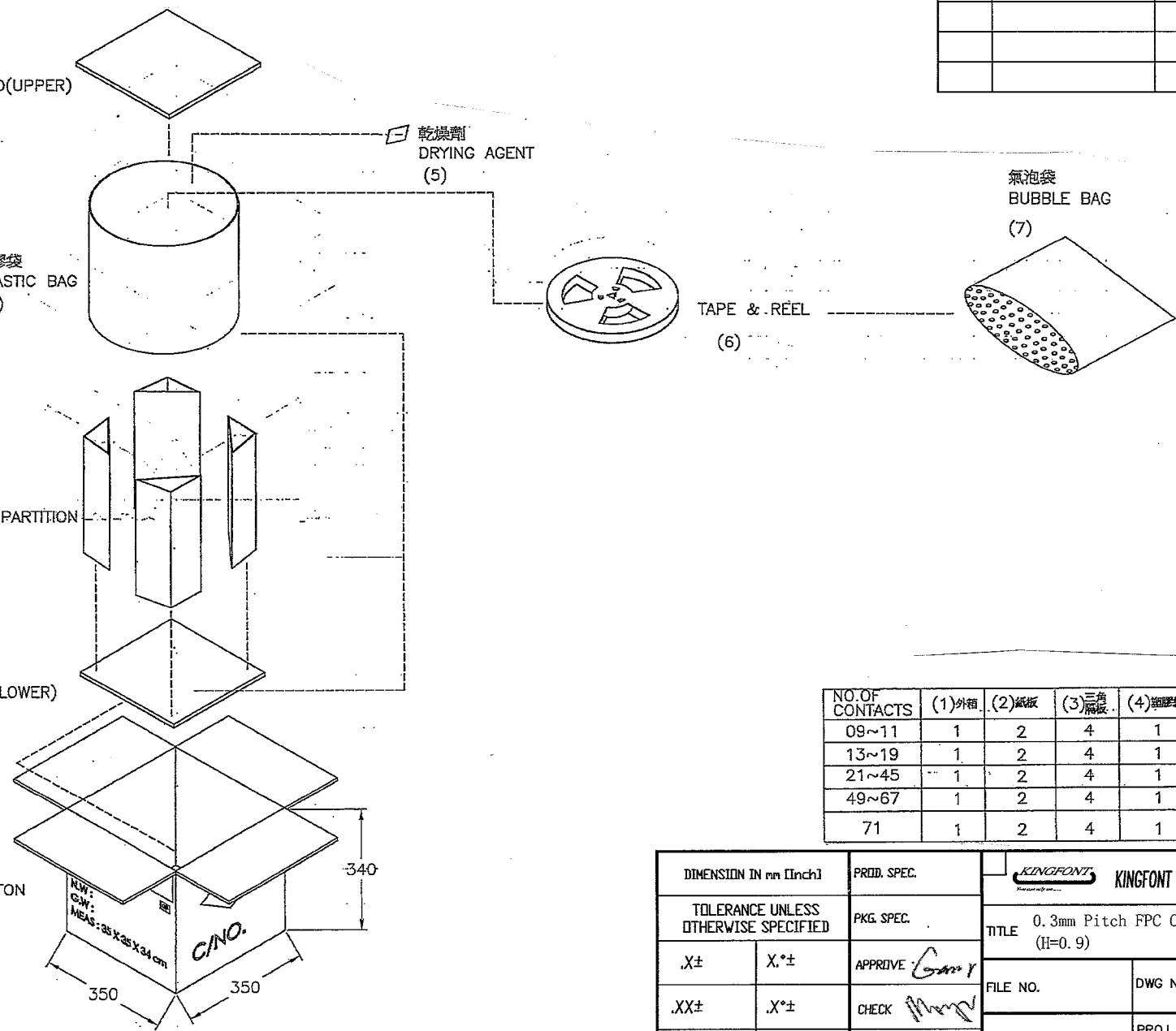
紙板(下)
PASTEBOARD(LOWER)
(2)

外箱
CARTON
(1)

乾燥劑
DRYING AGENT
(5)

TAPE & REEL
(6)

氣泡袋
BUBBLE BAG
(7)



NO. OF CONTACTS	(1)外箱	(2)紙板	(3)三角隔板	(4)塑膠袋	(5)乾燥劑	(6)膠帶	(7)氣泡袋
09~11	1	2	4	1	1	10	10
13~19	1	2	4	1	1	9	9
21~45	1	2	4	1	1	7	7
49~67	1	2	4	1	1	6	6
71	1	2	4	1	1	5	5

DIMENSION IN mm (Inch)		PROD. SPEC.	KINGFONT PRECISION INDUSTRIAL CO., LTD.	
TOLERANCE UNLESS OTHERWISE SPECIFIED		PKG. SPEC.	TITLE 0.3mm Pitch FPC Conn. (H=0.9) CUSTOMER DRAWING	
.X±	X.*±	APPROVE <i>Cam Y</i>	FILE NO.	DWG NO. FPCT8-Zxx01D319
.XX±	.X.*±	CHECK <i>Mmp</i>	SIZE A4	PROJ. SHEET 5 / 5
.XXX±	XX.*±	DRAW <i>Mmp</i>	SCALE 10:1	REV A

1 2 3 4 5 6 7 8 QR-2100-043