

Modular worm gear unit

SN5VH

Experience our new modular worm gear, which offers a variety of mounting options and can therefore be adapted to all your needs.

| PRODUKTMERKMALE | |
|--------------------|---|
| Housing material | Aluminium casting housing |
| Output flange | Hole circle \varnothing 50 mm - 4xM5 Centering \varnothing 40 mm |
| Output shaft | \varnothing 15 mm |
| Solid output shaft | Plug-in left, right or two-sided |
| Flange (optional) | <ul style="list-style-type: none"> \varnothing100x80x60 mm left or right |
| Mounting options | Various mounting options |
| Dimensions | 75x62x80 mm |
| Weight | 850 g |

ADVANTAGES

- Compact design
- Various mounting options
- Customising
 - Flange left / right
 - Stub shaft
 - Hollow shaft
 - Two-sided shaft
- Modular design



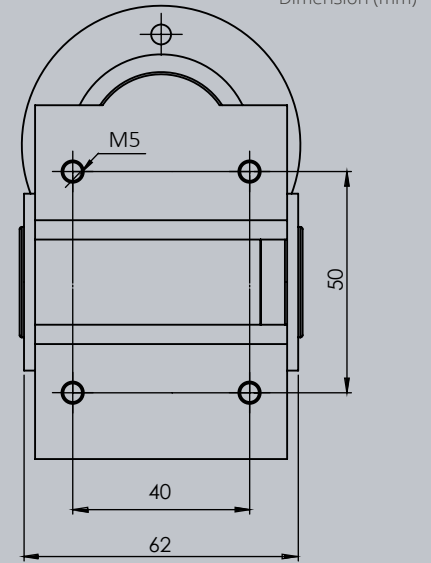
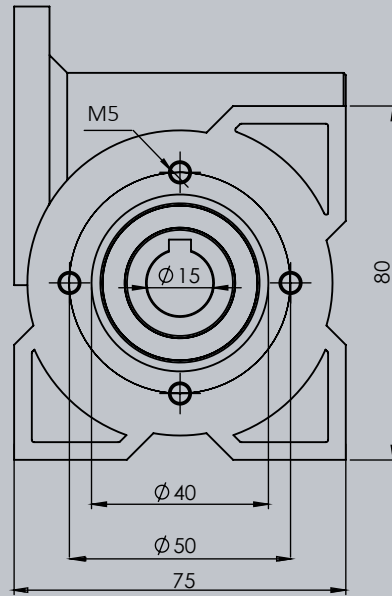
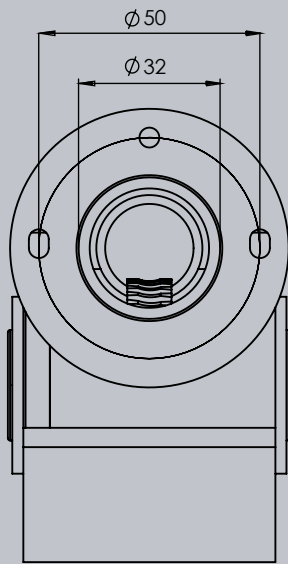
RUHRGETRIEBE

We are happy to configure together with you!

With the preconfigured basic components based on our many years of experience, you can implement your drive task particularly quickly.

Should your application make special demands on the drive unit, we naturally offer you competent advice and will be happy to assist you in configuring your drive unit

TECHNICAL DATA

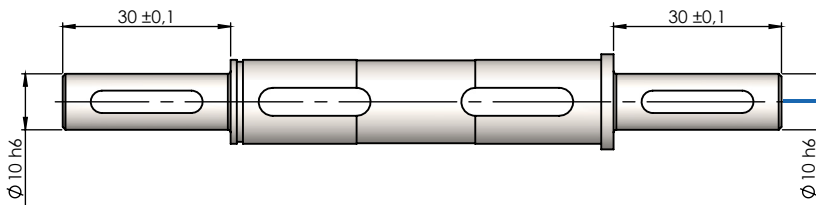


Dimension (mm)

PERFORMANCE DATA

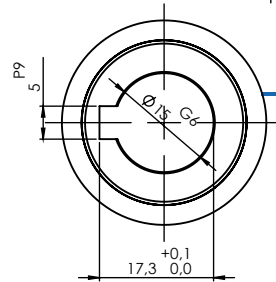
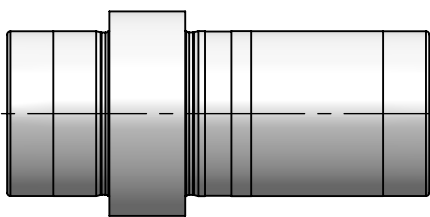
| | | |
|--------------------------------|---------------------|----------------|
| Motor power range | W | from 32 to 120 |
| Gear reduction | i | from 7 to 50:1 |
| Output speed | U/min ⁻¹ | from 28 to 400 |
| Max. permissible output torque | Nm | from 11 to 12 |

CUSTOMISING Optional accessories



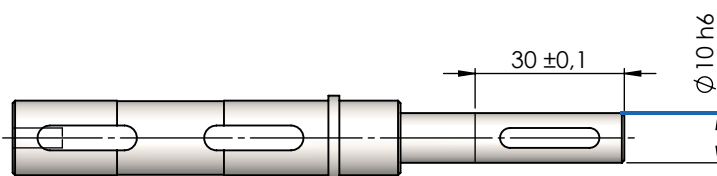
Two-sided shaft

with diameter Ø 10x30 mm; 4 mm grooved



Hallow shaft

with diameter Ø 15 mm



Stub shaft for flange version

with diameter Ø 10 or 12 mm

We move your ideas - worldwide.



RUHRGETRIEBE

Ruhrgetriebe KG

Am Förderturm 29
45472 Mülheim a.d. Ruhr
Germany

T: +49 (0) 208 / 78068-0

www.ruhrgetriebe.de | info@ruhrgetriebe.de