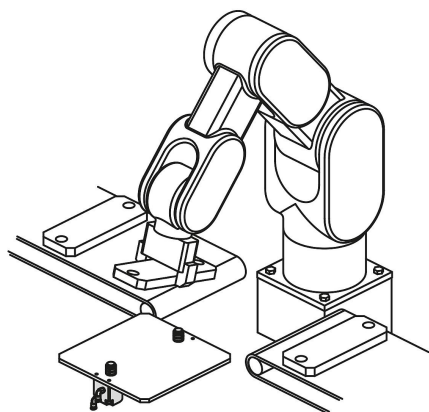
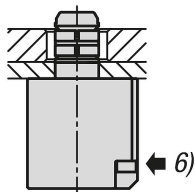
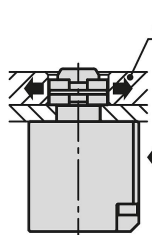
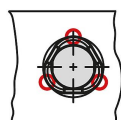
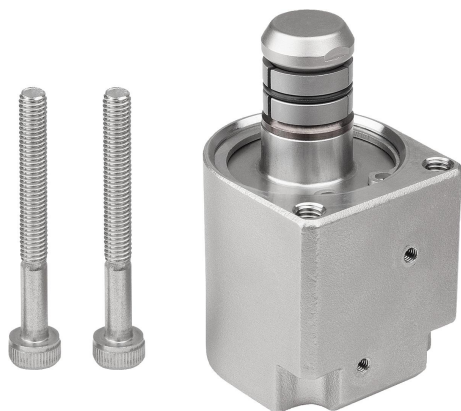


Item description/product images



Description

Product description:

Workpieces are clamped and released by compressed air.
The possible clamping diameter is from 16 to 20 mm.

Material:

Body, stainless steel.
Seal, NBR.

Version:

Stainless steel bright.

Note for ordering:

Cylinder head screws M4X35 for fastening from below are included with delivery.
Cylinder head screws with low head M5 for fastening from above are not included with delivery.

Note:

Installed dimensions for plate thickness 6 mm.

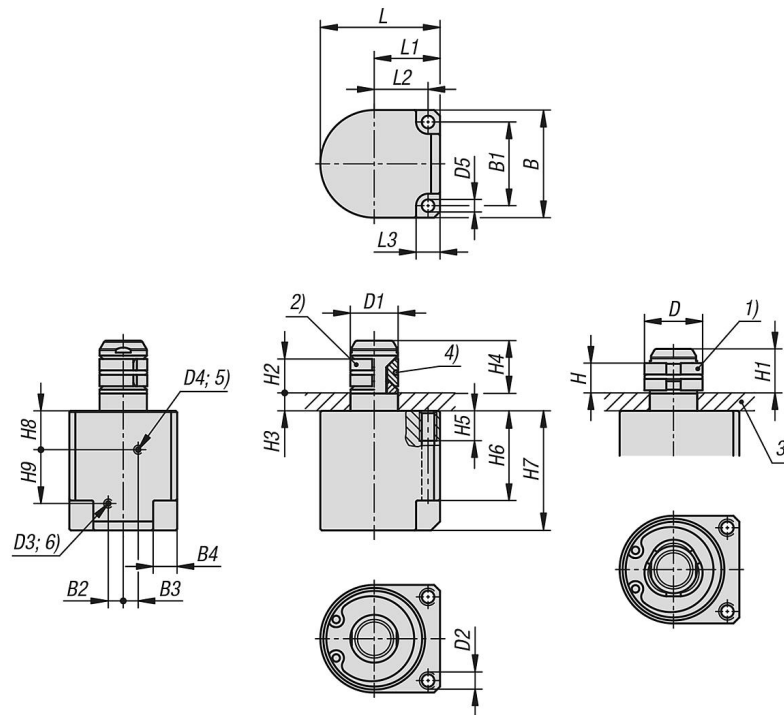
The stated retaining forces are related to an operating pressure of 0.5 Mpa and a surface quality of Ra 1.6 µm.

Repeat accuracy in this case is ±0.2 mm.

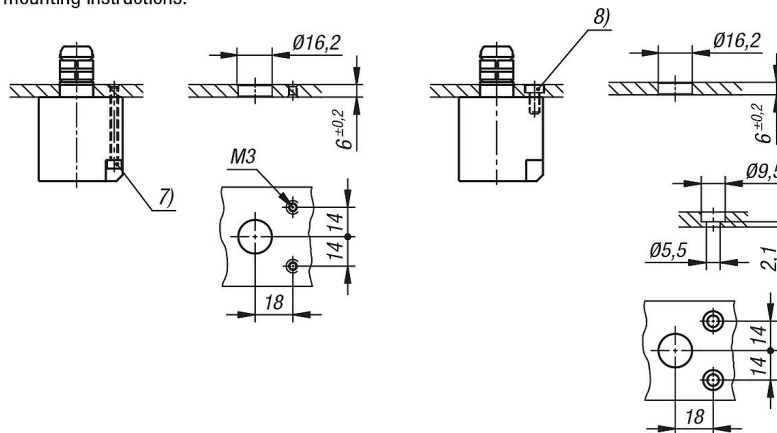
Drawing reference:

- 1) "Clamping" position
- 2) "Release" position
- 3) Mounting plate
- 4) O-ring
- 5) "Clamping" connection
- 6) "Release" connection
- 7) Cylinder head screw M4
- 8) Cylinder screw with low head M5
- 9) Workpiece

Drawings



mounting instructions:



Overview of items