

TD27/28 SERIES

TD27

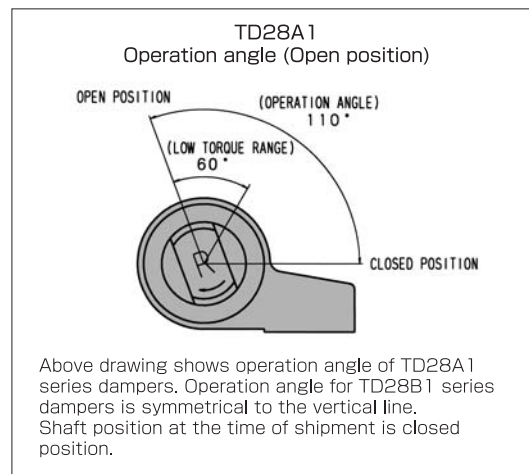
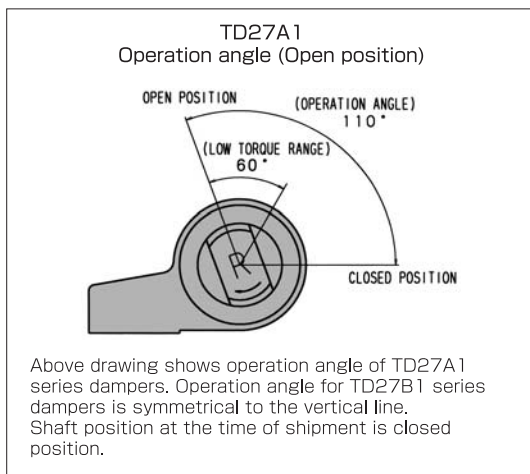
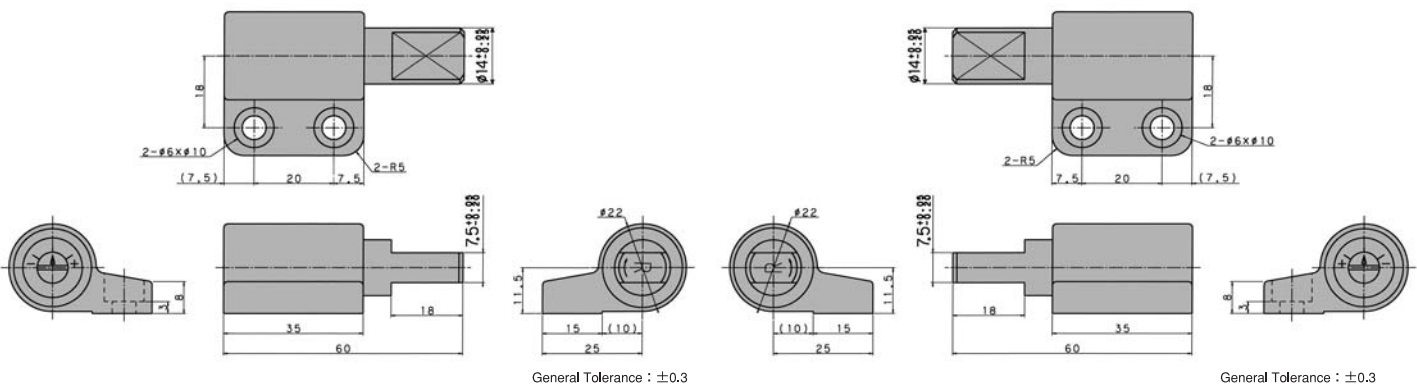


TD28



FEATURES

- RoHS compliance
- TD27/28 DAMPERS have the torque adjustment device and torque adjustment of TD27/28 DAMPERS is easy.
- By combining with exclusive brackets, TD27/28 DAMPERS can be used as hinges.



Code	Part No.	Allowable Torque [N·m] (Kgf·cm)	Direction
600270	TD27A1-5/13K	[0.49~1.27] (5~13)	CW (R)
600271	TD27B1-5/13K		CCW (L)
600272	TD27A1-10/20K	[0.98~1.96] (10~20)	CW (R)
600273	TD27B1-10/20K		CCW (L)

Code	Part No.	Allowable Torque [N·m] (Kgf·cm)	Direction
600280	TD28A1-5/13K	[0.49~1.27] (5~13)	CW (R)
600281	TD28B1-5/13K		CCW (L)
600282	TD28A1-10/20K	[0.98~1.96] (10~20)	CW (R)
600283	TD28B1-10/20K		CCW (L)

TOK BEARING CO.,LTD.

HEAD OFFICE, TOKYO, JAPAN – TEL : 81-3-3969-1534 FAX : 81-3-3969-9354
EMAIL : overseas@tok-bearing.co.jp

Product specification are subject to change without prior notice.

Before assembly or use of any bearing, please read "Caution for Use"