

Compression latch 'Double Red' with or without visual opening indicators for storage cases

PROGRAM 1000



Product description:

The compression latch has two optical opening indicators. These consist of the indicator of the clip-in cylinder and the second indicator for the position of the handle. In case the opening indicator on the sleeve and the clip-in cylinder is visible, the compression latch is unlocked. The same is true for the opening indicator between handle and housing. In case the opening indicator is visible, the compression latch is compressed.

Basic

The Basic versions are the new, cost-optimized variants of the compression latch, which do without the optic opening indicators.

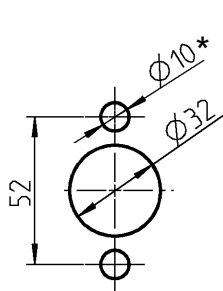
In addition to the basic variant in ECO black, a UV-stabilized variant in white is also available.



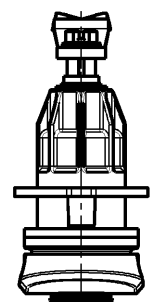
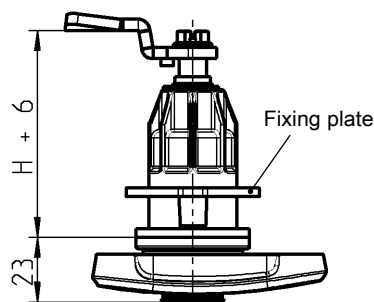
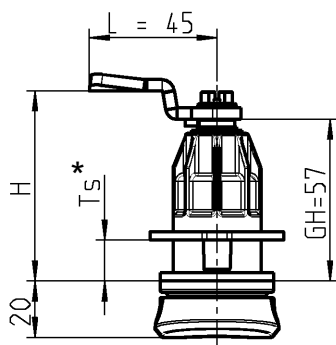
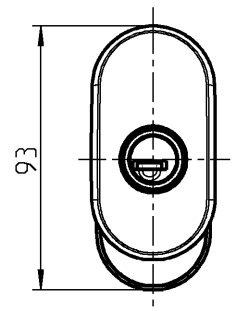
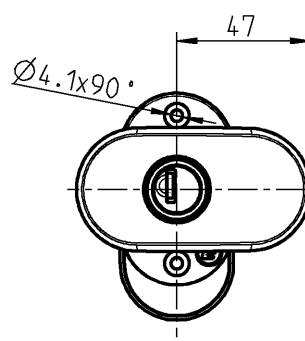
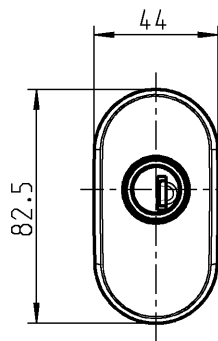
'Double Red'
with visual opening indicators

Basic
ECO black

Basic white
(UV-stabilised)



Cut out



* Attention:
When the fixing plate is turned over, the cut out holes are decreased from $\text{Ø}10$ auf $\text{Ø}4.1$.
The Maximum value of the T_s dimension is decreased by -10 mm.

Tamper and vibration proof

The compression latch is vibration-proof according to DIN EN 61373.

Depending on the installation location and operational conditions, specific checks are necessary and/or supplementary measures of fastening required.

Compression latch version by choice for clip-in cylinder;
handle PA6 colour by choice; housing PA6 GF colour by choice;
bush for clip-in cylinder zinc-die zinc-coated;
adapter, cog and locking shaft zinc-die;
fixing plate POM black; screw, circlip and pin m.s. zinc coated;
with spring and seal; key can be removed in both positions

Clip-in cylinder	'Double Red' with visual opening indicators	Basic ECO black	Basic white (UV-stabilised)
System 1	on request	on request	on request
System 2	1000-U866-02	on request	on request
System 3	1000-U866-03	1000-SU853	1000-SU853-01

Clip-in cylinder 3 zinc die chromated with stainless steel cap; with 2 keys

keyed 8888	9850-U100
Keyed different	9850-U101

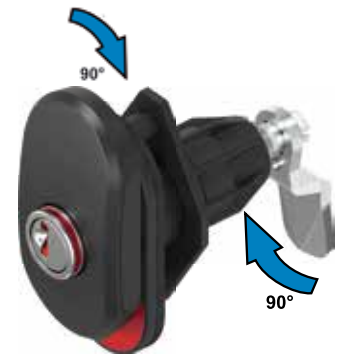
Please order separately:

Cam m.s. zinc plated

Cams with other H and L dimensions on request.

Minimum quantity 2000 pieces

H	Ts	GH = 57 mm
43	17 - 38	1000-112
45	17 - 40	1000-22
47	17 - 42	1000-113
49	17 - 44	1000-21
52	17 - 47	1000-20
53	17 - 48	1000-19
55	17 - 50	1000-18
57	17 - 50	1000-17
59	17 - 50	1000-16
61	17 - 50	1000-15
63	17 - 50	1000-14
64	17 - 50	1000-27
65	17 - 50	1000-50
67	17 - 50	1000-13
69	17 - 50	1000-28
71	17 - 50	1000-26
73	17 - 50	1000-12
74	17 - 50	1000-11
75	17 - 50	1000-51
77	17 - 50	1000-52
79	17 - 50	1000-25
81	17 - 50	1000-53
83	17 - 50	1000-54
84	17 - 50	1000-10
86	17 - 50	1000-55
89	17 - 50	1000-56



Open
By a rotation of the handle of 90°, the cam rotates.



Closed
By further rotation of the handle of 90° the cam moves 6 mm in axial direction.



Compressed
Open:
Reversed motion