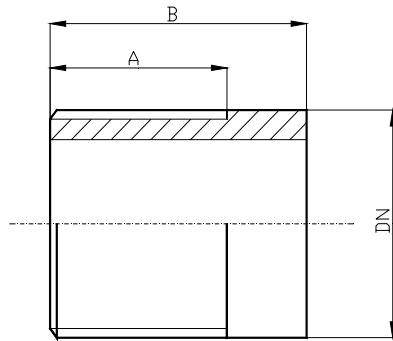


# RACCORDERIA FILETTATA

## THREADED FITTINGS

### TRONCHETTI

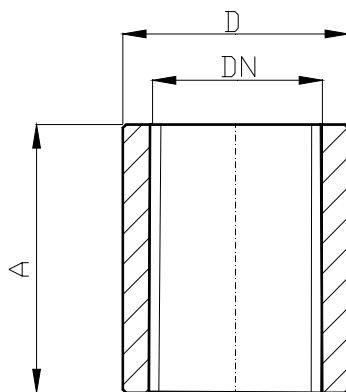
STUB PIPE



DN	A	B
1/8"	10	20
1/4"	10	20
3/8"	14	22
1/2"	17	25
3/4"	18	30
1"	20	35
1 1/4"	20	40
1 1/2"	20	45
2"	22	45
2 1/2"	25	50
3"	25	50
3 1/2"	28	50
4"	30	60

### MANICOTTI

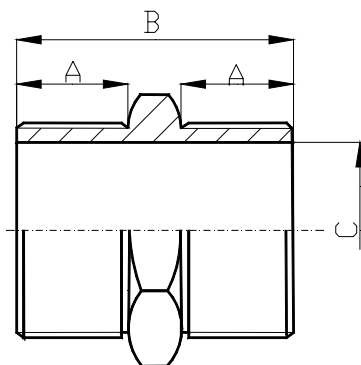
SOCKETS



DN	D	A
1/8"	14	18
1/4"	18	18
3/8"	22	20
1/2"	26/28	25
3/4"	32/35	30
1"	40	35
1 1/4"	48/50	40
1 1/2"	55	40
2"	68/70	43
2 1/2"	83/85	45
3"	96/98	45
3 1/2"	114	50
4"	125	60

### NIPPLI ESAGONALI

NIPPLES

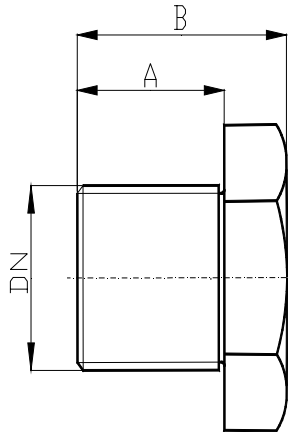


DN	A	B	C	CHIAVE
1/8"	10	28	6	12
1/4"	11	30	8,5	15
3/8"	11,5	33	12	20-22
1/2"	13,5	38	15	24
3/4"	14,5	42	20	30-32
1"	16	46	25	35-36
1 1/4"	17	50	32	45
1 1/2"	21	58	40	50
2"	22	62	50	65-70

Disponibili in acciaio inox AISI 304L - AISI 316L  
 Available in stainless steel AISI 304L - AISI 316L

## TAPPO MASCHIO

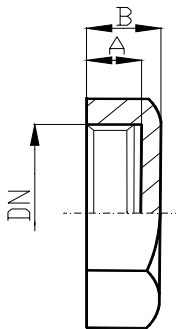
PLUG



DN	A	B	CH
1/4"	10	20	15
3/8"	11	20	20-22
1/2"	12	23	24
3/4"	13	26	30-32
1"	15	28	35-36
1 1/4"	16	31	45
1 1/2"	20	35	50
2"	22	38	65-70

## TAPPO FEMMINA

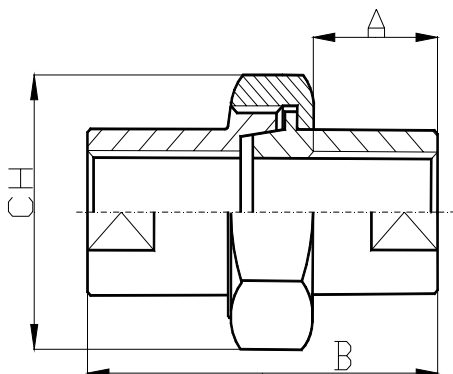
CAP



DN	A	B	CH
1/4"	12	17	20
3/8"	12	17	22
1/2"	14	19	27
3/4"	15	20	35-36
1"	17	22	40
1 1/4"	19	25	50
1 1/2"	23	29	55
2"	24	32	70

## BOCCHETTONE IN TRE PEZZI

UNION IN 3 PIECES

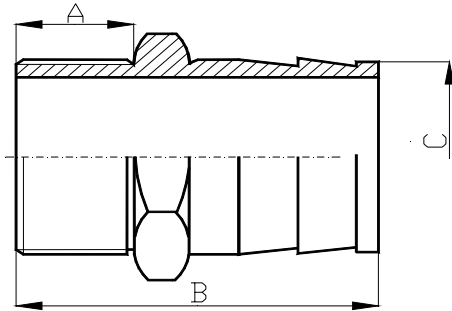


DN	A	B	CHIAVE
1/8"	11	36	28
1/4"	15	44	32
3/8"	17	46	36
1/2"	18	50	43
3/4"	18	55	50
1"	20	58	55
1 1/4"	23	68	65
1 1/2"	25	72	70
2"	27	80	90
2 1/2"	27	87	109
3"	30	90	120
4"	35	104	158

Disponibili in acciaio inox AISI 304L - AISI 316L  
 Available in stainless steel AISI 304L - AISI 316L

## PORTAGOMMA

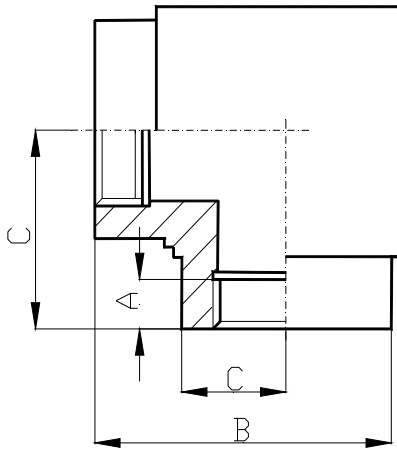
HOSE CONNECTOR



DN	A	B	C	CHIAVE
1/4"	10	46	13	19
3/8"	10	52	16,5	22
1/2"	13	56	21	27
3/4"	13	62	26,5	32
1"	14	68	33	41
1 1/4"	15	76	42	50
1 1/2"	20	86	48	55
2"	20	100	60	65-70

## GOMITO 90°

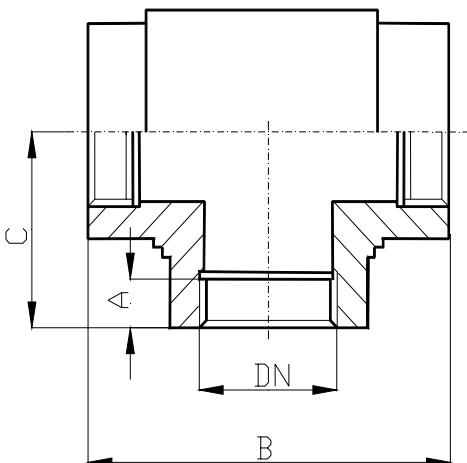
90° ELBOWS



DN	A	B	C
1/8"	11	30	20
1/4"	11	30	20
3/8"	14	35	23
1/2"	14	45	30
3/4"	16	50	32,5
1"	16	55	35
1 1/4"	17	69	44
1 1/2"	22	77	49
2"	25	95	60

## RACCORDO A T

TEES



DN	A	B	C
1/8"	11	40	20
1/4"	11	40	20
3/8"	14	45	23
1/2"	14	60	30
3/4"	16	65	32,5
1"	16	70	35
1 1/4"	17	87	44
1 1/2"	22	98	49
2"	25	119	60

Disponibili in acciaio inox AISI 304L - AISI 316L  
Available in stainless steel AISI 304L - AISI 316L