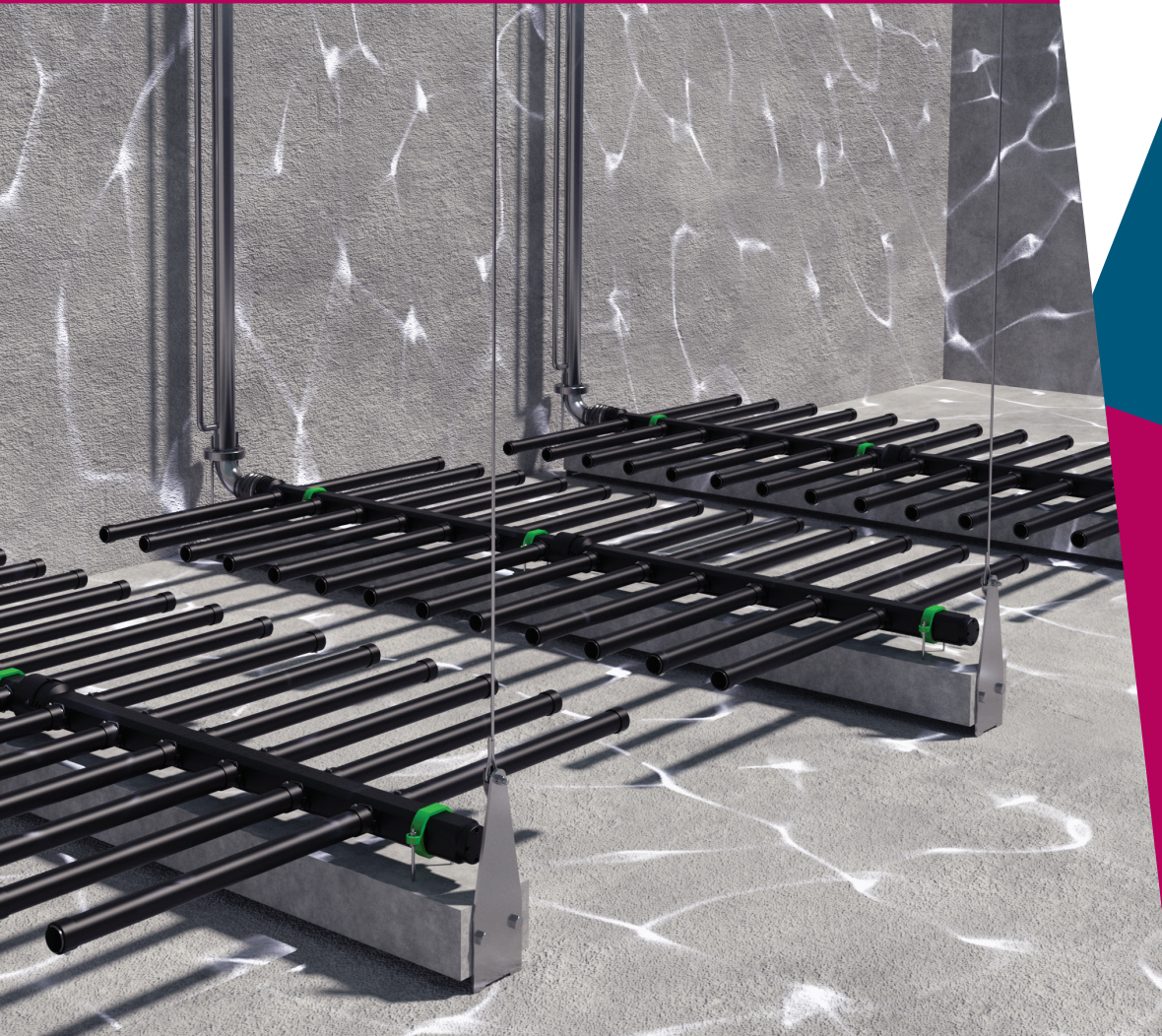


SUBMERSIBLE  
AERATION



# NOEMI<sup>®</sup>

REMOVABLE DIFFUSER GRIDS



FINE BUBBLE AERATION  
SYSTEM - FIXED OR  
REMOVABLE

 Europelec



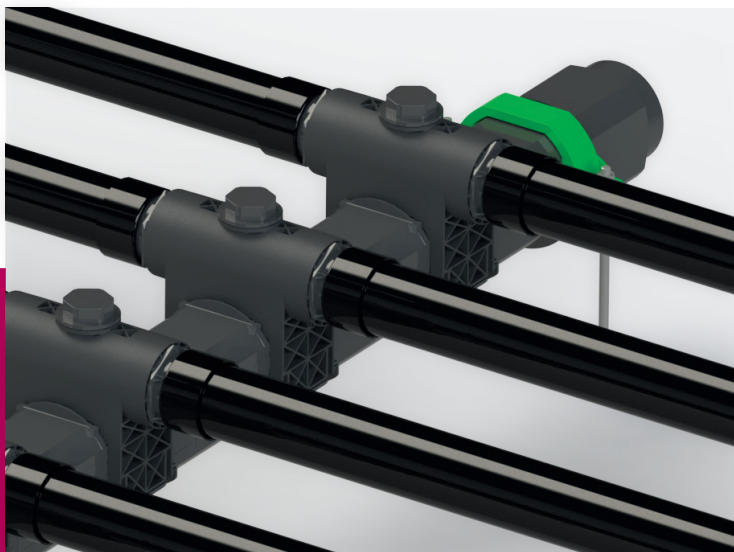
## MAIN CHARACTERISTICS

Polypropylene feeder for grids in bioreactors and degreasing tanks

Suitable for both municipal and industrial wastewater treatment plants.

Allows the installation of Aquadisc® 250 / 305 / 320 and Aquatube® 70 diffusers.

Diffusers are known for their excellent temperature resistance, recyclability, and longevity.



With Aquatube



# ADVANTAGES

DIFFUSER GRIDS AND SYSTEM CAN BE MOBILISED VERY QUICKLY

MATERIALS OF CONSTRUCTION IS WITH CORROSION PROOF

COMPLETELY RECYCLABLE

RESISTANT TO MANY VARIOUS CHEMICALS AND ABRASION.

SIMPLE AND QUICK TO ASSEMBLY / NO MAINTENANCE

CAN BE INSTALLED IN SITU WITHOUT HAVING TO DRAWIN THE TANKS

EXTREMELY COMPETITIVE COMAPAIED WITH OTHER SIMILAR SOLUTIONS

SUITABLE FOR E.G., HIGH SALT LEVEL EFFLUENTS

COMPATIBLE WITH HIGH TEMPERATURES (UP TO 100°C)

CAN BE PROVIDED AS FIXED OR LIFTABLE SOLUTIONS

GRIDS CAN BE DESIGNED IN ACCORDANCE WITH THE PROFILE OF THE TANK.

PROFILED BRACKET SHAPE TO SUPPORT AND LOCK THE MODULE BODY IN ROTATION AND TO ENSURE THE STABILITY OF THE GRID IN THE TANK.

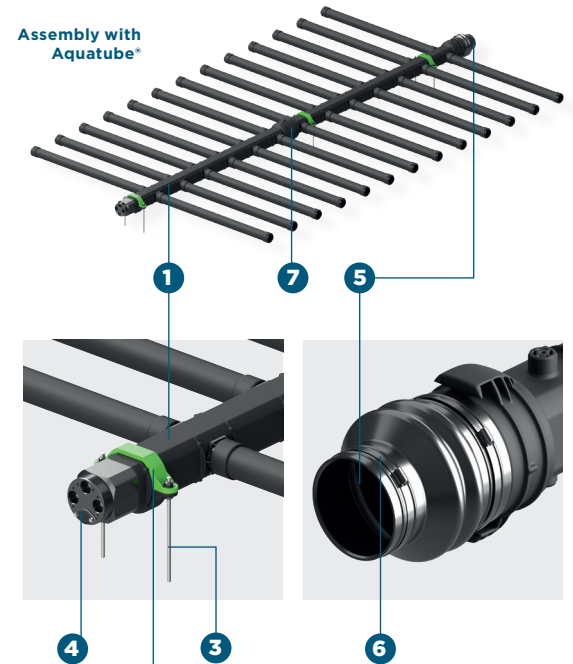
POSSIBILITY TO COMBINE SEVERAL NOEMI UNITS TO A SINGLE STAINLESS-STEEL MANIFOLD

# COMPONENTS

Glass Fibre reinforced polypropylene feeder.

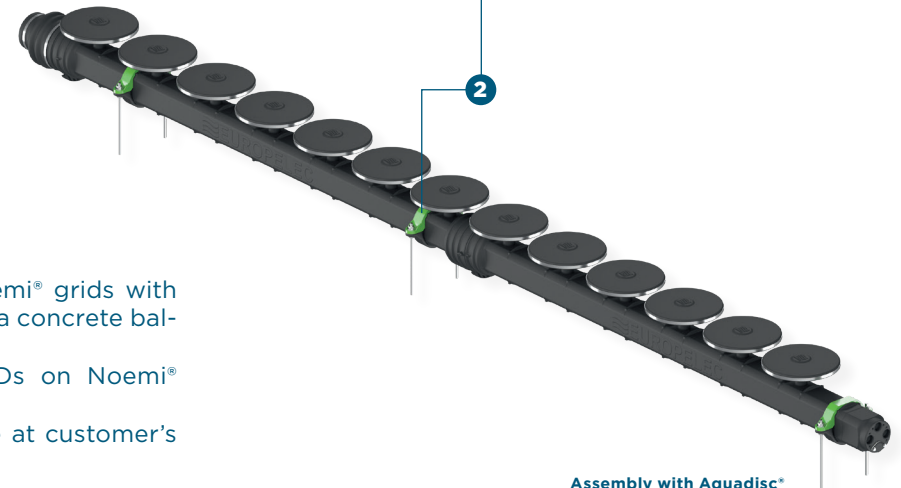
- 1 Noemi® module body, highly resistant to chemical and abrasive attack - standard length tubes of 2 m, which can be designed to fit many tanks configurations
- 2 Polypropylene support and fixing brackets mounted on stainless steel anchor rods - the profiled shape of the bracket allows the module body to be locked in rotation and ensures its stability in the tank
- 3 All stainless-steel fixi
- 4 Drain plug
- 5 EPDM connection sleeve: the connection to the air inlet is made with a simple push-fit
- 6 Stainless steel clamps
- 7 Connection between feeders by quarter-turn bayonet fitted with a silicone gasket to ensure an effective seal between elements

Assembly with Aquatube®



# OPTIONS

- The ballasting of the Noemi® grids with feeders can be done with a concrete ballast
- Liftable solution for AQDs on Noemi® with metal frames
- Assembly services on site at customer's request



Assembly with Aquadisc®



## A STEP AHEAD IN WATER TECHNOLOGY

[sfa-enviro.com](http://sfa-enviro.com)

 [@sfa\\_enviro](https://twitter.com/sfa_enviro)

 **SFA** GROUP

