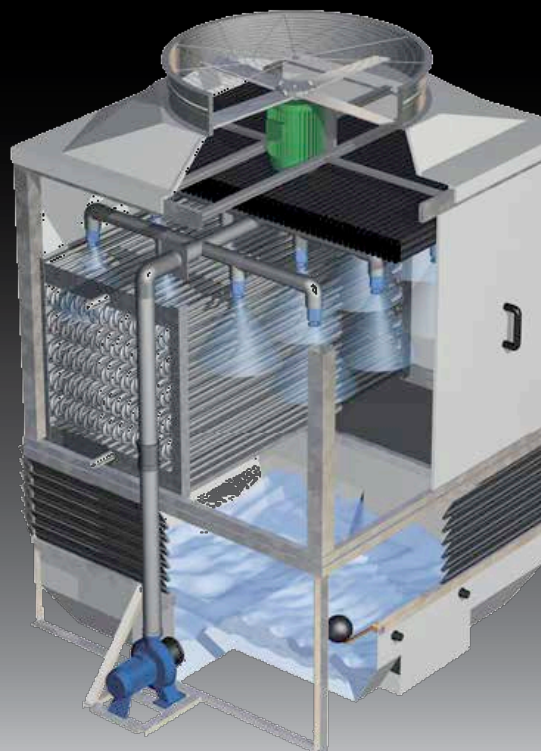




MCE

Evaporative condensers



EVAPORATIVE CONDENSERS MCE SERIES



Evaporative condensers MCE Series

The MCE series evaporative condensers can be employed in air conditioning and industrial refrigeration installations, representing in their operation an alternative to the classical water-cooled condenser with evaporative cooling tower or systems with aircooled finned coils. The refrigerant gas to be condensed is fed to the upper header of a coil of smooth-surface tubes which, continuously wetted by water appropriately sprayed and in contact with an adequate countercurrent airflow, permits the progressive condensation of the gas. The gas, thus cooled and condensed to the liquid state, can be returned via the lower header to the installation. Hence the evaporative condenser, in the context of water-cooled condensing systems combines the “open circuit cooling tower condenser” system in a single and compact unit exploiting, inside the unit, the forced evaporation of a small quantity of the recirculating spray water to achieve the heat load rejection which is necessary to condensate the refrigerant gas.

Construction features

Fitted with one or more axial fans according to the model, the MCE series is built with a strong supporting structure in hot-dip galvanised steel and side walls made of fibreglass sandwich panels. The internal heat exchanger is composed of smooth-tube coils, fabricated in compliance with PED directive 2014/ 68/UE. The standard configuration is completed by the water collecting basin and the fan stacks made entirely of fibreglass (FRP). The range includes several models suitable for installations with requested refrigeration capacities between approx. 80 and 3800 kW.

For all models several option items are available, such as:

- Different solutions to reduce sound emissions
- Totally removable side walls for an easy and total access to the internal parts, to simplify inspection, cleaning or maintenance operations
- Special dimensions for shipment by sea containers.

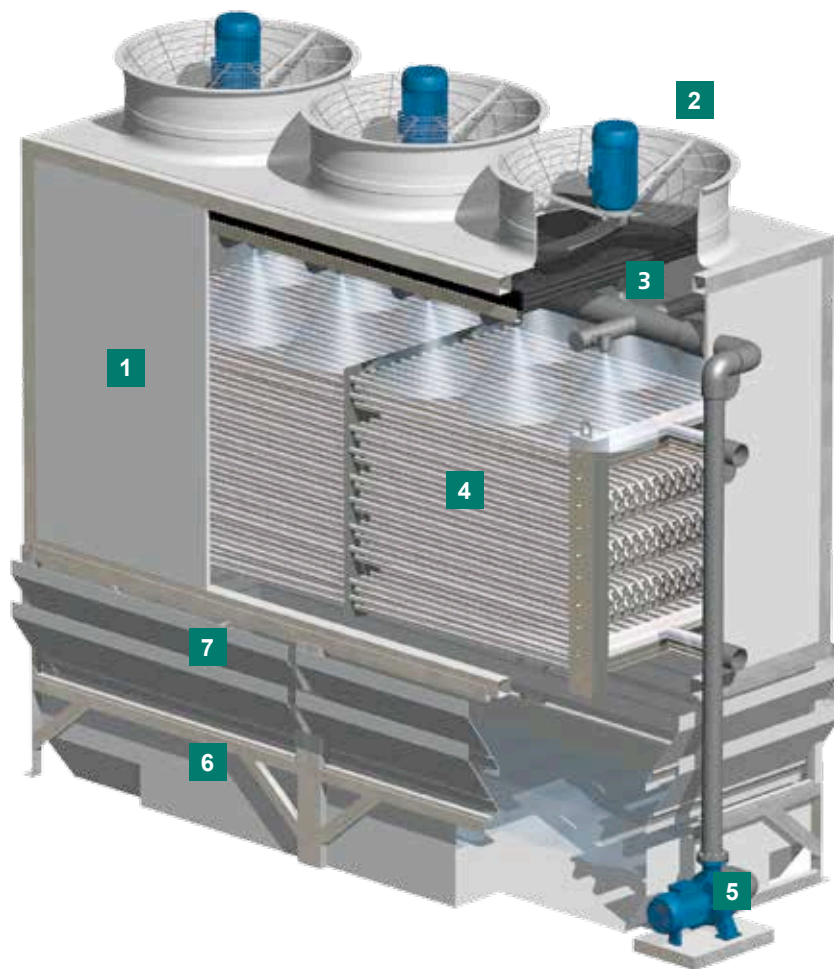
Fields of application

The evaporative condenser serving refrigeration plants can be employed in the following sectors:

- Civil and industrial air conditioning installations
- Industrial logistics
- Refrigerated warehouses (e.g. storage of food products)
- Industrial refrigeration.



CONSTRUCTION FEATURES



1 Structure and main casing

Construction Materials:

steel supporting structure, hot-dip galvanised after fabrication, sandwich panelling in 22 mm thick fibreglass.

Characteristics:

- optimum mechanical resistance
- good sound-absorption properties
- non-corroding
- easy internal inspection (with optional totally removable side walls)

Multi-blade axial fan

2

Construction Materials:

hot-dip galvanised steel (support), plastic (fan blades), stainless steel (protective grid).

Characteristics:

- high performance, low absorbed electric power, fan directly driven by the motor
- electrical wiring connections to fan motor/s.

3 Water distribution system

Construction Materials:

normalised PN 10 PVC pipes, polypropylene tangential nozzles.

Characteristics:

- non-corroding
- uniform and complete spraying of the coil, full-cone spray
- exclusive MITA-design nozzles: the water flow is induced in the diffuser cone solely by the tangential connection to the main body of the nozzle, hence there are no internal parts which could cause obstructions.

4 Heat exchange coil (in compliance with PED directive 2014/68/UE)

Construction Materials:

hot-dip galvanised steel (special paintworks on request).

Characteristics:

- large heat exchange surface
- easy maintenance (thanks to the optional totally removable side walls).

5 Centrifugal water recirculating pump and piping of the spray water circuit

6 Basin with sloping bottom and top of the tower

Construction Materials:

glass-mat reinforced orthophthalic polyester resin in several layers.

Characteristics:

- external surface protection by means of a gelcoat resistant to UV-radiation, to cold and hot water, to abrasion from the elements/weather conditions and to chemicals
- internal water-proofing/impermeability obtained by means of an isophthalic, paraffin-containing, impermeable and hydrorepellent gel-coat (for the basin)
- light-weight
- non-corroding.

7 Anti-splash louvers on the air inlet openings

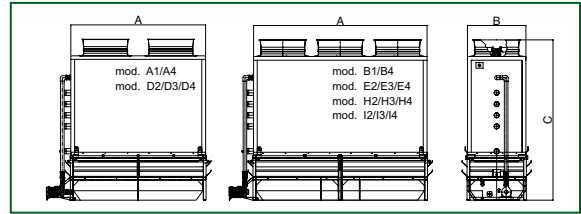
Construction Materials:

PVC or fibreglass..

Characteristics:

- non-corroding
- easy dismantling even after many years in service.

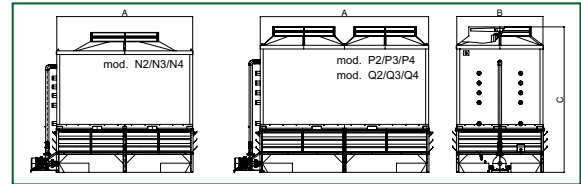
DIMENSIONS AND WEIGHTS



MCE Series

TYPE	WEIGHT		FAN		PUMP	ELECTRIC HEATER*		DIMENSIONS		
	Empty kg	Operation kg	N°	Power kW (each)	Power kW	N°	Power kW (each)	A mm	B mm	C mm
A1	1130-1500	2530-2700	2	1,5	1,1	1	2	1870	1030	3160-3400
A2/A3/A4				2,2						
B1	1530-2070	3200-3820	3	1,5	1,5	1	3	2770	1030	3160-3400
B2/B3/B4				2,2						
D2	1680-2380	3700-4400	2	3,0	2,2	1	3	2850	1235	3250-3480
D3/D4				4,0						
E2/E3/E4	2030-2840	4680-5570	3	3,0	2,2	1	4,5	3670	1235	3250-3480
H2	2450-3440	5460-6600	3	3,0	4,0	1	4,5	3670	1505	3460-3700
H3/H4				4,0						
I2	2880-4220	6660-8130	3	4,0	5,5	1	7,5	4570	1505	3610-3875
I3/I4				5,5						

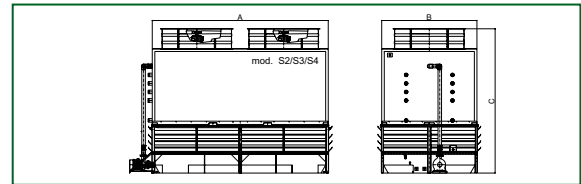
*Optional



MCE Series

TYPE	WEIGHT		FAN		PUMP	ELECTRIC HEATER*		DIMENSIONS		
	Empty kg	Operation kg	N°	Power kW (each)	Power kW	N°	Power kW (each)	A mm	B mm	C mm
N2/N3/N4	3770-4820	8050-9660	1	15	5,5	1	7,5	3620	2360	3650-3890
P2	4140-5980	9900-11900	2	7,5	5,5	2	5	4570	2360	3800-4030
P3/P4				11						
Q2/Q3/Q4	4890-7180	11030-13500	2	11	5,5	2	7,5	5500	2360	3800-4030

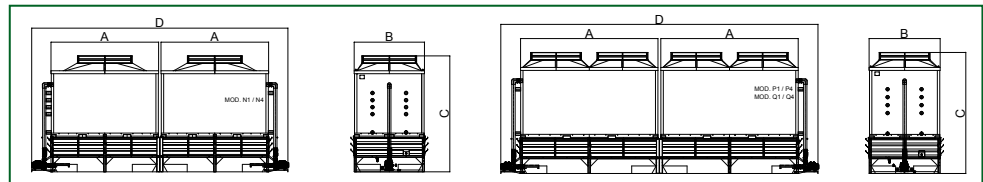
*Optional



MCE Series

TYPE	WEIGHT		FAN		PUMP	ELECTRIC HEATER*		DIMENSIONS		
	Empty kg	Operation kg	N°	Power kW (each)	Power kW	N°	Power kW (each)	A mm	B mm	C mm
S2	5830-8470	14070-17080	2	11	9,2	2	7,5	5470	2960	4285-4560
S3/S4				15						

*Optional



MCE Series

TYPE	WEIGHT		FAN		PUMP	ELECTRIC HEATER*		DIMENSIONS		
	Empty kg	Operation kg	N°	Power kW (each)	Power kW	N°	Power kW (each)	A mm	B mm	C mm
XN2	7600	16730	2	15	2 x 5,5	2	7,5	8620	2360	3650
XN3	8400	17940	2	15	2 x 5,5	2	7,5	8620	2360	3650
XN4	9600	19560	2	15	2 x 5,5	2	7,5	8620	2360	3890
XP2	9280	20640	4	7,5	2 x 5,5	4	5	10560	2360	3800
XP3	10520	22400	4	11	2 x 5,5	4	5	10560	2360	3800
XP4	11660	24100	4	11	2 x 5,5	4	5	10560	2360	4030
XQ2	10960	24720	4	11	2 x 5,5	4	7,5	12820	2360	3800
XQ3	12500	26880	4	11	2 x 5,5	4	7,5	12820	2360	3800
XQ4	14100	29129	4	11	2 x 5,5	4	7,5	12820	2360	4030

*Optional

Technical data not binding, please contacts MITA Technical Dept. for full details



Via del Benessere, 13
27010 Siziano (PV) - Italy
+39 0382.67599 - info@mitact.it