

VNG 371

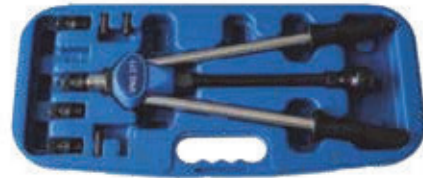
Manual riveting tool for blind rivet nuts and blind rivet studs



MOVIE



Quick-change system for the threaded mandrel.



Easy unscrewing thanks to threaded rod



M3	M4	M5	M6	M8	M10	M12
		Aluminium				
		Steel				
		Stainless steel				



		Steel				
--	--	-------	--	--	--	--

All **HONSEL** lever riveting tools are supplied in an impact-resistant plastic case.



1.2 kg



14.5 mm



Plastic case



595 x 270 x 60 mm



1 conversation kit each for blind rivet nuts in M5, M6, M8, M10
1 threaded sleeve each for RIFBOLT® blind rivet bolts in M5, M6, M8

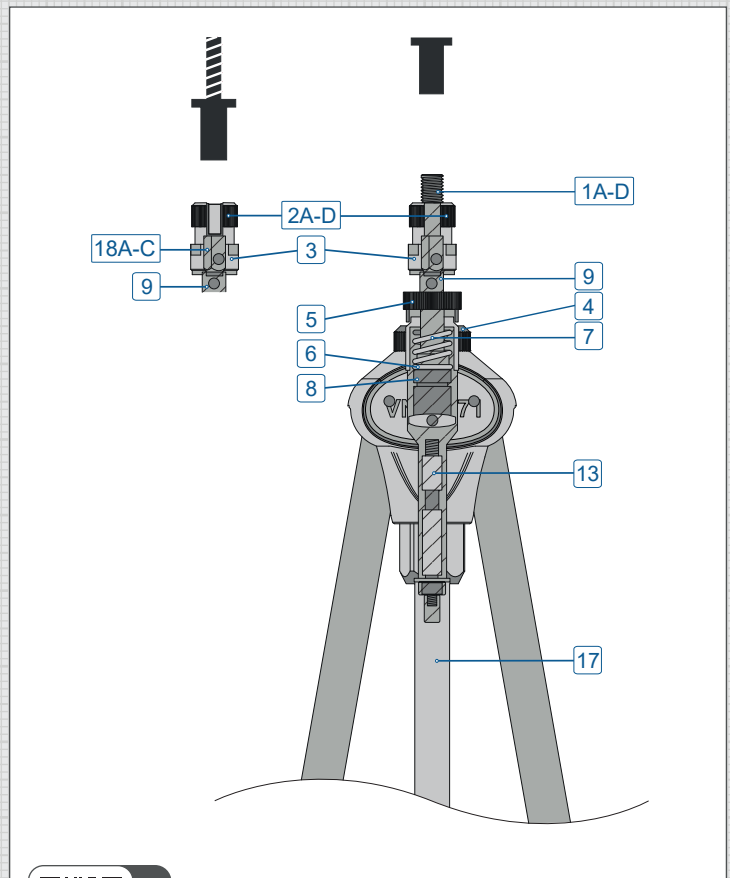
Item no. 310371000000

VNG 371

VNG 371 Spare Parts

No.	Item no.	Spare part
1A	311371000005	VNG 371 mandrel M5
1B	311371000006	VNG 371 mandrel M6
1C	311371000007	VNG 371 mandrel M8
1D	311371000008	VNG 371 mandrel M10
2A	311371000001	VNG 371 nose piece M5
2B	311371000002	VNG 371 nose piece M6
2C	311371000003	VNG 371 nose piece M8
2D	311371000004	VNG 371 nose piece M10
3	311371000012	VNG 371 lock nut nose piece
4	311371000013	VNG 371 stroke adjusting cap
5	311371000015	VNG 371 plastic knurled nut
6	311371000014	VNG 371 o-ring
7	311371000016	VNG 371 pressure spring
8	311371000017	VNG 371 housing tube
9	311371000025	VNG 371 connection sleeve
13	311371000030	VNG 371 feed rod
17	311371000020	VNG 371 stranded rod
18A	311371000009	VNG 371 threaded sleeve M5
18B	311371000010	VNG 371 threaded sleeve M6
18C	311371000011	VNG 371 threaded sleeve M8

Item no.	Spare part
311371000040	Mandrel M6 Folding blind rivet nuts
311371000041	Mandrel M8 Folding blind rivet nuts



INFO

You can also use our interactive ProductViewer to quickly search for the correct spare part.