

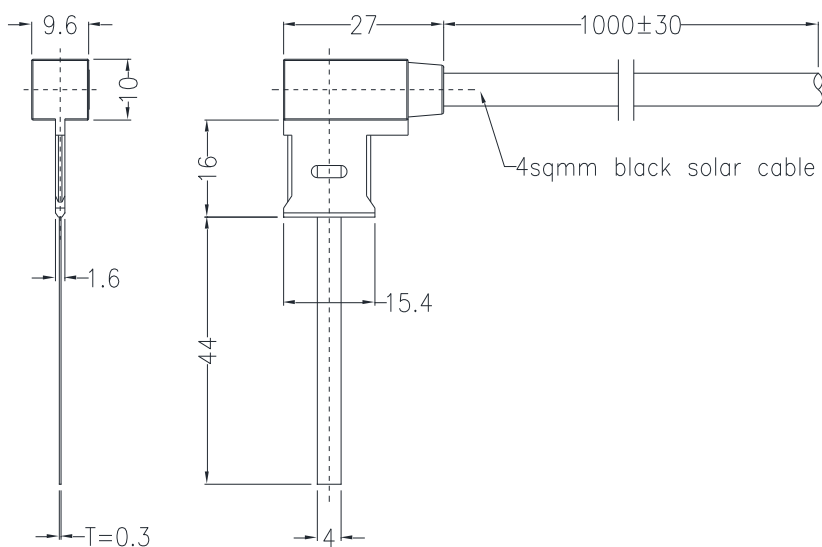
## 双玻组件边连接器 Glass To Glass Edge Connector

### 产品规格 Product Specifications

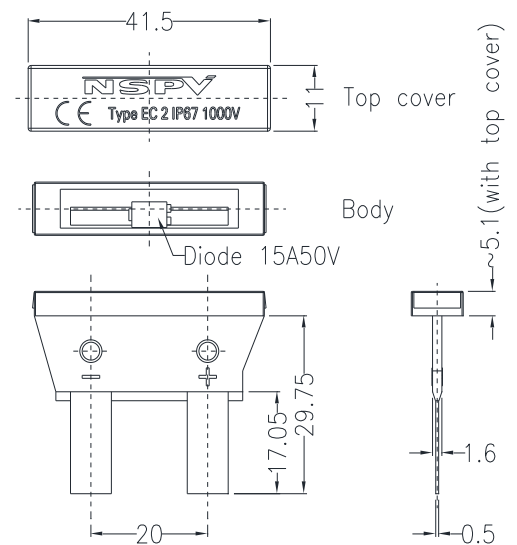
|   |                             |   |   |
|---|-----------------------------|---|---|
| 绝缘材料<br>Insulation material                   | PA/CU                       | 安全等级<br>Safety degree                   | II  |
| 额定电压<br>Rated voltage                         | 1000V&1500VDC               | 阻燃等级<br>Flame class                     | UL94-V0                                   |
| 额定脉冲电压<br>Rated Impulse voltage               | 16KV                        | 安装方式<br>Installation type               | 户外, 抗紫外线(F1)<br>Outdoor, UV resistant(F1) |
| 测试电压<br>Test voltage                          | 8kV(50Hz, 1min)             | 环境温度范围<br>Ambient temperature range     | -40°C...+85°C(IEC)                        |
| 连接器接触电阻<br>contact resistance                 | ≤ 0.25 mΩ                   | 适配电线规格<br>Suitable cable cross sections | 2.5~4mm <sup>2</sup> /14~12AWG            |
| 金属导体材料<br>Contact material                    | 铜, 镀锡<br>Copper, Tin plated | 连接方式<br>Connecting system               | 焊接<br>Soldering                           |
| 保护等级<br>Degree of protection                  | IP68(In potting)            | 温度上限<br>Upper limiting temperature      | 110°C(IEC)                                |
| 过压等级<br>Overvoltage category/Pollution degree | CATIII/2                    | 参考标准<br>Reference standard              | TUV/CE(IEC62852:2014)                     |

### 图示: Drawing:

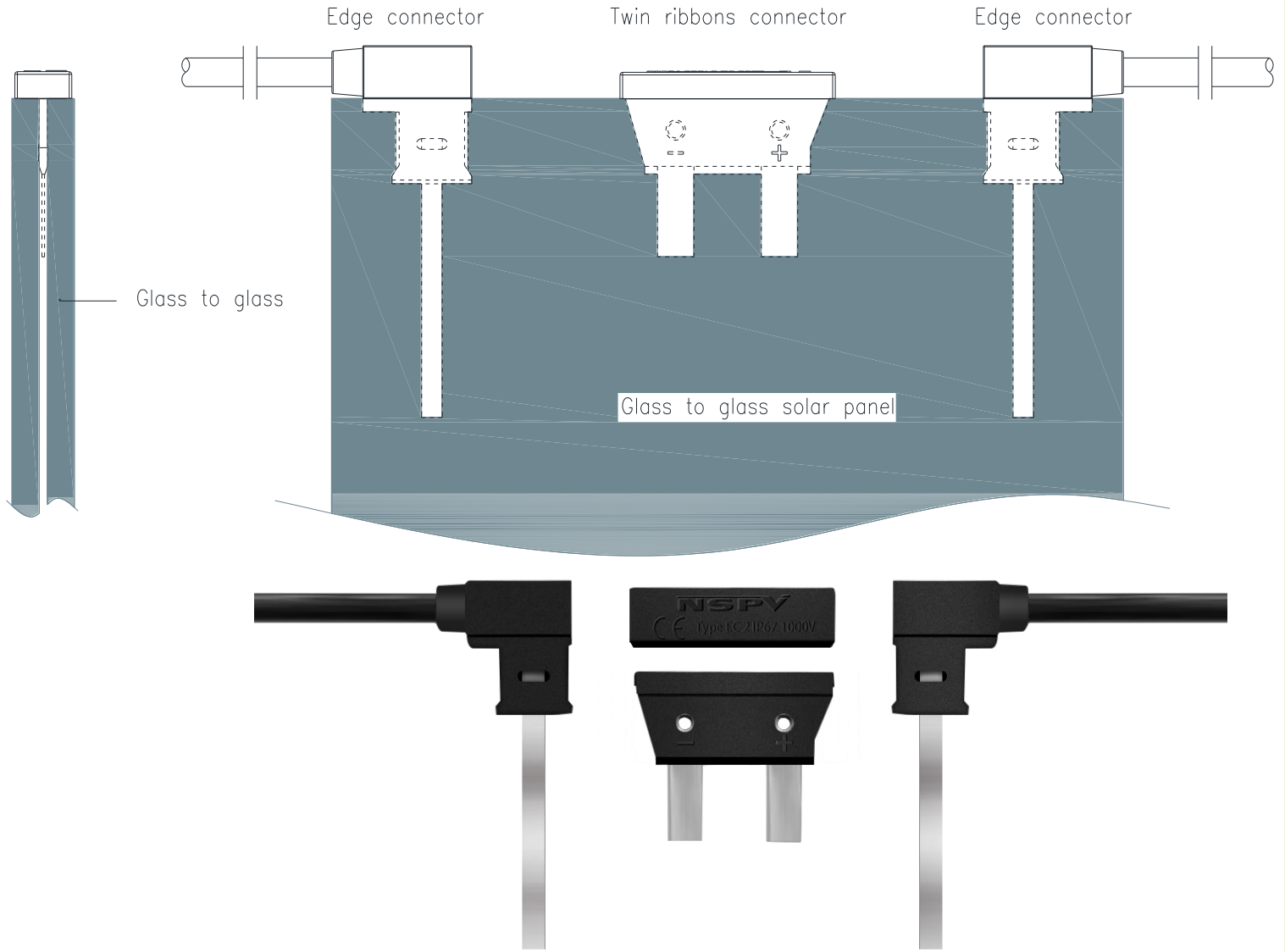
Edge side connector: EC1-xx



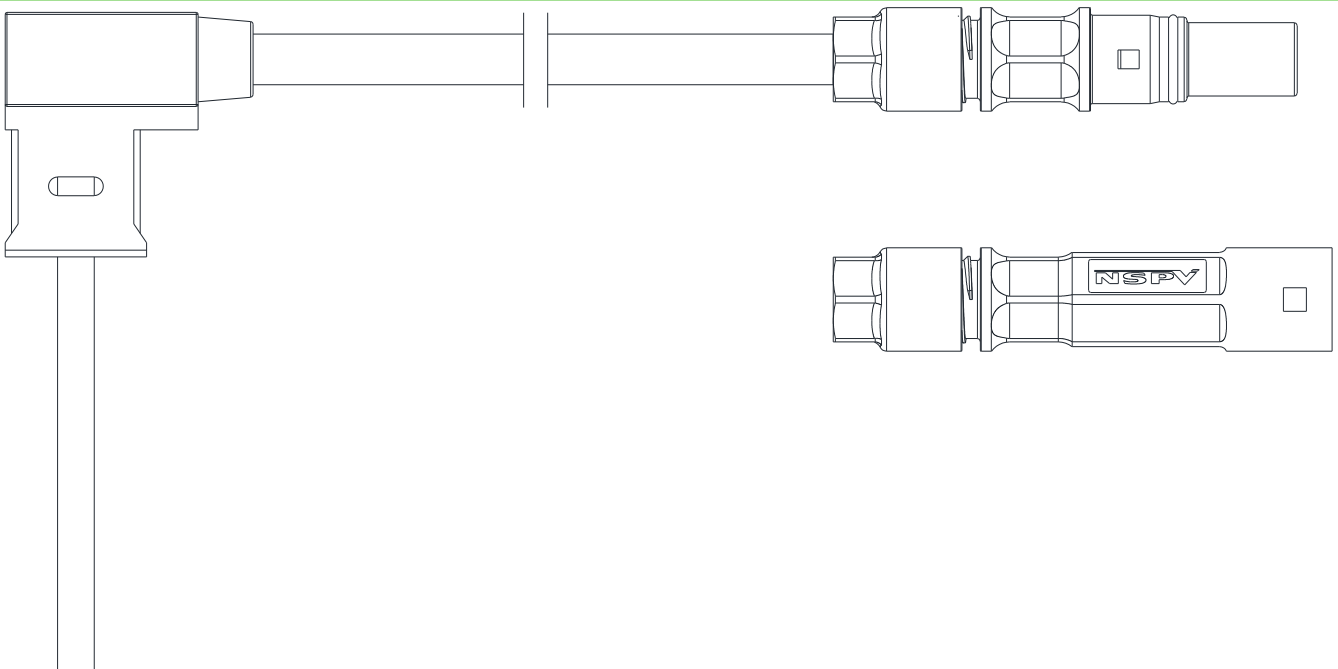
Twin ribbons connector: EC2-xx



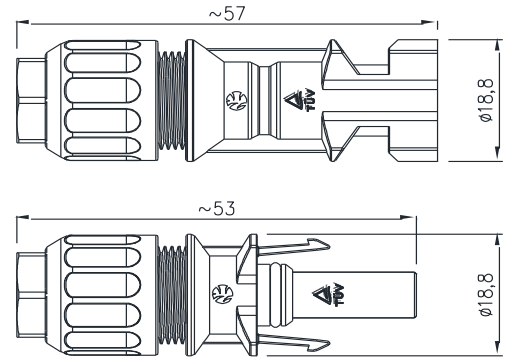
应用:  
Application:



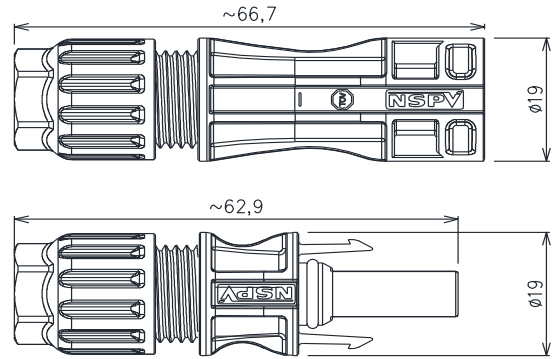
连接器的搭配  
Connector Selection



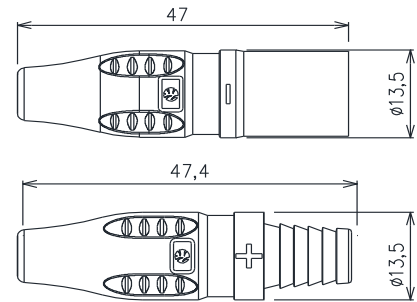
Newsun 1000VDC cable connector:



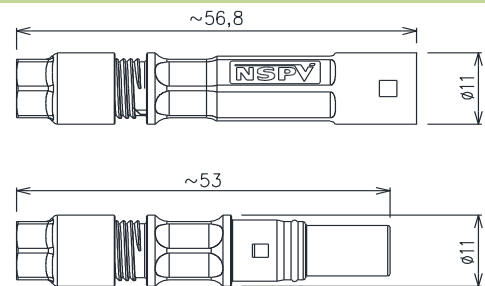
Newsun 1500VDC cable connector:



Newsun 1000VDC PV3.0 cable connector:



Newsun 1000VDC Mini cable connector:



MC4/EVO cable connector

