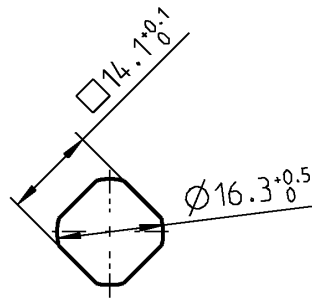
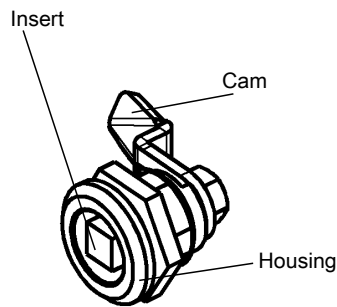
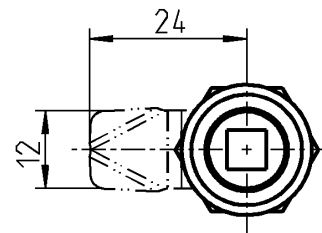
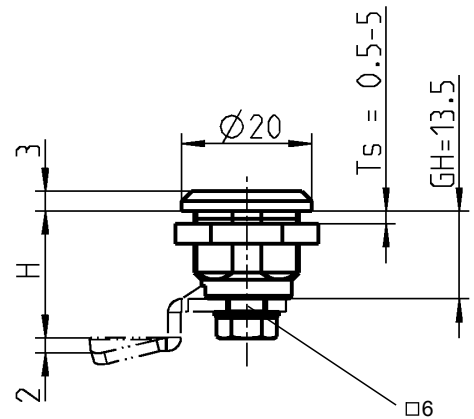




STAINLESS STEEL



Cut out



Application:
Small doors and covers

Further parts see page
– Key 12B-120
– Dust cap 1A-120

Housing with nut AISI 303; with seal

1022-U60

Insert with screw and wave washer AISI 316; with O-Ring

Square 6

1022-U61

Triangular 6,5

1022-U62

Slot 1,5

1022-U63

Blank

1022-U64

Cam AISI 304, t = 2

H = 7,5

1022-20-PC

13,5

1022-07-PC

19,5

1022-08-PC

Assembly on request

with O-ring

1022-991