

# HIGH-PRESSURE JETTING GUN KSP600

## Valve actuated

Z1-1e  
23.02.2023  
Page 1/1

HP - Gun complete with spray tube  
500 mm or 1000 mm and handle  
without hose connector and nozzle)

KSP600 with 500 mm spray tube  
KSP600 with 1000 mm spray tube

Part no. 7002580  
Part no. 7002581

Hose connector G 1/2"  
Hose connector M22x1.5 DKL

Part no. 5040033  
Part no. 1051093

Sleeve G 1/4" for screwed nozzles

Part no. 1050088



### Technical Data

- Max. working pressure 600 bar (60 MPa)
- Max. capacity 80 l/min
- Connection G1/2" female
- Nozzle Connection: G1/4" male
- Length total 650 mm or 1150 mm
- Weight approx. 3 - 4 kg
- Temperature max. 150° C
- Usable nozzle inserts threaded nozzle 1/4" (see page Z 42-1e), only with sleeve 1050088  
orbital nozzle KOD500 (see page Z 40-1/2/3/4e)

### Applications

For manual surface cleaning of all types of forms and materials with nozzle.



For hand-held operation of a spray gun the nozzle diameter must be selected to ensure that the reaction force in the longitudinal axis when used at the max. operating pressure does not exceed 250 N. If the reaction force is in excess of 150 N the gun must be equipped with a support, in compliance with the European Norm EN 1829.

# HIGH - PRESSURE JETTING GUN KSP1500

## Valve actuated

Z 3-1e  
17.08.2022  
Page 1/2

HP - Gun complete with spray tube 750 mm, handle and nozzle holder for insert nozzles (without hose connector and nozzle)

Part No. 7032743



### Optional

Without lance tube

Part No. 7032710



### Additional equipment

Shoulder support  
Initiator for remote control  
Half shell handle  
Hose connection adapter G 1/2"  
Hose connection adapter M22x1.5 DKL  
Hose connection adapter M22x1.5 DKO  
Hose connection adapter G24x1.5 DKO

Part No. 7009215  
Part No. 7017928  
Part No. 7009921  
Part No. 7012416  
Part No. 7009212  
Part No. 7013332  
Part No. 7009213



### Technical Data

- max. working pressure: 1500 bar (150 MPa)
- max. capacity: 40 l/min
- Connection: M26 x 1,5 female
- Length total: 1000 mm
- Weight: approx. 3-4 kg
- Temperature: max. 50° C
- Usable nozzle inserts: Insert nozzles Form A, B and C (see page Z 41-1 e + Z 41-2e)  
Orbital nozzle KOD1500/1000 (see page Z 40-1/2/3/4e)  
Rotating nozzle PRD3500 LV (see page Z 20-1e) and nozzle heads (see page Z20-2e)

### Applications

For manual surface cleaning of all types of forms and materials with nozzle.



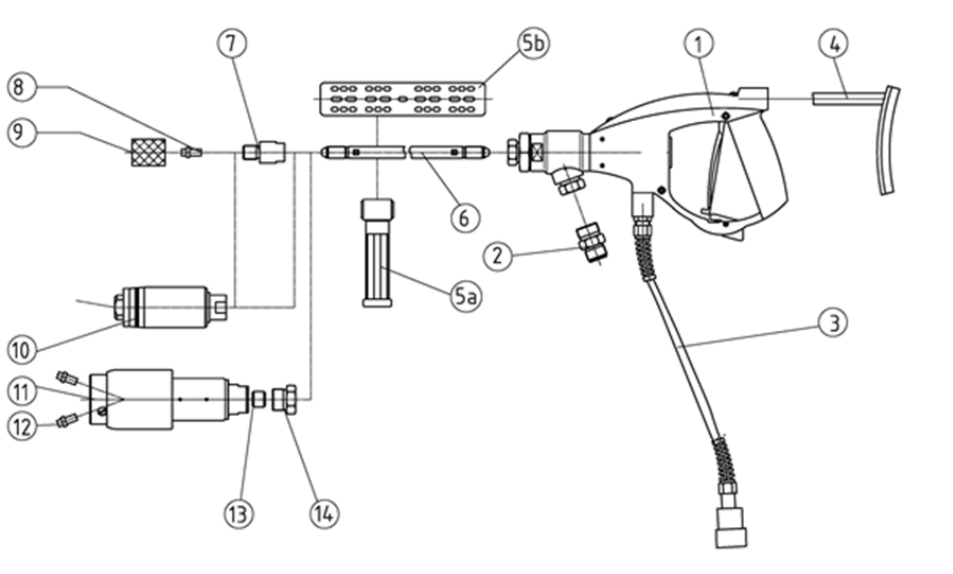
For hand-held operation of a spray gun the nozzle diameter must be selected to ensure that the reaction force in the longitudinal axis when used at the max. operating pressure does not exceed 250 N. If the reaction force is in excess of 150 N the gun must be equipped with a support, in compliance with the European Norm EN 1829.

# HIGH - PRESSURE JETTING GUN KSP1500

## Valve actuated

Z 3-1e  
17.08.2022  
Page 2/2

### Accessories and spare parts



Item	Description	Part no.
1	Gun handle with valve	7032710
2	Hose connection adapter	
a.	M22x1.5 DKL	7009212
b.	M22x1.5 DKO	7013332
c.	M24x1.5 DKO	7009213
d.	G 1/2" DKR	7012416
3	Initiator with 2 m cable for remote control	7017928
4	Shoulder support	7009215
5a	Additional handle	7001071
5b	Half shell handle	7009921
6	Gun tube M14x1.5 LH	
	250 mm	7010480
	500 mm	7006964
	750 mm	7006963
	1000 mm	7006382
	1500 mm	7016913
	2000 mm	7006996
	2500 mm	7014917
	3000 mm	7014918
	4000 mm	7014919

Item	Description	Part no.
7	Adapter for insert nozzle	7009549
8	Insert nozzle	see page Z 41-1e + Z 41-2e
9	Cap nut for insert nozzle	1051600
10	Orbital nozzle KOD	see page Z 40-1/2/3/4
11	Rotating nozzle PRD3500 LV Nozzle heads DK1 – DK4	see page Z20-1e see page Z20-2e
12	Straight jet threaded nozzle Form 0964	see page Z 55-1e
13	Pressure ring M14x1.5 LH	7006365
14	Pressure screw M26x1.5	7006364
	Cartridge repair kit	7033258

# HIGH - PRESSURE JETTING GUN KSP3000

## Electrically operated (without mechanical valve)

Z 5-1e  
17.08.2022  
Page 1/3

HP - Gun complete with spray tube 750 mm,  
Holder for insert nozzles (without nozzle)

Part No. 7018125



### Optional

Without lance tube

Part. No. 7018126



### Additional equipment

Shoulder support  
Half shell handle  
Handle  
Switch Element

Part No. 7009215  
Part No. 7009921  
Part No. 7001071  
Part No. 7017928



### Technical Data

- Max. working pressure: 3000 bar (300 MPa)
- Max. capacity: 40 l/min
- Connection: M26x1,5 female
- Length total: 1000 mm
- Weight: approx. 3 kg
- Temperature: max. 50° C
- Usable nozzle inserts: Insert nozzles Type 0952 (see page Z 45-1e)  
Rotating nozzle PRD 3500 (see page Z 20-1e)  
and nozzle heads (see page Z 20-2e)  
Rotating nozzle PRD 3500 Air (see page Z 30-1e)  
Orbital nozzle KOD 2500 (see page Z 40-1/2/3/4e)

### Applications

For manual surface cleaning of all types of forms and materials with nozzle.



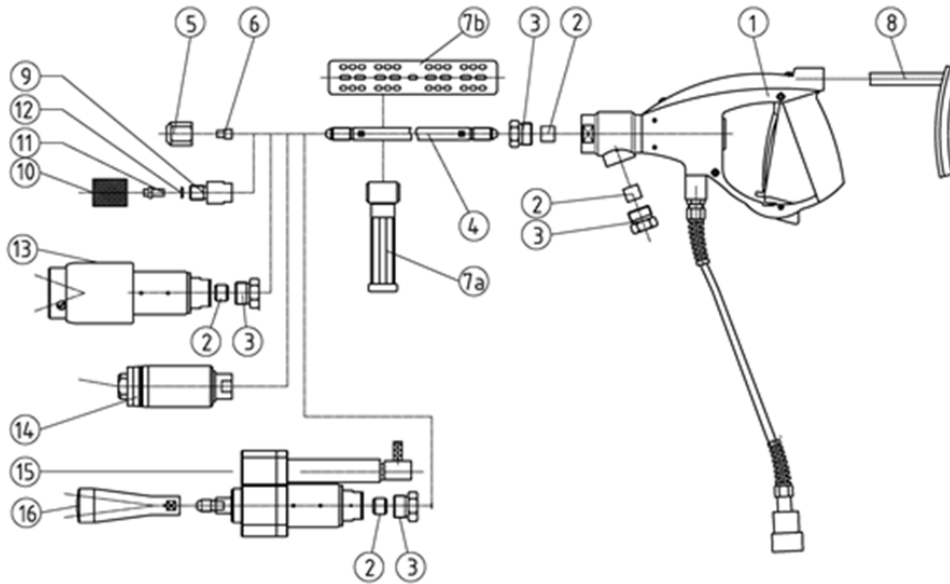
For hand-held operation of a spray gun the nozzle diameter must be selected to ensure that the reaction force in the longitudinal axis when used at the max. operating pressure does not exceed 250 N. If the reaction force is in excess of 150 N the gun must be equipped with a support, in compliance with the European Norm EN 1829.

# HIGH - PRESSURE JETTING GUN KSP3000

## Electrically operated (without mechanical valve)

Z 5-1e  
17.08.2022  
Page 2/3

### Accessories and spare parts



Item	Description	Part No.
1	Gun handle with connector block	7018126
2	Pressure ring M14x1.5 LH	7006365
3	Pressure screw M26x1.5	7006364
4	Gun tube M14x1,5 LH	
a.	250 mr	7010480
b.	500 mr	7006964
c.	750 mr	7006963
d.	1000 mr	7006382
e.	1500 mr	7016913
f.	2000 mr	7006996
g.	2500 mr	7014917
h.	3000 mr	7014918
i.	4000 mr	7014919
5	Nozzle holder M14x1,5 LH	7004818
6	Straight jet insert nozzles Type 0952	see page Z45-1 e
7a	Additional handle	7001071
7b	Half shell handle	7009921

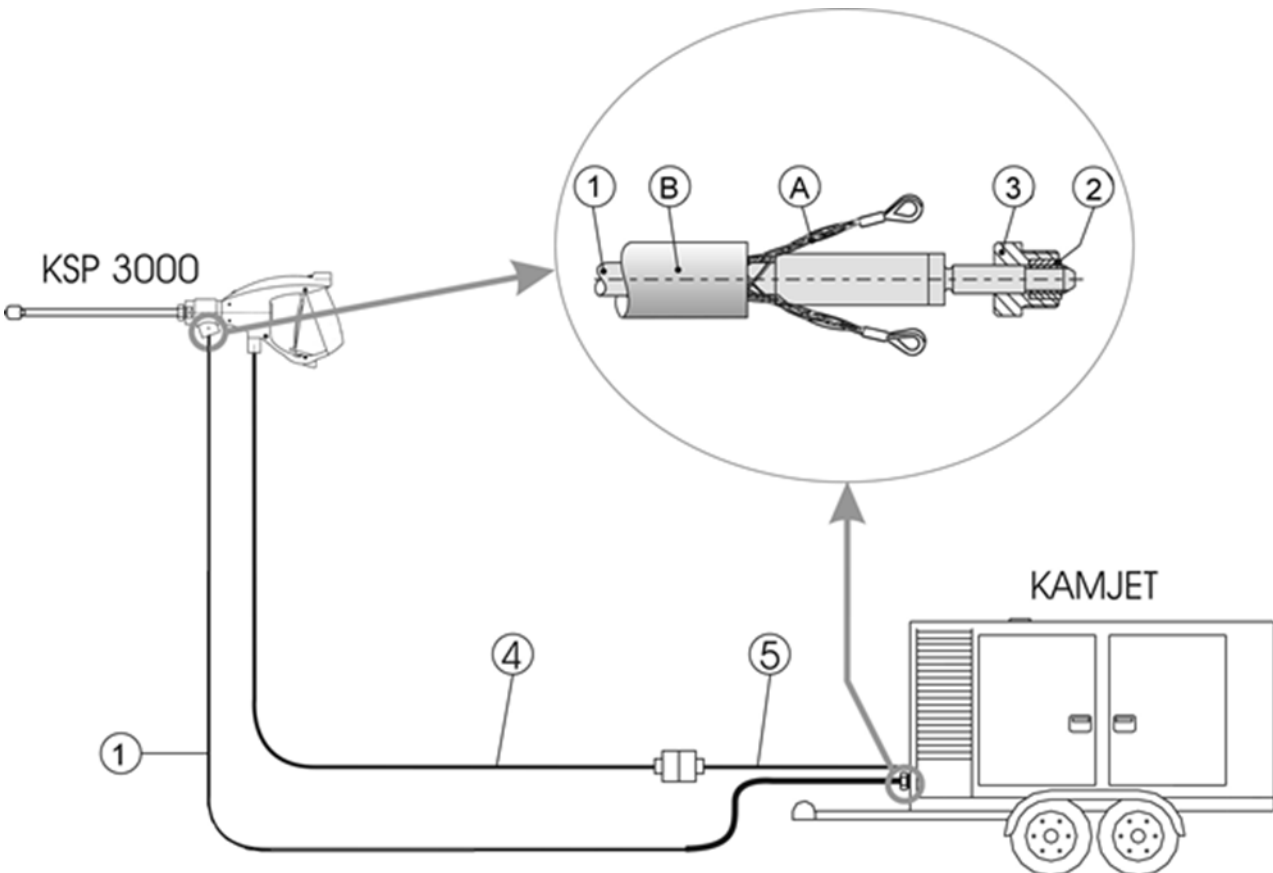
Item	Description	Part No.
8	Shoulder support	7009215
9	Adaptor for insert nozzles 1500 bar	7005562
10	Cap nut for adaptor	7005563
11	Flat jet insert nozzle 1500 bar	see page Z 41-2e
12	O-Ring	1060382
13	Rotating nozzle PRD3500 LV Nozzle heads DK1 – DK4	see page Z 20-1e see page Z 20-2e
14	Orbital nozzle Type KOD	see page Z 40-1/2/3/4e
15	Pneumatically driven rotating nozzle PRD3500 Air	see page Z 30-1e
16	Various nozzle heads for PRD3500 Air	see page Z 35-1e

# HIGH - PRESSURE JETTING GUN KSP3000

## Electrically operated (without mechanical valve)

Z 5-1e  
17.08.2022  
Page 3/3

### Additional equipment



Item	Description	Part No.
1	High pressure hose with safety hose (Pos. A und B) Fitting: M14x1.5 LH	see page Z 60-3
2	Pressure ring M14x1,5 LH	7006365
3	Pressure screw M26x1,5	7006364
4	Remote control cable on cable reel 50 m 80 m 100 m	7017923 7017922 7017924