

# ROTOLANCE

## pneumatically driven rotating lance

Z 25-1e  
28.02.2023  
Page 1/3

RotoLance complete with rotating tube, protection tube, pneumatic drive and initiator (without nozzle head)

**Optional**  
Without gun handle

Part No. 7029552



Part No. 7028912



**Additional equipment**  
Shoulder support

Part No. 7009215



### Technical Data

- Max. working pressure: 3000 bar
- Max. flow rate: 50 l/min
- Pressure connection: M26x1.5 female (pressure screw & pressure ring available see accessories)
- Connection for nozzle head: M14x1.5 LH male
- Total length: approx. 1000 mm
- Weight: approx. 6 kg complete  
approx. 3.5 kg without handle
- Temperature: max. 90° C
- Usable nozzle heads: see page Z 35-1e

#### Pneumatic Drive:

- Speed rpm: 0 - 1800 rpm
- Air connection: Quick coupling for air hose ID 6
- Air requirement: 5.0 l/s (filtered & oiled air)
- Air working pressure: 6.3 bar

### Required Accessories

### Part. No.

|                               |         |
|-------------------------------|---------|
| Pressure screw M26x1.5        | 7006364 |
| Pressure ring M14x1.5 LH      | 7006365 |
| Pressure ring 9/16"-18 UNF LH | 7006966 |

### Applications

- Can be fitted to guns and guided equipment
- Cleaning of surfaces and pipes
- Removal of paint and coatings
- Removal of concrete; laying bare reinforcements
- Cleaning and washing of concrete and stones



For hand-held operation of a spray gun the nozzle diameter must be selected to ensure that the reaction force in the longitudinal axis when used at the max. operating pressure does not exceed 250 N. If the reaction force is in excess of 150 N the gun must be equipped with a support, in compliance with the European Norm EN 1829.

#### **KAMAT GmbH & Co. KG**

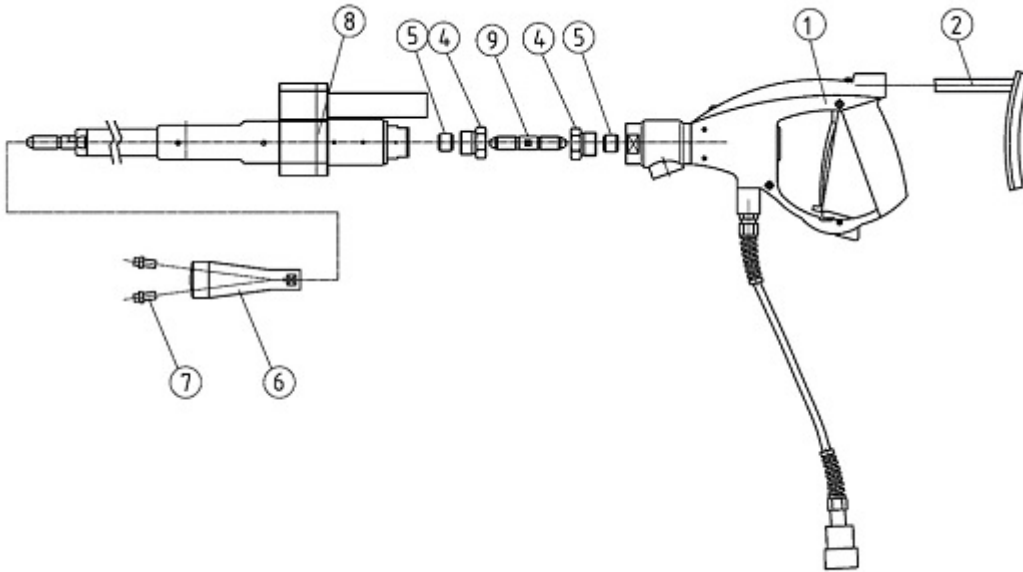
Salinger Feld 10, 58454 Witten, Germany,  
Fon +49 (0) 23 02 / 89 03 - 0, Fax +49 (0) 23 02 / 80 19 17, info@KAMAT.de, www.KAMAT.de  
Technische Änderungen vorbehalten / Technical data subject to change without notice



**ROTOLANCE**  
 pneumatically driven rotating lance

Z 25-1e  
 28.02.2023  
 Page 2/3

**Accessories and spare parts**

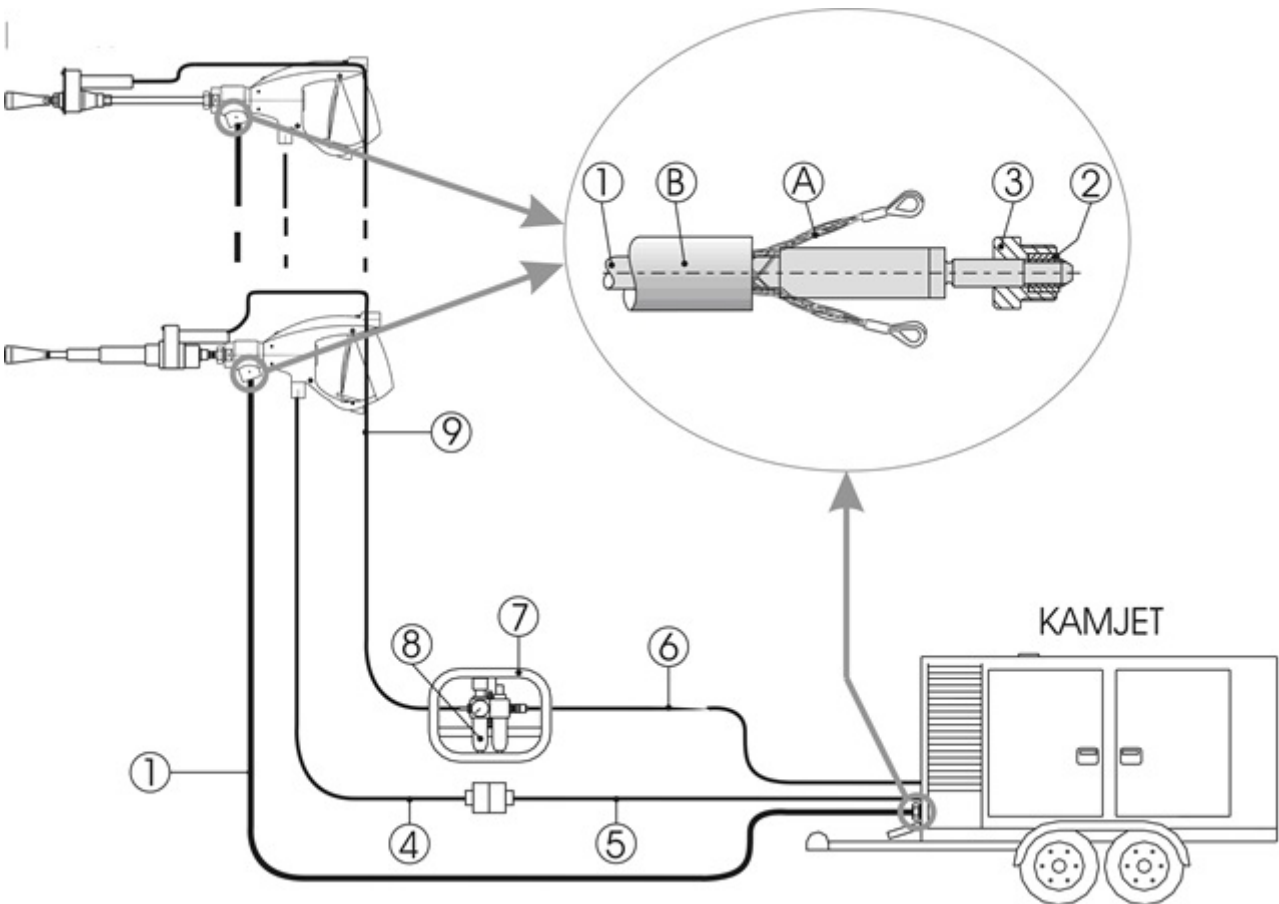


| Item | Description  | Part No.                        |
|------|--|---------------------------------|
| 1    | Gun handle with connector block and remote control | 7018126                         |
| 2    | Shoulder support                                   | 7009215                         |
| 4    | Pressure screw M26x1.5                             | 7006364                         |
| 5    | Pressure ring M14x1.5 LH                           | 7006365                         |
| 6    | Various rotating heads                             | see page<br>Z 35-1e             |
| 7    | Nozzle inserts                                     | see page<br>Z 55-1e and Z 55-3e |
| 8    | Roto-Lance without gun handle                      | 7028912                         |
| 9    | HP-Pipe nipple                                     | 7006451                         |

**ROTOLANCE**  
 pneumatically driven rotating lance

Z 25-1e  
 28.02.2023  
 Page 3/3

Connection arrangements for air driven tools



| Item | Description   | Part No.         |
|------|---|------------------|
| 1    | HP-Hose line  | see page Z 60-3e |
| 2    | Pressure ring M14x1.5 LH                            | 7006365          |
| 3    | Pressure screw M26x1.5                              | 7006364          |
| 4    | Remote control cable on cable reel e.g. 80 m length | 7017922          |

| Item | Description   | Part No. |
|------|---|----------|
| 6    | Air hose line ID 9, 20 m  | 7006716  |
| 7    | Maintenance unit for air tools incl. pressure reducer and oiler | 7006629  |
| 8    | Special oil for air motor                                       | 7006965  |
| 9    | Air hose line ID 6, 5 m   | 7006715  |