

pero



Cleaning with
solvents

N2 CLEANING PLANT

DESIGNED FOR PERFORMANCE AND AVAILABILITY

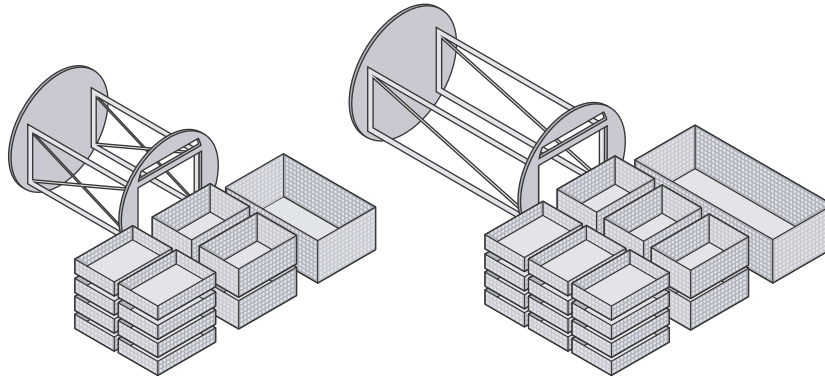


**STANDARDIZED
AND STRONG**

Exemplary illustration

STANDARDIZED AND STRONG

With a high degree of efficiency in process technology and energy use, the N2 plant ensures a particularly high throughput performance and excellent cleaning quality.



Standard Chamber

Possible stack height: 400 mm*

B Chamber

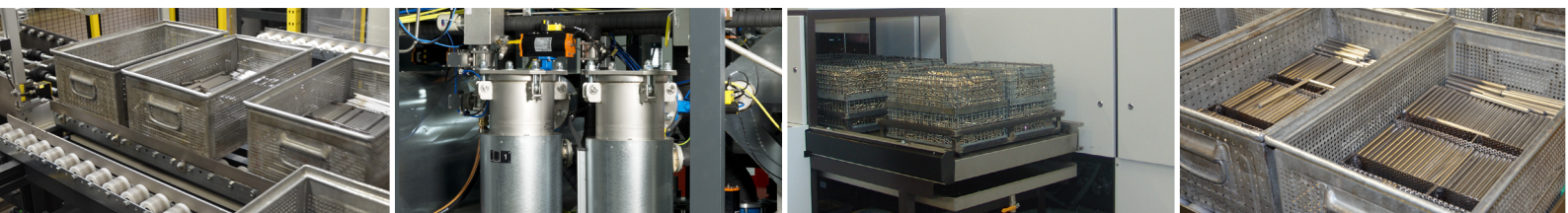
Possible stack height: 400 mm*

*) Exemplary possibilities. Combinations of the goods carriers, stackability and lanes are to be checked in the individual case.

PROVEN QUALITY

The plants of the N2 series use the strengths of solvents to clean and degrease components. From all the common solvents the ideal one for the respective cleaning task and contamination can be chosen.

- + Excellent cleaning quality and highest productivity already in standard model. Permanent full-flow filtration of the medium. In addition, the medium in the baths can be filtered in the bypass
- + Operation under full vacuum protects the cleaning medium and minimizes solvent consumption
- + Can be adapted to individual cleaning tasks by means of optional equipment
- + Whether 1-bath or 2-bath model: Incomparably small footprint and good accessibility
- + A compact design allows international transportation in the container



ECOLOGICAL & ECONOMICAL

All process steps take place under full vacuum. This supports cleaning in solvents, reduces energy consumption and allows short cycle times with maximum safety.

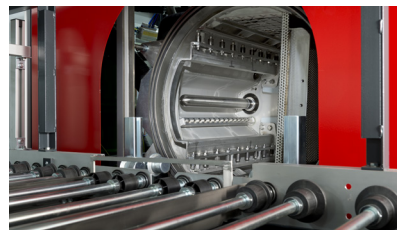
- + High degree of technical cleanliness by combining the processes of cleaning, rinsing, vapour degreasing and optional ultrasound cleaning and/or preservation against corrosion
- + Integrated maintenance programs automatically maintain the cleaning medium and filter and thus ensure high cleaning quality and availability
- + Heat output is adjustable as needed via energy manager – maximum energy efficiency
- + Future proof reliability for the Universal model: can optionally be modified easily to alternative solvents
- + Protection of staff and environment due to redundant process monitoring. Benefits of solvent used in a circuit



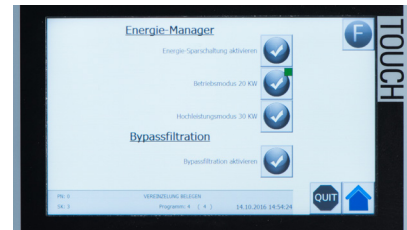
Filter monitoring and drying



Automatic charging



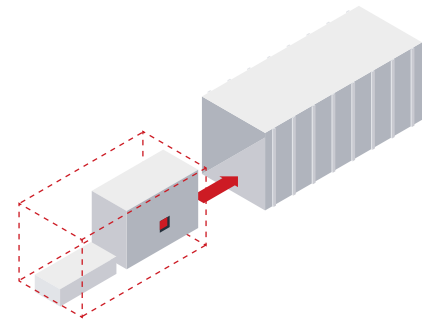
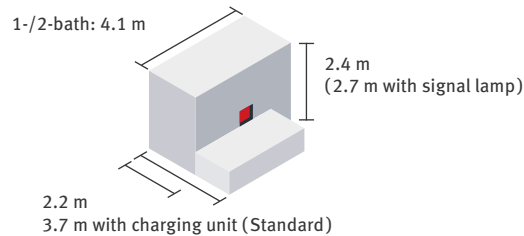
Work chamber with ultrasound



Adapted to individual requirements

TECHNICAL DETAILS

External plant dimensions



Cleaning medium	
Hydrocarbons or modified alcohols with flashpoint > 55° C; halogenated hydrocarbons; further solvents on request	
Batches / Goods carriers	
Standard external dimensions (LxWxH), max.	660x480x300 mm (Standard) 1,000 x 480x 300 mm (B chamber)
further sizes or combinations on request	
Batch weight, max.	200 kg
Height of charging unit	810 mm
Throughput	
Depending on process chosen	up to 16 batches / h with a max. of 70 kg steel

Performance data	
Connected load	approx. 43 – 66 kW
Heat output	10 / 20 / 30 kW, selectable (energy manager)
Heating-up time of plant	approx. 90 – 120 min
Sound level	< 75 dB(A)
Solvent volume 1-bath	530 l
Solvent volume 2-bath	930 l
Options	
e.g. ultrasound, remote maintenance, preservation bath, etc.	

All the data are approximate figures - Errors and omissions reserved

COMPETENCE CENTRE

FOR THE TECHNICAL CLEANLINESS OF COMPONENTS

More than **15 demonstration machines** available in our 1,100 square meter Competence Centre, allowing you together with our Pero engineers to develop the optimum cleaning process for your company.

Cleaning process with

Water based media

- + Batch facilities for quality carriers up to 660 x 480 x 300 mm
- + Tunnel cleaning plants
- + Cleaning systems for large components up to a width of 2,100 mm and a weight of 1,500 kg

Solvents

- + Comparing different media
- + Testing alternative cleaning processes
- + Seeing the appropriate handling of parts

MAKING USE OF STRONG PERFORMANCE

- + Free cleaning tests on original dirty parts including documentation
- + Evaluations and analyses of cleanliness according to VDA 19 in **our laboratory**
- + Technological insight and valuable data for your company

Even before you have decided about the investment, assessing the profitability of the future process can be carried out. The defined technical cleanliness of the components reliably reached and maintained.

PERO AG
Hunnenstraße 18
D-86343 Königsbrunn

Fon: +49 (0)8231 6011-0
Fax: +49 (0)8231 6011-810
pero.info@pero.ag
www.pero.ag

