



Newly optimised version!

Smooth ratchet mechanism for blind rivet nuts up to M12

M3	M4	M5	M6	M8	M10	M12
		optional Aluminium				
		optional Steel				
		optional Stainless steel				

M3	M4	M5	M6	M8	M10	M12
		Steel				

1.1 kg 325 x 250 x 50 mm

Case in aluminium look

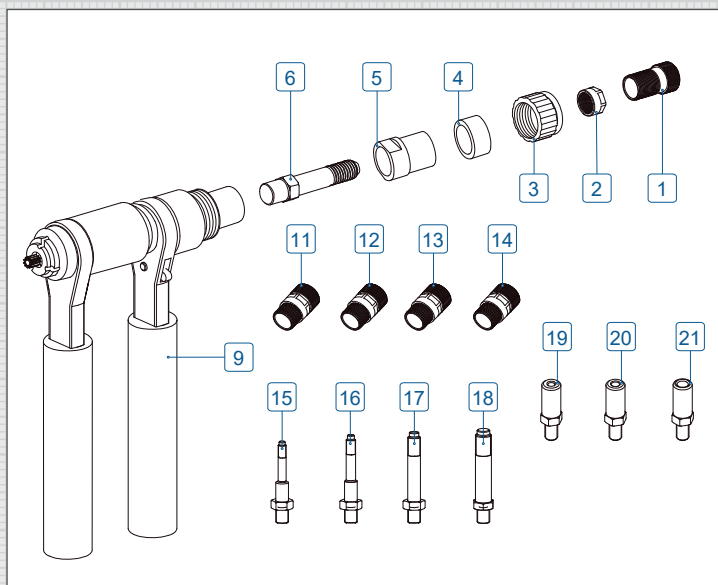
1 conversion kit each for M5 - M12 blind rivet nuts,
1 threaded sleeve each for RIFBOLT® blind rivet bolts M5 - M8

Item no. 310612000000



VNG 612N

VNG 612N Spare Parts



No.	Item no.	Spare part
2	311612000021-0-2	VNG 612N lock nut
3	311612000010-0-2	VNG 612N knurled nut
4	311612000018-0-2	VNG 612N rubber ring
5	311612000020-0-2	VNG 612N nosepiece holder
9	311612000016-0-2	VNG 612N black handle (2 pcs.)
11	311612000305-0-2	VNG 612N nosepiece M5
12	311612000306-0-2	VNG 612N nosepiece M6
13	311612000308-0-2	VNG 612N nosepiece M8
14	311612000310-0-2	VNG 612N nosepiece M10
1	311612000312-0-2	VNG 612N nosepiece M12
15	311612000050-0-2	VNG 612N mandrel M5
16	311612000060-0-2	VNG 612N mandrel M6
17	311612000080-0-2	VNG 612N mandrel M8
18	311612000100-0-2	VNG 612N mandrel M10
6	311612000120-0-2	VNG 612N mandrel M12
19	311612000205-0-2	VNG 612N threaded sleeve M5
20	311612000206-0-2	VNG 612N threaded sleeve M6
21	311612000210-0-2	VNG 612N threaded sleeve M8

You can also use our interactive ProductViewer to quickly search for the correct spare part.

