

Small Format Interchangeable Core (SFIC)



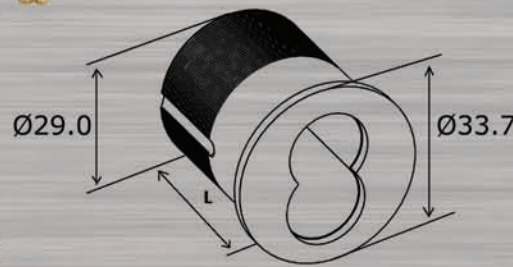
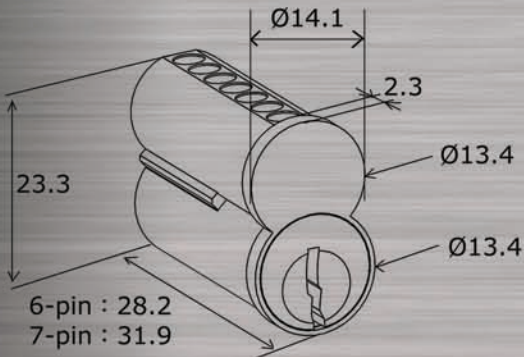
SECUTOR



#SFIC



Mortise Cylinder
#033

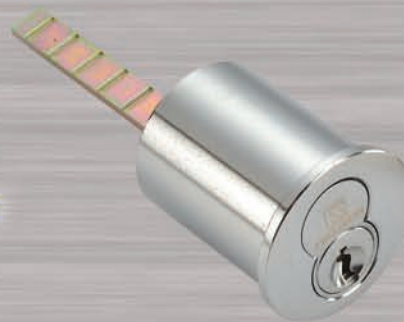


	Length(L)
6PINS	1-1/4"
7PINS	1-3/8", 1-1/2", 1-5/8", 1-3/4"
	1-7/8", 2", 2-1/8", 2-1/4", 2-3/8" 2-1/2", 2-5/8", 2-3/4", 2-7/8", 3"

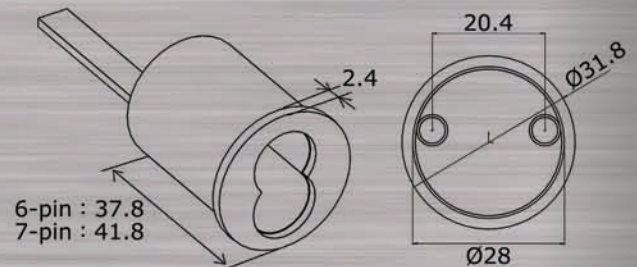
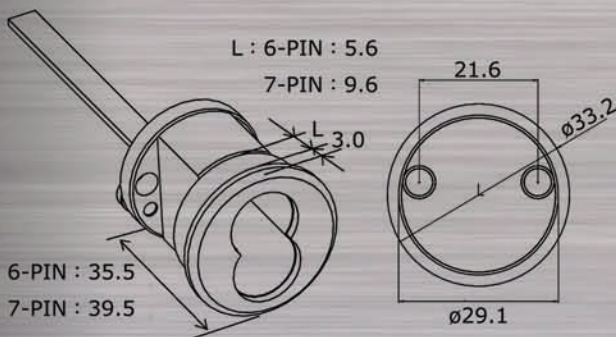


#034

Rim Cylinder
for Panic Device



#036



File Cabinet Lock
#2E73

Drawer Lock
#2E74



- * Interchangeable & re-keyable core
- * Brass material
- * Best A, C, F, G.... keyway available
- * 1,000,000 key combinations of 6-pin cylinder
- * 10,000,000 key combinations of 7-pin cylinder
- * With nickel silver 1 control key and 2 operating keys
- * No screwdriver and tool needed for cylinder replacement
- * Finish: US03, US04, US10B, US15, US26, US26D, US32, US32D
- * Unpinned / KA / KD / MK / GMK / GGMK / GGGMK / GGGGMK system for optional order

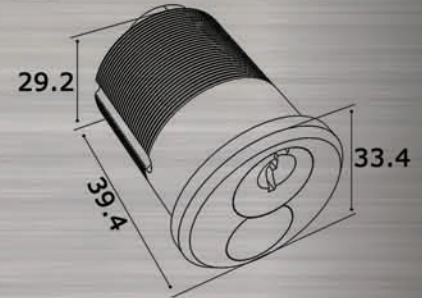
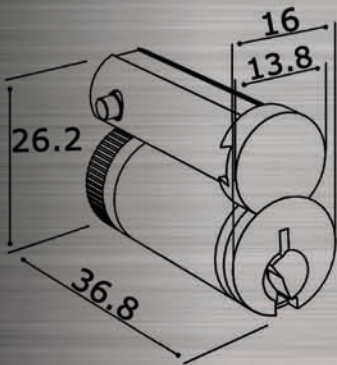
Large Format Interchangeable Core (LFIC)



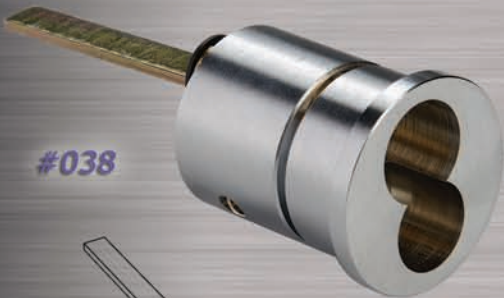
LFIC #041



Mortise Cylinder #039

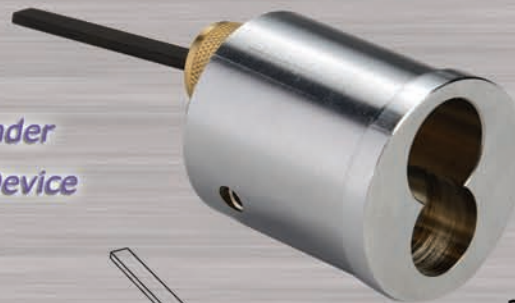


- * Interchangeable & re-keyable core
- * Brass material
- * 6-pin tumbler mechanism
- * C / E / F keyway available
- * 70,000 key combinations
- * With 1 control key and 2 operating keys
- * No screwdriver and tool needed for cylinder replacement
- * Finish: US03, US04, US10B, US15, US26, US26D, US32, US32D
- * Unpinned / KA / KD / MK / GMK / GGMK / GGGGMK system for optional order

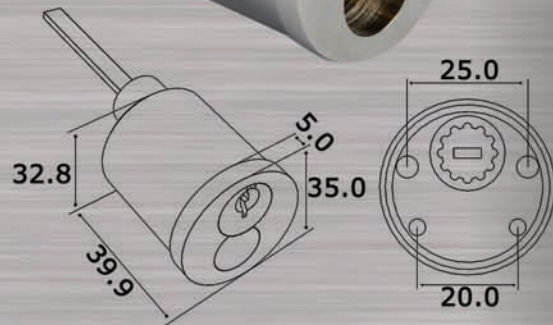
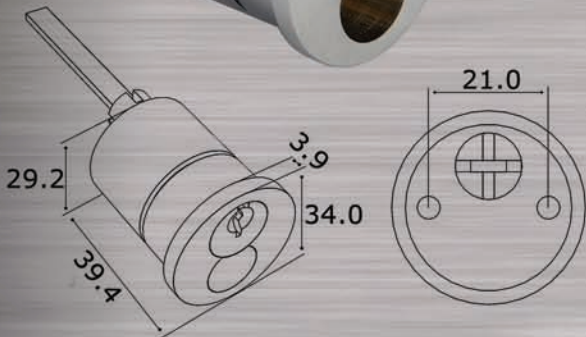


#038

Rim Cylinder for Panic Device



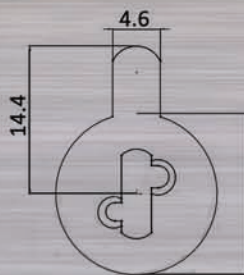
#040



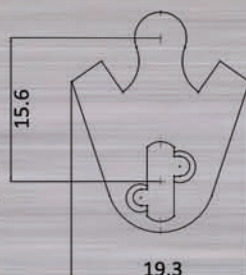
Available Cam



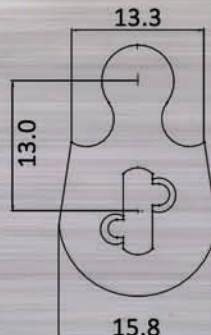
#1



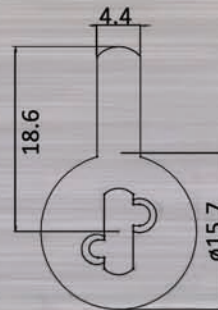
#2



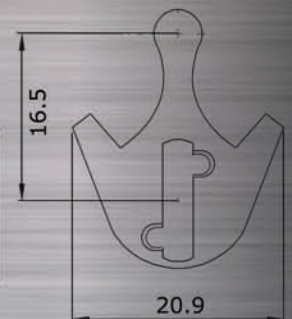
#3



#4



#5



#6

Meas:mm



SECUTOR CORPORATION

Website: secutor.com.tw

E-mail: secutor@ms66.hinet.net

A4, 9F., No.6, Siwei 3rd Rd, Lingya Dist., Kaohsiung City 80250, TAIWAN

Tel: 886-7-3355 235 Fax: 886-7-3356 680