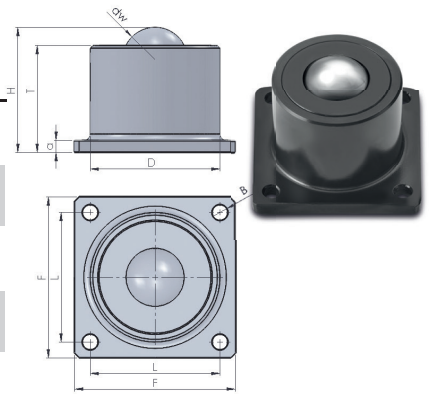


Heavy-duty ball transfer with base flange or head flange

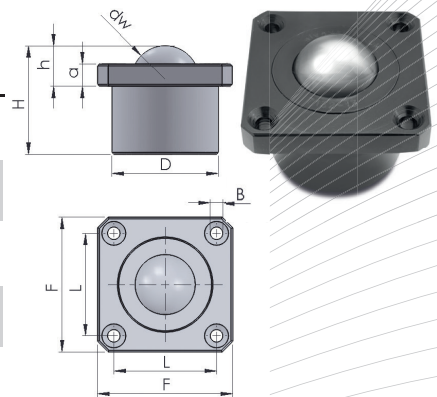
- for use when overall height is limited
- all load-carrying capacity specifications are valid also for overhead installations
- the performance of our ball transfer units is optimized when they are used properly. Installation, load, and spacing accuracy are crucial for achieving optimal operating efficiency. In addition, the surfaces that come into contact with the ball transfer units must be hardened
- if it is difficult to adequately meet these requirements because of the conditions at the place of installation, then we recommend that a safety factor be incorporated into the calculation of the required quantity and performance



ball transfer series KR-OTF	dw mm	D mm	H mm	a mm	T mm	FxF mm	LxL mm	B mm	load-carrying capacity kg
KR-OTF-13 Ident No.: 0022456	12.7	23.8	22.6	3.2	19.1	44.5	34.8	3.6	35
KR-OTF-25-135 Ident No.: 0022457	25.4	44.5	41.4	4.8	35.8	57.2	44.5	5.6	135
KR-OTF-25-320 Ident No.: 0022458	25.4	50.8	45.5	6.3	39.1	76.2	57.9	7.1	320
KR-OTF-38 Ident No.: 0022459	38.1	60	62.2	12.4	49.2	76.2	57.9	7.1	1,000
KR-OTF-50 Ident No.: 0022460	50.8	101.6	98.3	9.6	84	127	101.6	11	2,000



ball transfer series KR-OTKF	dw mm	D mm	H mm	h mm	a mm	FxF mm	LxL mm	B mm	load-carrying capacity kg
KR-OTKF-13* Ident No.: 0022464	12.7	23.8	22.4	11.2	3.2	44.5	34.8	3.6	35
KR-OTKF-25-135 Ident No.: 0022465	25.4	44.5	41.6	10.3	4.7	57.2	44.5	5.6	135
KR-OTKF-25-320 Ident No.: 0022466	25.4	50.8	45	13	6.9	76.2	57.9	7.1	320
KR-OTKF-38 Ident No.: 0022467	38.1	60	61.2	25.4	12.4	76.2	57.9	7.1	1,000
KR-OTKF-50 Ident No.: 0022468	50.8	101.6	98.3	33.3	19	127	101.6	11	2,000



* version with only 2 mounting holes