

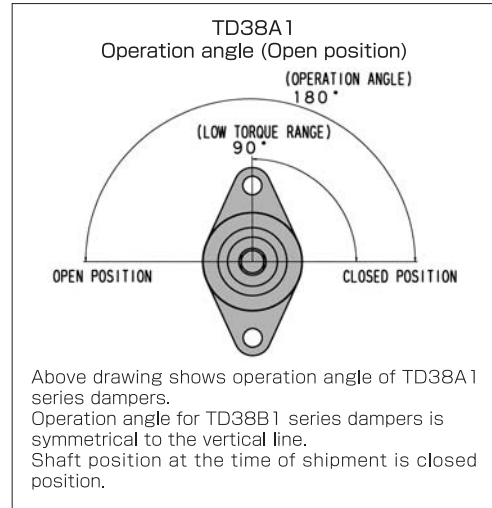
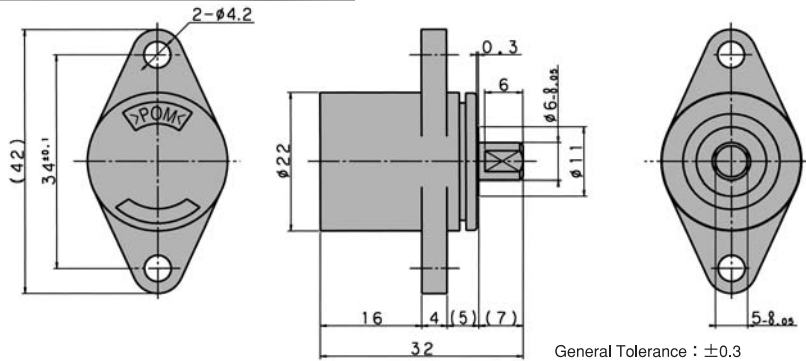
ROTARY DAMPERS

TD38 SERIES



FEATURES

- RoHS compliance
- TD38 DAMPERS realized operation angle 180°.
- TD38 DAMPERS can be fixed to the system firmly with screws and are easy to install.

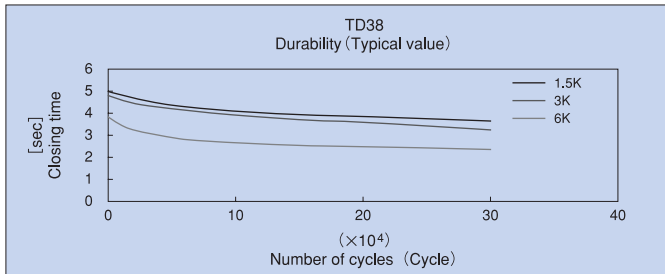


Code	Part No.	Allowable Torque [N·m] (Kgf·cm)	Direction
600382	TD38A1-1.5K	[0.15] (1.5)	CW (R)
600380	TD38A1-3K	[0.29] (3.0)	CW (R)
600384	TD38A1-6K	[0.59] (6.0)	CW (R)

Code	Part No.	Allowable Torque [N·m] (Kgf·cm)	Direction
600383	TD38B1-1.5K	[0.15] (1.5)	CCW (L)
600381	TD38B1-3K	[0.29] (3.0)	CCW (L)
600385	TD38B1-6K	[0.59] (6.0)	CCW (L)

DURABILITY

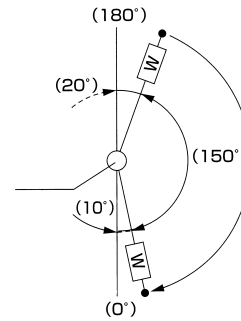
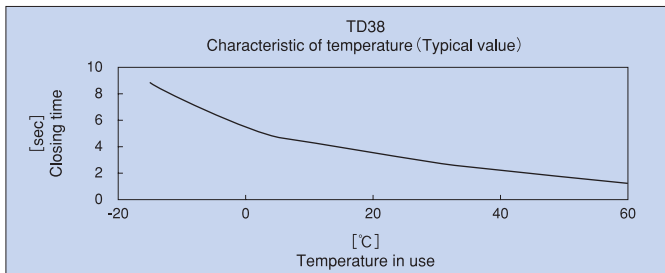
Each damper is set-up with an applied torque and weight on the shaft of the testing device. Measurements for closing time are taken under above condition.



Operation angle	180°	
Durability	300,000cycles	
Closing time	Applied torque	Initial value
	0.15N·m (1.5kgf·cm)	2~10 (sec)
	0.29N·m (3.0kgf·cm)	2~10 (sec)
0.59N·m (6.0kgf·cm)	2~10 (sec)	

TEMPERATURE CHARACTERISTICS

After the damper is stabilized at room temperature for 1 hour or more, the closing time is measured using a TOK made device.



TEST CONDITION

- ①Setting-up time : 15sec/cycle
- ②Applied torque :
0.15N·m (1.5kgf·cm)
0.29N·m (3.0kgf·cm)
0.59N·m (6.0kgf·cm)
- ③Temp : 23°C±2°C
- ④Angle for measuring the closing time : 160°→10°
- ⑤Radial force : nothing
- ⑥Closing time after durability test : 1 sec or more

TOK BEARING CO.,LTD.

HEAD OFFICE, TOKYO, JAPAN – TEL : 81-3-3969-1534 FAX : 81-3-3969-9354
EMAIL : overseas@tok-bearing.co.jp

Product specification are subject to change without prior notice.

Before assembly or use of any bearing, please read "Caution for Use"