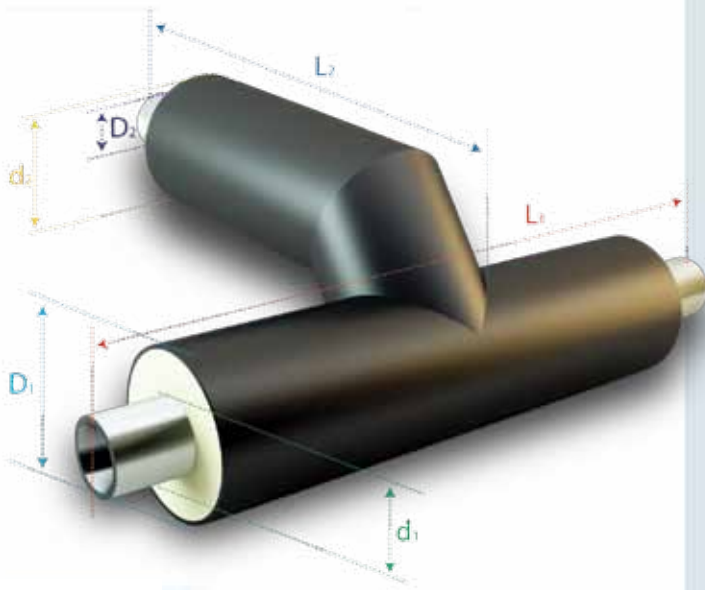


# PREINSULATED ELEVATED TEE IN ACCORDANCE WITH TS EN 448 STANDARDS



INNER PIPE	NOMINAL DIA- METER	DN	ø20	ø25	ø32	ø40	ø50	ø65	ø80	ø100	ø125	ø150	ø200	ø250	ø300	ø350	ø400	ø450	ø500	ø600	ø700	ø800	ø900	ø1000	ø1100	ø1200		
		Inch	¾"	1"	1¼"	1½"	2"	2½"	3"	4"	5"	6"	8"	10"	12"	14"	16"	18"	20"	24"	28"	32"	36"	40"	44"	48"		
CASING PIPE	OUTER DIAMETER (d <sub>1</sub> )	mm	26,9	33,7	42,4	48,3	60,3	76,1	88,9	114,3	139,7	168,3	219,1	273,0	323,9	355,6	406,4	457,2	508,0	610,0	711,1	813,0	914,0	1016,0	1118,0	1219,0		
		mm	90	90	110	110	125	140	160	200	225	250	315	400	450	500	560	630	710	800	900	1000	1200	1200	1400	1400		
L <sub>1</sub> LENGTH [mm]			1000	1000	1000	1000	1000	1000	1000	1000	1000	1200	1200	1200	1400	1800	2000	2000	2000	2000	2000	2500	2500	2500	2500	2500		
INNER PIPE		CASING PIPE	L <sub>1</sub> LENGTH [mm]																									
NOMINAL DIAMETER	OUTER DIAMETER (d <sub>1</sub> )	OUTER DIAMETER (D <sub>1</sub> )																										
DN	Inch	mm	mm																									
ø20	¾"	26,9	90	1000	1000	1000	1000	1000	1000	1000	1000	1000	1000	1000														
ø25	1"	33,7	90		1000	1000	1000	1000	1000	1000	1000	1000	1000	1000														
ø32	1¼"	42,4	110			1000	1000	1000	1000	1000	1000	1000	1000	1000														
ø40	1½"	48,3	110				1000	1000	1000	1000	1000	1000	1000	1000	1000													
ø50	2"	60,3	125					1000	1000	1000	1000	1000	1000	1000	1000													
ø65	2½"	76,1	140						1000	1000	1000	1000	1000	1000	1000	1000												
ø80	3"	88,9	160							1000	1000	1000	1000	1000	1000	1000	1000											
ø100	4"	114,3	200								1000	1000	1000	1000	1000	1000	1000	1200	1200	1200	1200	1200	1000					
ø125	5"	139,7	225									1000	1000	1000	1000	1000	1200	1200	1200	1200	1200	1200	1200	1200				
ø150	6"	168,3	250										1200	1200	1200	1200	1200	1200	1200	1200	1200	1200	1200	1200	1200			
ø200	8"	219,1	315											1500	1500	1500	1500	1500	1500	1500	1500	1500	1500	1500	1500			
ø250	10"	273,0	400												1500	1500	1500	1500	1500	1500	1500	1500	1500	1500	1500	1500		
ø300	12"	323,9	450													1500	1500	1500	1500	1500	1500	1500	1500	1500	1500	1500		
ø350	14"	355,6	500														1500	1500	1500	1500	1500	1500	1500	1500	1500	1500		
ø400	16"	406,4	560															1500	1500	1500	1500	1500	1500	1500	1500	1500		
ø450	18"	457,2	630																1600	1600	1600	1600	1600	1600	1600	1600		
ø500	20"	508,0	710																	1600	1600	1600	1600	1600	1600	1600		
ø600	24"	610,0	800																		1600	1600	1600	1600	1600	1600		
ø700	28"	711,0	900																			1800	1800	1800	1800	1800		
ø800	32"	813,0	1000																				1800	1800	1800	1800		
ø900	36"	914,0	1200																					2000	2000	2000		
ø1000	40"	1,016,0	1200																						2000	2000		
ø1100	44"	1,118,0	1400																							2000		
ø1200	48"	1,219,0	1400																							2000		