



BAROLI 02P

Battery Powered Digital Pressure Gauge

Stainless Steel Diaphragm
Flush Welded

class 0.1

Nominal pressure

from 0 ... 100 mbar up to 0 ... 40 bar

Special characteristics

- ▶ rotatable housing
- ▶ 2-line LC display
4.5-digit 7-segment display
6-digit 14-segment additional display
- ▶ hygienic process connections

Functions

- ▶ min / max function with reset function
- ▶ offset and end point calibration
- ▶ setting the pressure unit
- ▶ configuration of switch-off automatic

The battery-powered digital pressure gauge BAROLI 02P with flush welded stainless steel sensor enables a local displaying of values in applications, where high requirements on hygienic process connections and easy cleaning or sterilization are requested. The filling medium is food compatible oil with FDA approval.

The BAROLI 02P display housing is rotatable, thus ensuring an easy reading even under unfavourable mounting conditions.

Additional functions:

switching the unit, displaying min / max values, calibrating the offset and the end point, configuring the automatic switching-off

Preferred areas of use are



Food industry



Pharmacy



Input pressure ranges ¹									
Nominal pressure gauge	[bar]	-1 ... 0	0.10	0.16	0.25	0.40	0.60	1	1.6
Nominal pressure absolute	[bar]	-	-	-	-	0.40	0.60	1	1.6
Overpressure	[bar]	5	0.5	1	1	2	5	5	10
Burst pressure ≥	[bar]	7.5	1.5	1.5	1.5	3	7.5	7.5	15
Nominal pressure gauge / absolute	[bar]	2.5	4	6	10	16	25	40	
Overpressure	[bar]	10	20	40	40	80	80	105	
Burst pressure ≥	[bar]	15	25	50	50	120	120	210	
Vacuum resistance		p _N ≥ 1 bar: unlimited vacuum resistance p _N < 1 bar: on request							
¹ consider the pressure resistance of fitting and clamps									

Performance	
Accuracy ²	nominal pressure ≥ 0.4 bar : ≤ ± 0.125 % BFSL nominal pressure < 0.4 bar: ≤ ± 0.25 % BFSL
Measuring rate	5/sec
² accuracy according to IEC 60770 – minimum value setting (non-linearity, hysteresis, repeatability)	

Thermal effects (offset and span)			
Nominal pressure p _N	[bar]	-1 ... 0	< 0.40
Tolerance band	[% FSO]	≤ ± 0.75	≤ ± 1.5
in compensated range	[°C]	0 ... 70 °C	0 ... 50 °C

Permissible temperatures	
Medium ³	filling fluid of silicone oil: -40 ... 125 °C filling fluid of food compatible oil: -10 ... 125 °C
Environment	-20 ... 70 °C
Storage	-30 ... 80 °C

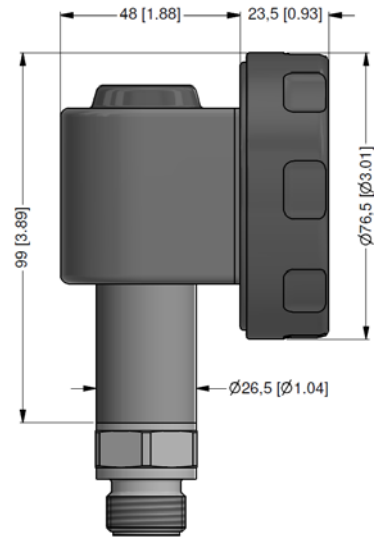
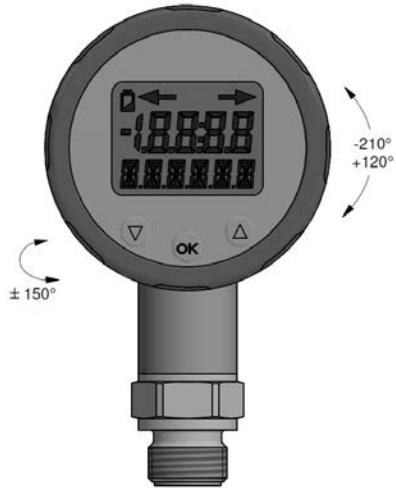
³ max temperature of the medium for nominal pressure gauge > 0 bar: 150 °C for 60 minutes with a max. environmental temperature of 50 °C

Mechanical stability	
Vibration	5 g RMS (25 ... 2000 Hz) according to IEC 60068-2-6
Shock	100 g / 1 msec according to IEC 60068-2-27

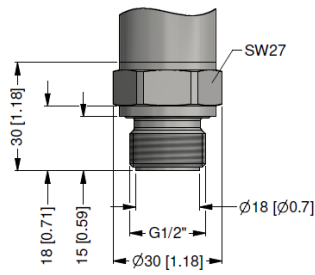
Materials / Filling fluids	
Housing	stainless steel 1.4404 (316 L)
Pressure port	inch thread: stainless steel 1.4404 (316 L) Clamp, dairy pipe: stainless steel 1.4435 (316 L) other on request
Display housing	PA 6.6, polycarbonate
Seals (media wetted)	standard: FKM clamp and dairy pipe: none
Diaphragm	stainless steel 1.4435 (316 L)
Media wetted parts	pressure port, seals, diaphragm
Filling fluids	standard: silicone oil option: food compatible oil with FDA-certificate (mobile SHC Cibus 32; class code: H1; NFS registration no.: 141500) other on request

Miscellaneous	
EHDG certificate Type EL Class I	EHDG conformity is only ensured in combination with an approved seal. This is e.g. for - Clamp (C62): T-ring-seal from Combifit International B.V. - dairy pipe (M73): ASEPTO-STAR k-flex upgrade seal by Kieselmann GmbH
Display	LC display, visible range 40 x 30 mm; 4.5-digit 7-segment-display, digit height 11 mm, range of indication ±19999; 6-digit 14-segment additional display, digit height 7.5 mm
Electromagnetic compatibility	emission and immunity according to EN 61326
Supply	3.6 V Lithium battery; 2 pieces (type 1/2 AA)
Data storage	EEPROM (non-volatile)
Ingress protection	IP 65
Installation position	any (standard: the device is calibrated in a vertical position with the pressure connection down; other than the given position for p _N ≤ 2 bar have to be declared at ordering)
Weight	min. 350 g (pendent on the pressure connection)
AD-converter solution	14 Bit
Operational life of battery	standby mode: approx. 5 years
Mech. operational life	100 million load cycles
CE-conformity	EMV Directive: 2014/30/EU

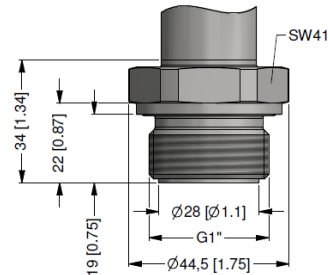
Dimensions (mm / in)



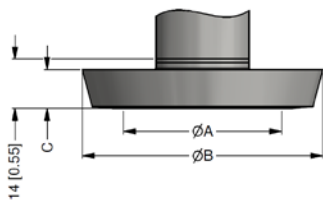
Mechanical connections (dimensions mm / in)



G1/2" DIN 3852 flush
p_N ≥ 1 bar

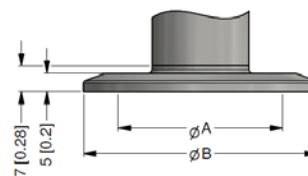


G1" DIN 3852 flush



dimensions in mm [in]	
size	DN 25
A	23 [0.91]
B	44 [1.73]
C	10 [0.39]

diaphragm pipe (DIN 11851)
p_N ≥ 0.25 bar



dimensions in mm [in]	
size	DN 1 1/2"
A	23 [0.91]
B	50.5 [1.99]

Clamp (DIN 32676)
p_N ≤ 16 bar

© 2023 BDSENSORS GmbH – The specifications given in this document represent the state of engineering at the time of publishing. We reserve the right to make modifications to the specifications and materials.

Ordering code BAROLI 02P

BAROLI 02P

□□□□ - □□□□ - 0 - □□ - 0K0 - □□□□ - □ - □ - □ - □ - □□□□

Pressure																		
gauge	M	0	G															
absolute ¹	M	0	H															
Input		[bar]																
		0.10	1	0	0	0												
		0.16	1	6	0	0												
		0.25	1	2	5	0	0											
		0.40	4	0	0	0	0											
		0.60	6	0	0	0	0											
		1.0	1	0	0	1												
		1.6	1	6	0	1												
		2.5	2	5	0	1												
		4.0	4	0	0	1												
		6.0	6	0	0	1												
		10	1	0	0	2												
		16	1	6	0	2												
		25	2	5	0	2												
		40	4	0	0	2												
		-1 ... 0	X	1	0	2												
	customer		9	9	9	9												consult
Accuracy		[BFSL]																
standard for $p_N \geq 0.4$ bar		0.125 %					B	2										
standard for $p_N < 0.4$ bar		0.250 %					B	5										
	customer						9	9										
Mechanical connection																		
G1/2" DIN 3852 with flush diaphragm ²							Z	0	0									
G1" DIN 3852 with flush diaphragm							Z	S	1									
Clamp 1 1/2" (DIN 32676) ³							C	6	2									
dairy pipe DN 25 (DIN 11851) ^{4,5}							M	7	3									
	customer						9	9	9									
Seals																		
for clamp or dairy pipe:	without							0										
	FKM							1										
	customer							9										
Diaphragm																		
	stainless steel 1.4435 (316L)							1										
	customer							9										
Front foil																		
	standard								1									
	neutral								N									
	customer								9									
Filling fluids																		
	silicone oil									1								
	food compatible oil									2								
	customer									9								
Special version																		
	standard												0	0	0			
	customer												9	9	9			

¹ absolute pressure possible from 0.4 bar

² possible only for $p_N \geq 1$ bar

³ possible only for $p_N \leq 16$ bar

⁴ possible only for $p_N \geq 0.25$ bar; cup nut for dairy pipe included and pre-assembled

⁵ The cup nut has to be mounted by production of pressure gauge. The cup nut has to be ordered as separate position.