

- PID Temperature Controller
- Up to 3 Control Loop
- Load monitoring and alarms
- Integrated power switch SSR
- Integrate current up to 90A per channel
- Extra rapid fuses
- Data always available via fieldbus
- Cable wiring and space reduction

CD AUTOMATION

POWERED BY INNOVATION

REVO RT

MULTIZONE TEMPERATURE CONTROLLER



**Compact MultiZone
Temperature and Power Controller**



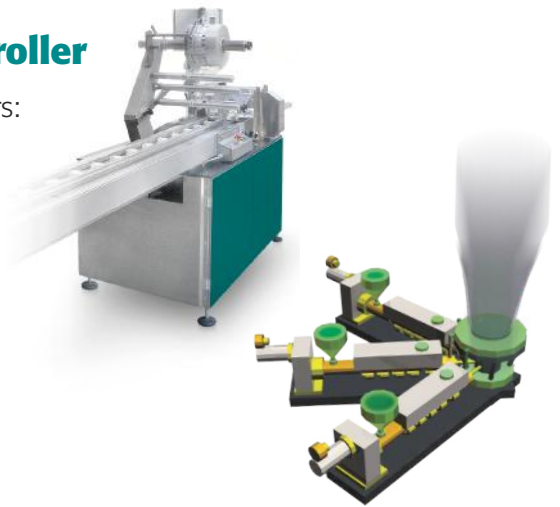
www.cdautomation.com
REVO RT Catalog 2021

REVO RT

REVO RT is a three independent PID loop controller

This series is suitable for industrial applications in the following sectors:

- Packaging machines
- Plastics machines (extruders and extrusion lines, extrusion heads and hot runner mold control units)
- Multi-zone ovens
- Long and medium wave IR lamp ovens
- IR drying process



One, Two and Three channels modules

- Up to 3 PID temperature controller heating or heating and cooling
- Solid State relay (SSR) up to 90A at 600V
- Extra rapid fuses
- Current transducer
- Load monitoring
- 5 alarm relay output
- Serial communication port
- Frontal USB programming port



Each loop

- Universal input - Current - Voltage - Thermocouple
- PID loop controller - Heating only - Heating & cooling - Configurable temperature alarm
- Frontal Led for easy diagnostic

Single Phase Load



Why 3 loops modularity?
because loads are better balanced

But, if the load cannot be balanced, a 2 loops unit can be added

Choosing this solution you will have:

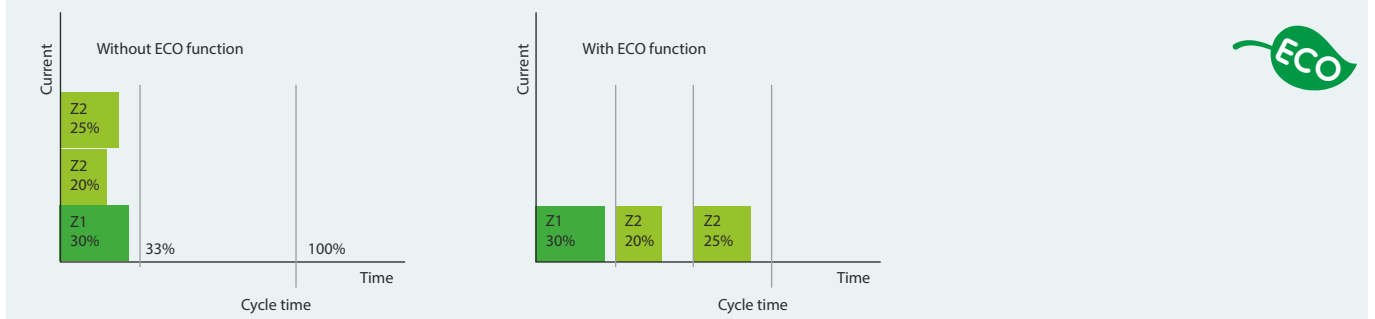


n° 2 control inputs
n° 1 inputs for measure

Special functions

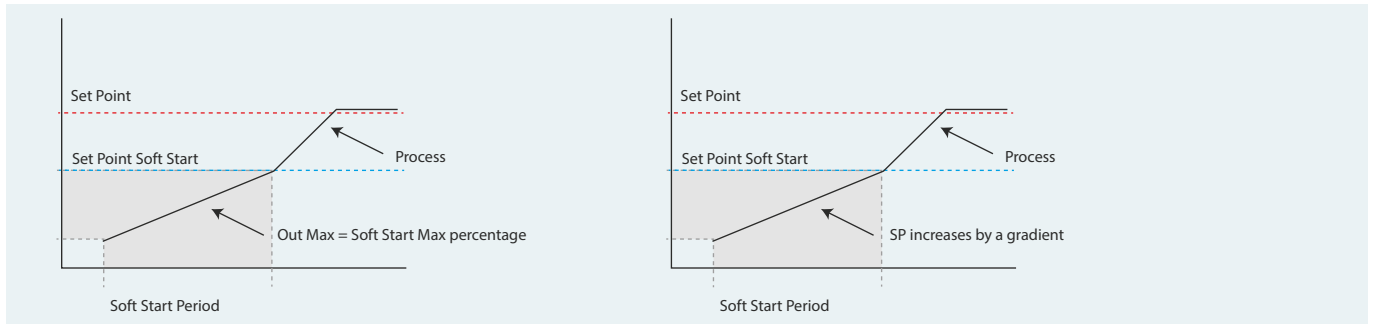
ECO Function for RT2 & RT3

The ECO function distributes the power during regulation (<33%) in the set cycle time.



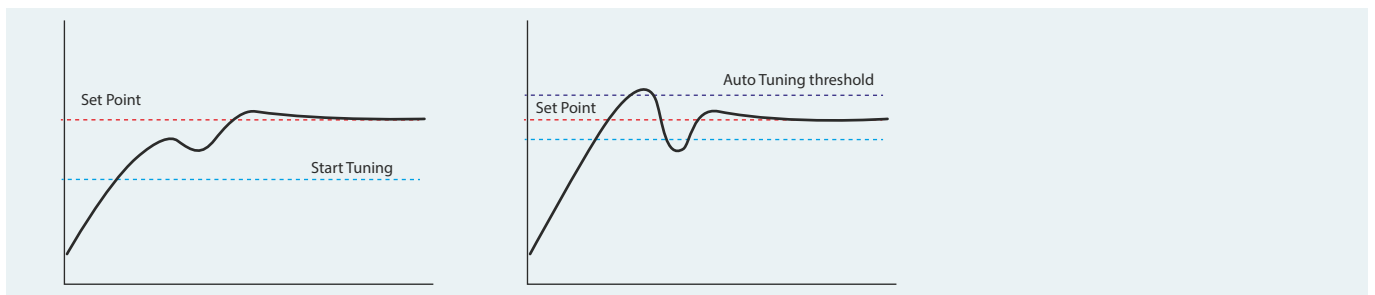
Soft Start

To avoid thermal shocks to the heating parts, limit the output power over a certain period of time, or ramp up to the set point upon activation of the regulation.



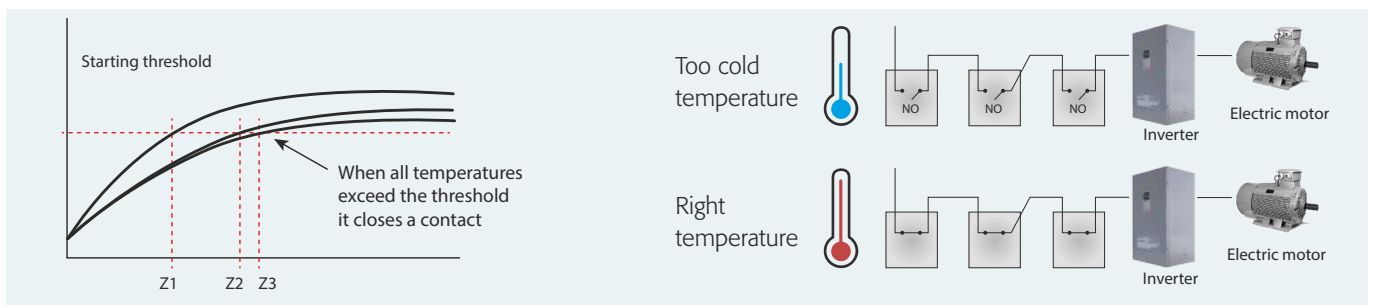
Auto Tuning

Automatic calculation of the Tuning parameters, with adaptive or single mode.

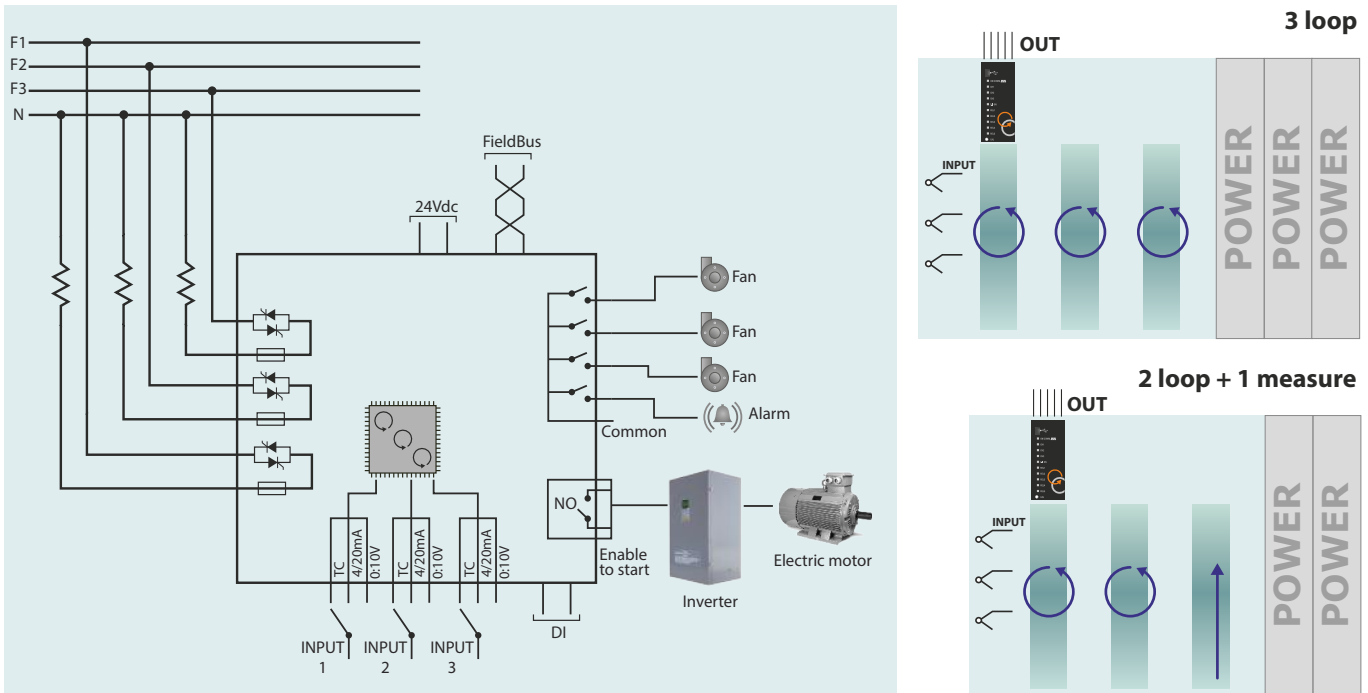


Enable to start

When all temperatures reach a predefined absolute threshold, a contact is closed to enable the extruder to start.



REVO RT multiloop 3 zones or 2 zones + measurement



Dramatic reduction in cable wiring

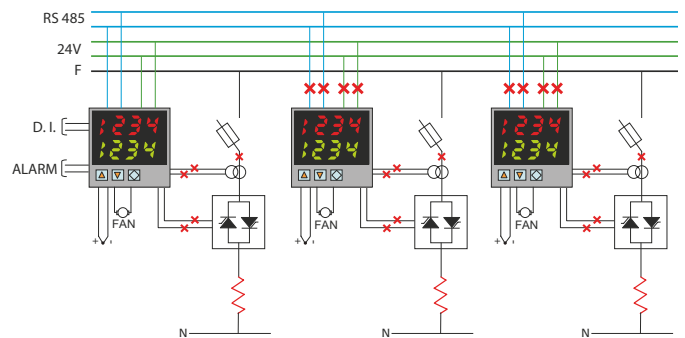
How many Zones/loops do you sell in one year?

Make a calculation of what you can save and you only have one decision to take.

How much it costs you each wire?

With REVO RT you save 6 wires for each zone and the related wiring accessories, significantly reducing the space used. Try to calculate the actual savings.

Our staff is at your disposal for further information



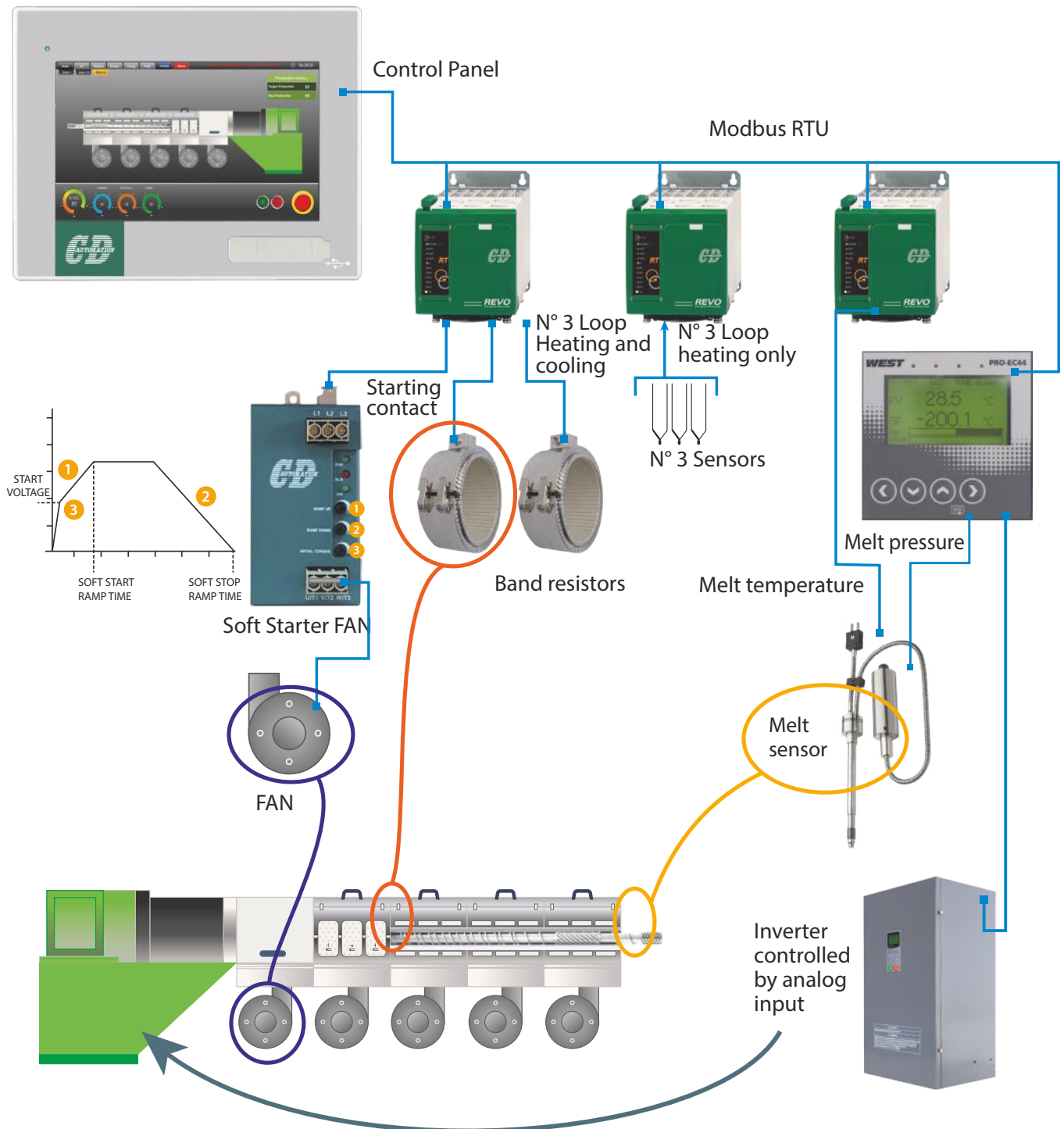
Traditional system



REVO RT system



Plastic extrusion, temperature and pressure



REVO RT 2 Loop + 1 Measure



Technical Specification

Size: SR25
Dimensions: H165 x W116 x D183 – 2,35Kg
Approvals: Comply with EMC

Zones

- 2 zones 35A each
- 2 zones 50A each
- 2 zones 75A each
- 2 zones 90A each

	1	2	3	4	5	6	7	8	9	10	11	12	13	14	15	16
ORDER CODE	R	T	2	-	-	-	-	-	-	-	-	-	-	-	-	-
N° ZONES X CURRENT RATING				4	5	6										
description				code	note											
2 Zones 35 A each + 1 Measurement				0	3	5										
2 Zones 50 A each + 1 Measurement				0	5	0										
2 Zones 75 A each + 1 Measurement				0	7	5										
2 Zones 90 A each + 1 Measurement				0	9	0										
MAX VOLTAGE				7												
description				code	note											
480V				4												
600V				6												
AUXILIARY VOLTAGE				8												
description				code	note											
24Vdc				4												
INPUT				9												
description				code	note											
N° 3 configurable inputs Tc, J, K, S or Analog Inputs 4:20mA or 0:10V				0												
FIRING				10												
description				code	note											
Burst Firing				B												
CONTROL MODE				11												
description				code	note											
N° 2 Loop Heating and Cooling or Heating Only to be configured by the customer + N° 1 measurement				0												
FUSES & OPTION												12				
description												code	note			
Fixed Fuse - No Option												F				
Fixed Fuse - Heater Break Alarm												H				
FAN VOLTAGE												13				
description												code	note			
Standard - 24Vdc Fan												3				
APPROVALS												14				
description												code	note			
CE EMC For European Market												0				
MANUAL												15				
description												code	note			
None												0				
Italian												1				
English												2				
German												3				
French												4				
VERSION												16				
description												code	note			
Version 1												1				

REVO RT 3 Loop



Technical Specification

Size: SR25
Dimensions: H165 x W116 x D183 – 2,35Kg
Approvals: Comply with EMC

Zones

- 3 zones 35A each
- 3 zones 50A each
- 3 zones 75A each
- 3 zones 90A each

	1	2	3	4	5	6	7	8	9	10	11	12	13	14	15	16
ORDER CODE	R	T	3	-	-	-	-	-	-	-	-	-	-	-	-	-
N° ZONES X CURRENT RATING				4	5	6										
description				code	note											
3 Zones 35 A each				0	3	5										
3 Zones 50 A each				0	5	0										
3 Zones 75 A each				0	7	5										
3 Zones 90 A each				0	9	0										
MAX VOLTAGE				7												
description				code	note											
480V				4												
600V				6												
AUXILIARY VOLTAGE				8												
description				code	note											
24Vdc				4												
INPUT				9												
description				code	note											
N° 3 configurable input as Tc, J, K, S or Analog Inputs 4:20mA or 0:10V				0												
FIRING				10												
description				code	note											
Burst Firing				B												
CONTROL MODE				11												
description				code	note											
N° 3 Loop Heating and Cooling or Heating Only to be configured by the customer				0												
FUSES & OPTION												12				
description												code	note			
Fixed Fuse - No Option												F				
Fixed Fuse - Heater Break Alarm												H				
FAN VOLTAGE												13				
description												code	note			
Standard - 24Vdc Fan												3				
APPROVALS												14				
description												code	note			
CE EMC For European Market												0				
MANUAL												15				
description												code	note			
None												0				
Italian												1				
English												2				
German												3				
French												4				
VERSION												16				
description												code	note			
Version 1												1				

REVO HMI

Several REVO RT can be connected to a REVO HMI series panel, equipped with a color display and software for the management up to 30 regulation zones.

The system is flexible and scalable, with few steps you can add groups of zones, view trends and rename zones.



FIELD BUS MODULE



Technical Specification

- Up to n° 8 REVO RT can be connected for each terminal module
- Secondary communication port to connect REVO HMI
- Main process variable available
- 24Vdc Power Supply
- Simplified configuration

	1	2		3	4	5	6	7		8	9	10	11	12	13	14	15	16
ORDER CODE	T	U	-	R	S	4	8	5	-	-	-	-	-	-	-	-	0	0

FIELD BUS OR COMMUNICATION	8	9	10	
description	code		note	
N° 1 Modbus TCP + N° 1 Modbus RTU slave	T	C	P	
N° 1 ProfiNet IO + N° 1 Modbus RTU slave	P	N	T	
N° 1 Profibus DP + N° 1 Modbus RTU slave	P	D	P	
N° 1 Ethernet IP + N° 1 Modbus RTU slave	E	I	P	

SECONDARY COMMUNICATION PORT	11	
description	code	note
None	0	
Modbus TCP	1	1

CONFIGURATION	12	13	
description	code		note
REVO RT	R	T	

CONFIGURATION	14	
description	code	note
Set data 1 (max 24 zones)	0	
Set data 2 (max 24 zones)	1	

N° ZONES	15	16	
description	code		note
Not configured	0	0	
N°3 channel	0	3	
N°6 channel	0	6	
N°9 channel	0	9	
N°12 channel	1	2	
N°15 channel	1	5	
N°18 channel	1	8	
N°21 channel	2	1	
N°24 channel	2	4	

Note (1): Not available with Modbus TCP Field Bus Communication (T-C-P on digit 8-9-10)

Each REVO RT unit always has three mixed channels (regulation or measurement), here are some examples:

- N°1 TU-RS485-PNT-ORT024 can handle max N°8 RT3035 (three loop 1PH) for a total of 24 thermoregulation loops.
- N°1 TU-RS485-PNT-ORT024 can handle max N°6 RT3035 (three loop 1PH) plus N°2 RT2035 for a total of 22 thermoregulation loops and 2 measures.

GENERAL FEATURES

Display Software

0.1	LED Diagnostic	LED diagnostics provides clear alarm notification
0.2	Fully Software Configurable	REVO RT is fully Software configurable

Electrical Features

1.1	Current rating	35 to 90A
1.2	Voltage	Up to 600V
1.3	Integrated Fuse	Reduces labour time and cabinet space compared to external fusing whilst benefiting from internal fan cooling helping to reduce fuse temperature
1.4	Quick and easy access to Fuses	Fuses and thyristors are mounted directly behind the front panel door.

Firing & Input

2.1	Firing mode	Burst Firing
2.2	Cod. Input	The std analog inputs 0-1V, 0-5V, 0-10V, 0-20mA, 4-20mA, 0-60mV and thermocouple K, S, R, J, T, E, N, B Configurable via Software

Digital Output

3.1	Modbus® RTU	Standard
3.2	USB device on front unit for configuration	Allows the user to easily and safely configure the REVO RT unit by powering through the USB connection only, without connecting a standard voltage line supply

Extra Features

4.1	HB and Sc Alarm	Alarm for Partial or Total Load Failure and Short Circuit on SCR with Electromechanical Relay output 5A at 30Vdc
4.2	Free configuration Software	Easy to use and powerful Configurator Software, available free of charge from www.cdautomation.com

General Features and Approvals

5.1	Industry-leading and Serviceability	Generous sizing of Thyristors and Thermal Parts using high efficiency Heatsink
5.2	Approvals	CE-EMC 480-600V versions is available on request



Italy

CD Automation Srl
Via Picasso, 34/36
20025 Legnano MI
Italy
T +39 0331 577479
F +39 0331 579479
sales@cdautomation.com
www.cdautomation.com

United Kingdom

CD Automation UK Ltd
Unit 9 Harvington Business Park
Brampton Road, Eastbourne
East Sussex, BN22 9BN
England
T +44 1323 811100
info@cdautomation.co.uk
www.cdautomation.co.uk

India

M/s Toshcon CD Automation Pvt. Ltd.
H1 - 75 Gegal Industrial Area
Ajmer - 305023 (Raj.)
India
T +91 145 2791112
T +91 145 6450601/2/3
sales.cd@toshcon.com
www.cdautomation.in