

DOGAMAK

Hydraulic chuck and spare
parts

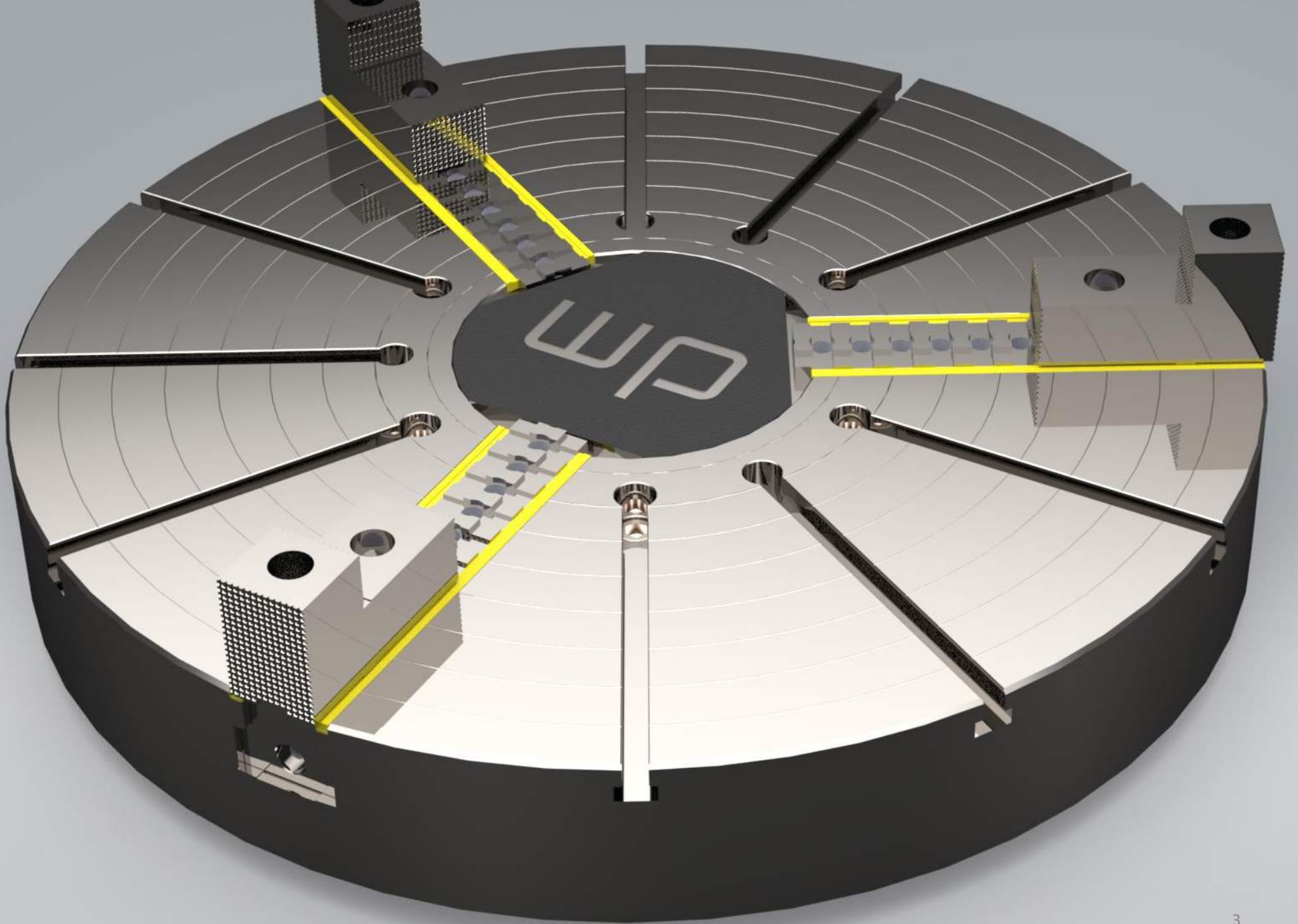
dm
SINCE 1978



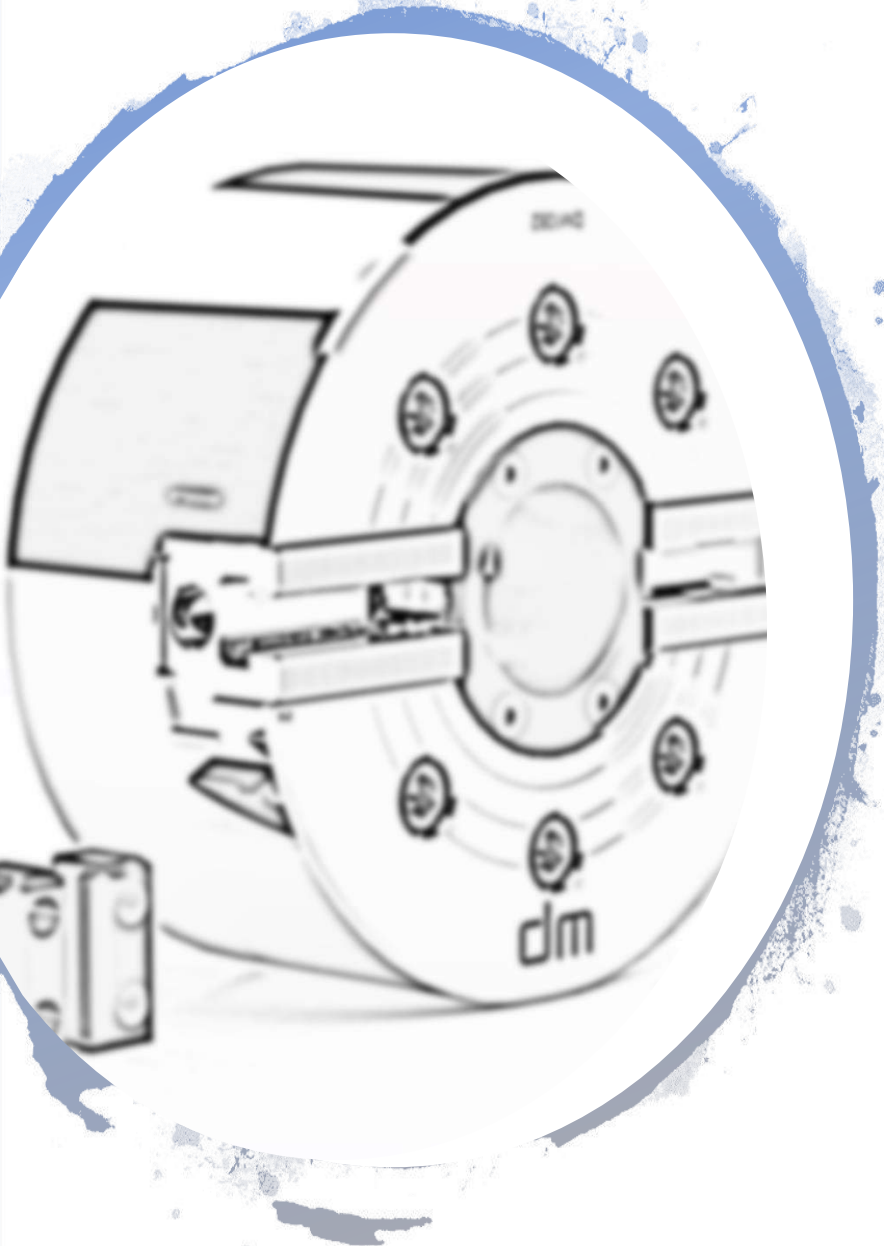
dm
SINCE 1978

DOGAMAK

Hidrolik Aynaları







- **ABOUT US**

- Since 1978, we have been a sub-industry to the large industrial organizations of our country and we have been a successful solution partner as a subcontractor and mass production, and we continue our manufacturing to meet the demands of industrial companies.

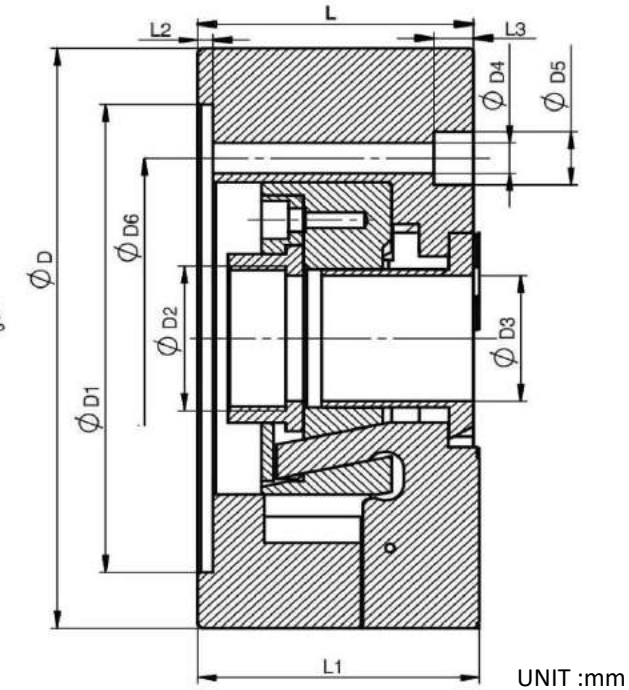
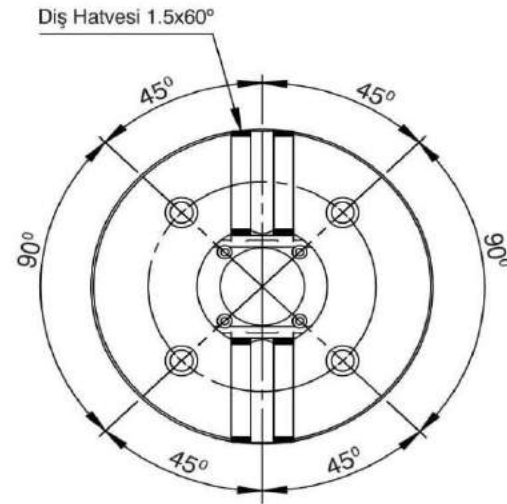
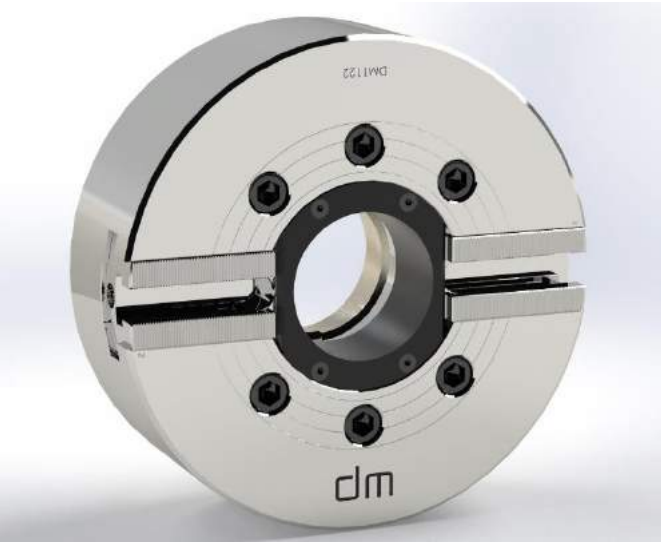
-

Our company, which closely follows new developing technologies, bought its first CNC machine in 1989 and became a pioneer in this sector. Since 2002, it has ISO quality certificate and has been maintaining it.

- With 42 years of production experience, our company, which has entered the industrial sector with firm steps with its own brand, has started to manufacture hydraulic mirrors and equipments under the brand name DOGAMAK and through Doğruyol Makina İth.İhr.San ve Tic.Ltd company.

6 inch and above 2 legged, 3 legged, 4 leggedcnc hydraulic chucks with the best materials and workmanship, without sacrificing quality, has started to market in many countries, including Turkish industry and abroad.

2 Legged Open Centre Hydraulic Chucks



UNIT :mm

Standard accessory

- 1 Set Standard soft feet
- 1 Set T nut (Connection Lug)
- ISO A Adapter (Connection Flange)
- Connection bolts 12/9
- Puller nut

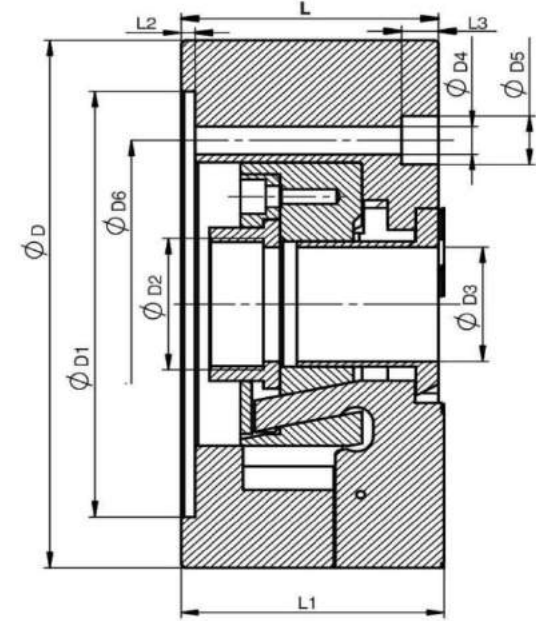
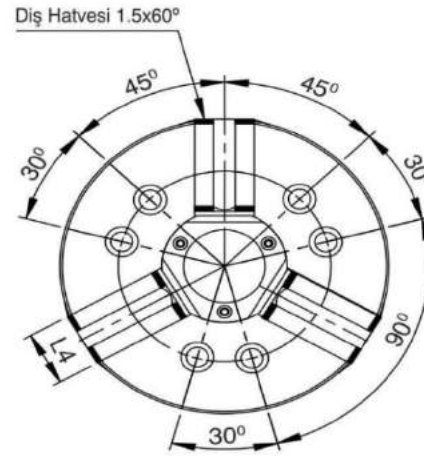
Open Center 2 jaws Hydraulic Chuck

All parts are hardened by heat treatment and the working surfaces are ground. It has high rigidity, precision and strength properties.

Standard connection flange ISO -A (Flange) adapters and soft feet included in the box .The guarantee is 12 months.

Ürün	D	D1	D2	D3	D4	D5	D6	L	L2	L3
DM1062	169	140	M55X2	46	12	17	104,8	81	5	12
DM1082	210	170	M60X2	54	13,5	17	133,4	91	5	18
DM1102	254	220	M85X2	75	17	25	171,4	100	5	18
DM1122	305	220	M100X2	91	17	25	171,4	110	5	18
Product Code	Foot Stroke	Maximum RPM	Maximum Tensile Force	Maximum Compression Force	Piston Stroke	Weight				
DM1062	5,5	6000	15KN	38KN	13	12				
DM1082	7,3	5000	23KN	57KN	17	24				
DM1102	8,5	4200	25KN	74KN	20	36				
DM1122	10,2	3300	37KN	94KN	20	49				

3 Legged Open Centre Hydraulic Chucks



Standard accessory

- 1 Set Standard soft feet
- 1 Set T nut (Connection Lug)
- ISO A Adapter (Connection Flange)
- Connection bolts 12/9
- Puller nut

3 Legged Open Centre Hydraulic Chucks

All parts are hardened by heat treatment and the working surfaces are ground. It has high rigidity, precision and strength properties.

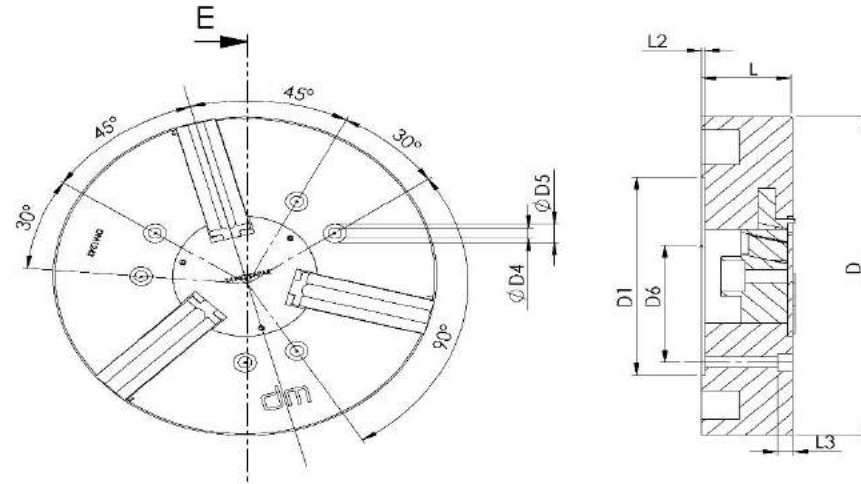
Standard connection flange ISO -A (Flange) adapters and soft feet included in the box .The guarantee is 12 months.

BİRİM:mm

Ürün	D	D1	D2	D3	D4	D5	D6	L	L2	L3
DM1063	169	140	M55X2	46	12	17	104,8	81	5	12
DM1083	210	170	M60X2	54	13,5	20	133,4	91	5	18
DM1103	254	220	M85X2	75	17	25	171,4	100	5	18
DM1123	305	220	M100X2	91	17	25	171,4	110	6	18
DM1153	381	300	M130X2	100	22	32	235	134	6	22

Product Code	Foot Stroke	Maximum RPM	Maximum Tensile Force	Maximum Compression Force	Piston Stroke	Weight
DM1063	5,5	6000	21KN	56KN	13	12
DM1083	7,3	5000	35KN	85KN	17	24
DM1103	8,5	4500	42KN	110KN	20	36
DM1123	10,2	3500	54KN	143KN	20	49
DM1153	12,6	2500	71KN	170KN	22	120

3 Legged Closed Centre Hydraulic Chucks



unit:mm

Standard accessory

- 1 Set Standard soft feet
- 1 Set T nut (Connection Lug)
- ISO A Adapter (Connection Flange)
- Connection bolts 12/9
- Puller nut

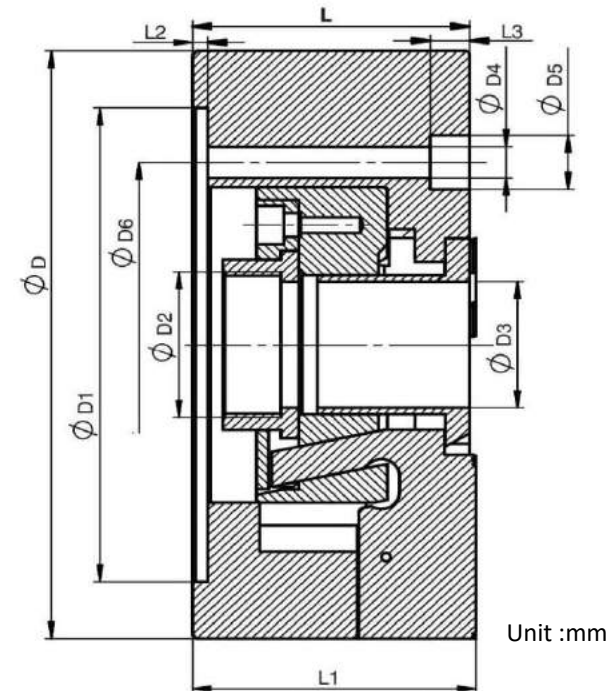
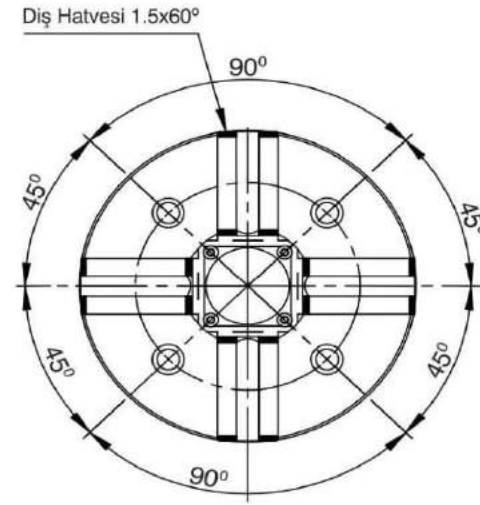
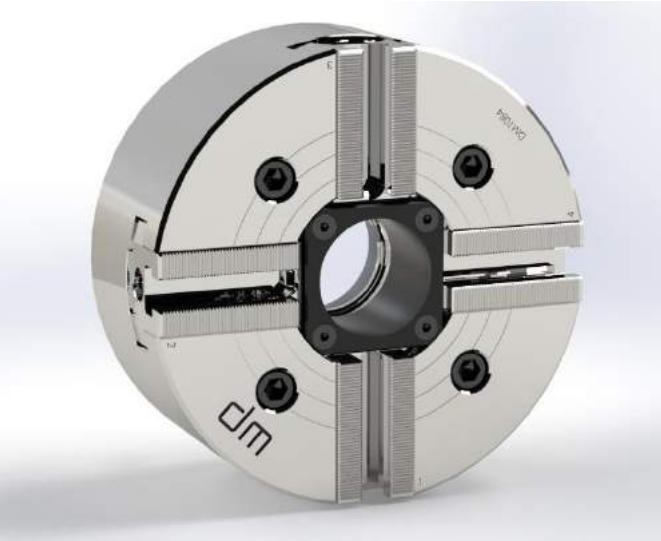
3 Legged Closed Centre Hydraulic Chucks

All parts are hardened by heat treatment and the working surfaces are ground. It has high rigidity, precision and strength properties. Standard connection flange ISO -A (Flange) adapters and soft feet included in the box .The guarantee is 12 months.

product	D	D1	D2	D3	D4	D5	D6	L	L2	L3
DM1183	450	300	-	-	24	35	235	114	6	30
DM1213	530	380	-	-	24	35	330,2	125	6	30
DM1243	610	380	-	-	21	36	330,2	125	6	25

Product Code	Foot Stroke	Maximum RPM	Maximum Tensile Force	Maximum Compression Force	Piston Stroke	Weight
DM1183	16	2100	91	186	40	124
DM1213	16	1940	82	273	35	180
DM1243	16	1760	82	273	35	223

4 Legged Open Centre Hydraulic Chucks



- Standard accessory**
- 1 Set Standard soft feet
 - 1 Set T nut (Connection Lug)
 - ISO A Adapter (Connection Flange)
 - Connection bolts 12/9
 - Puller nut

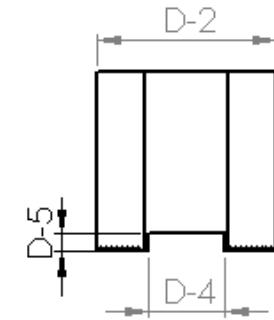
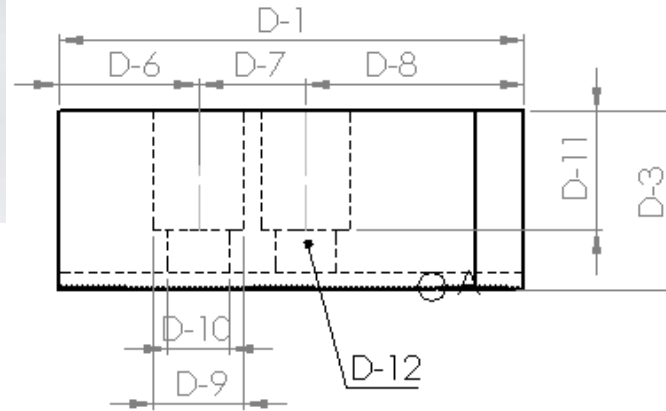
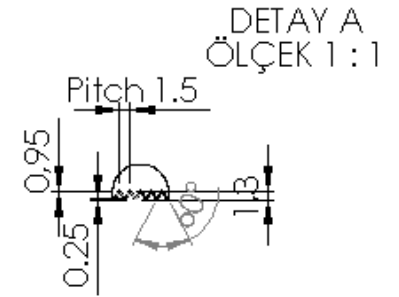
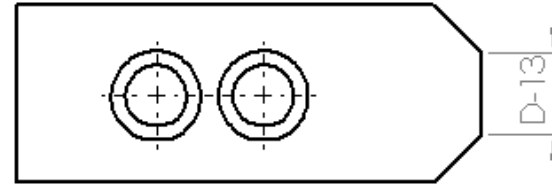
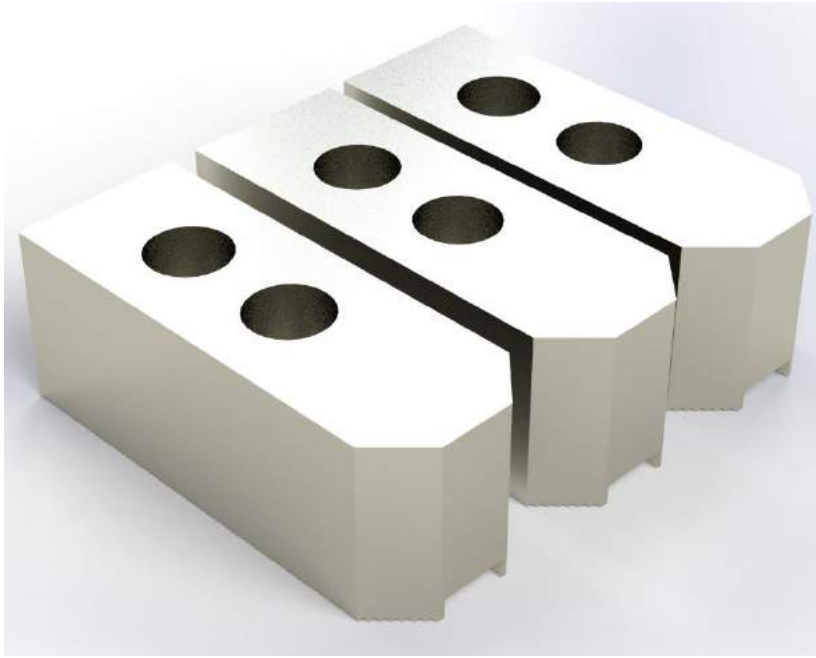
4 Legged Open Centre Hydraulic ChucksAll

parts are hardened by heat treatment and the working surfaces are ground. It has high rigidity, precision and strength properties.

Standard connection flange ISO -A (Flange) adapters and soft feet included in the box. The guaranteed

Ürün	D	D1	D2	D3	D4	D5	D6	L	L2	L3
DM1084	210	170	M60X2	54	13,5	20	133,4	91	5	18
DM1104	254	220	M85X2	75	17	25	171,4	100	5	18
DM1124	305	220	M100X2	91	17	25	171,4	110	6	18
DM1154	381	300	M130X2	100	22	32	235	134	6	22
Product Code	Foot Stroke	Maximum RPM	Maximum Tensile Force	Maximum Compression Force	Piston Stroke	Weight				
DM1084	7,3	5000	23KN	57KN	17	24				
DM1104	8,5	4200	28KN	74KN	20	36				
DM1124	10,6	2500	43KN	120KN	21	120				

Standard Soft Leg



Unit :mm

product code	D-1	D-2	D-3	D-4	D-5	D-6	D-7	D-8	D-9	D-10	D-11	D-12	D-13
1060YM	73	31	36	12	5	15	20	38	17	11	21	M10	14
1080YM	95	35	37	14	5	24	25	46	19	13	22	M12	16
1100YM	110	40	42	16	5	30	30	50	19	13	27	M12	18
1120YM	130	50	50	21	5	39	30	61	25	17	33	M16	23
1150YM	165	62	62	22	8	37	43	85	32	21	38	M20	26

Standard Rigid Leg

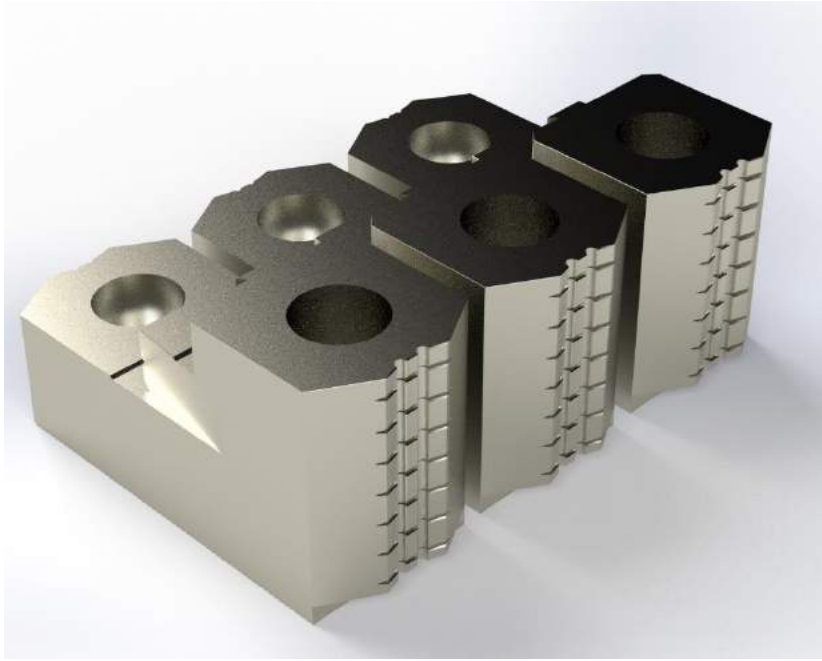


Fig-1

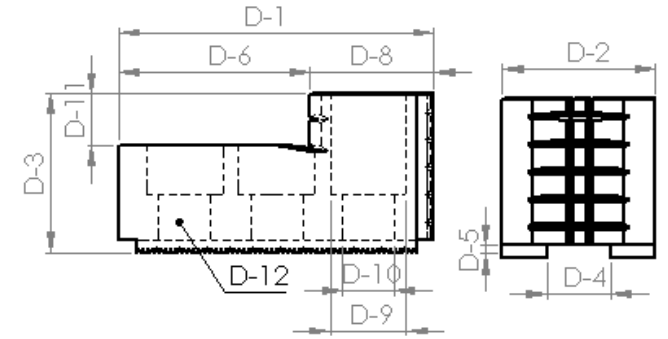
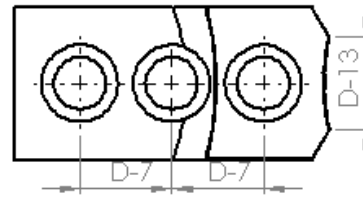
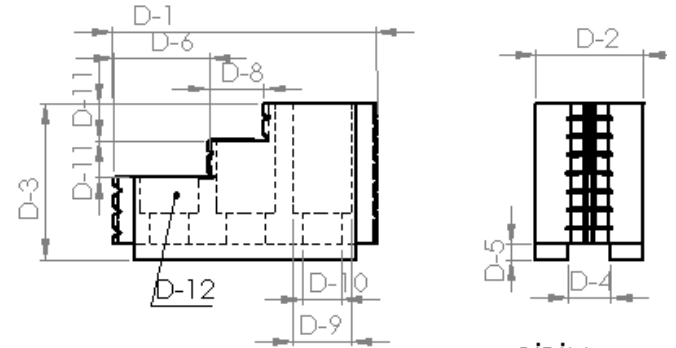
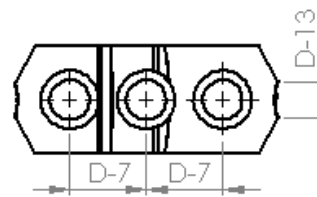


Fig-2

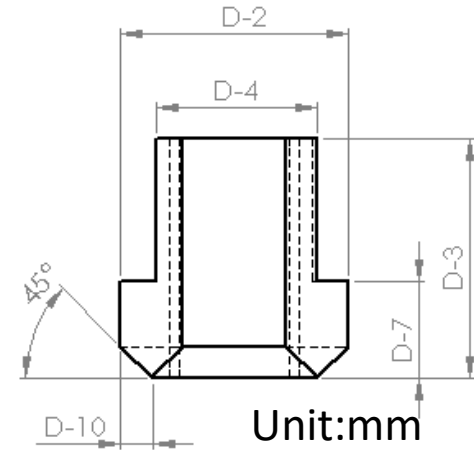
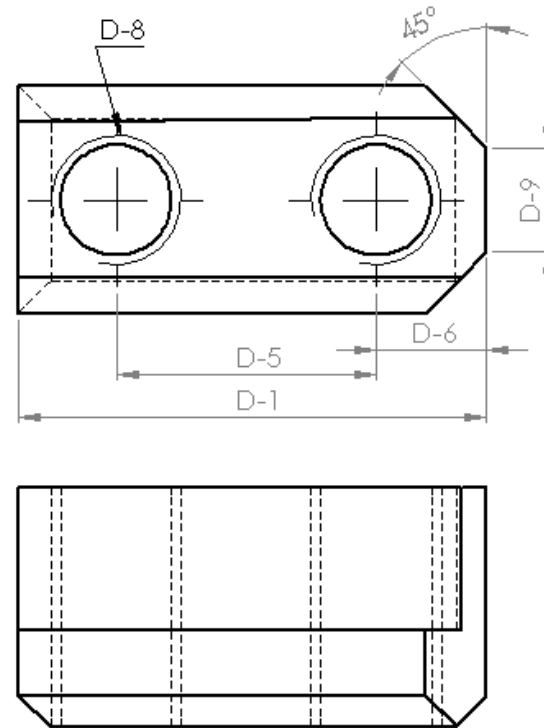
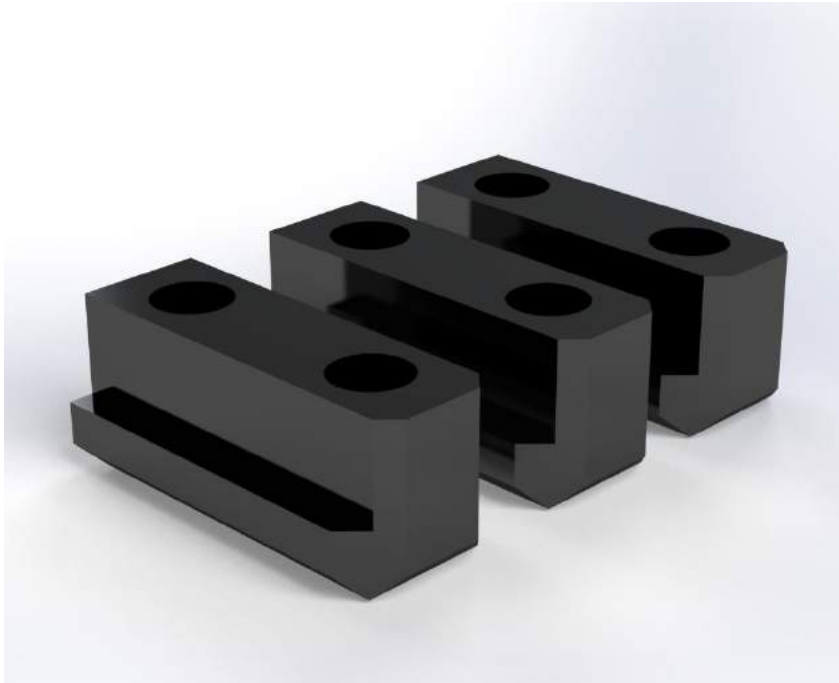


BİRİM : mm

Unit:mm

Product Code	D-1	D-2	D-3	D-4	D-5	D-6	D-7	D-8	D-9	D-10	D-11	D-12	D-13	Reference
DMSA06	67	31	35	12	5	39,5	20	27,5	17	11	12	M10	11	Fig-2
DMSA08	66	35	51	14	5	31	25	18	19	13	12	M12	12	Fig-1
DMSA10	99,5	40	54	16	5	43	30	17	19	13	13	M12	15	Fig-1
DMSA12	103	50	52	21	4	62,5	30	40,5	25	17	17	M16	30	Fig-1

T lug (Connection Lug)



Unit:mm

Product code	D-1	D-2	D-3	D-4	D-5	D-6	D-7	D-8	D-9	D-10
1060TP	36	17,5	18,5	12	20	8,2	7,5	M10	8	2,5
1080TP	46,5	20,5	20,5	14	25	10,5	8,5	M12	12	4
1100TP	51	22,5	21,5	16	30	11	8,5	M12	11	3
1120TP	55,5	29,5	27,8	21	30	12	11,5	M16	13	4,5
1150TP	80	33,5	45,5	24	43	17	18,5	M20	11	5

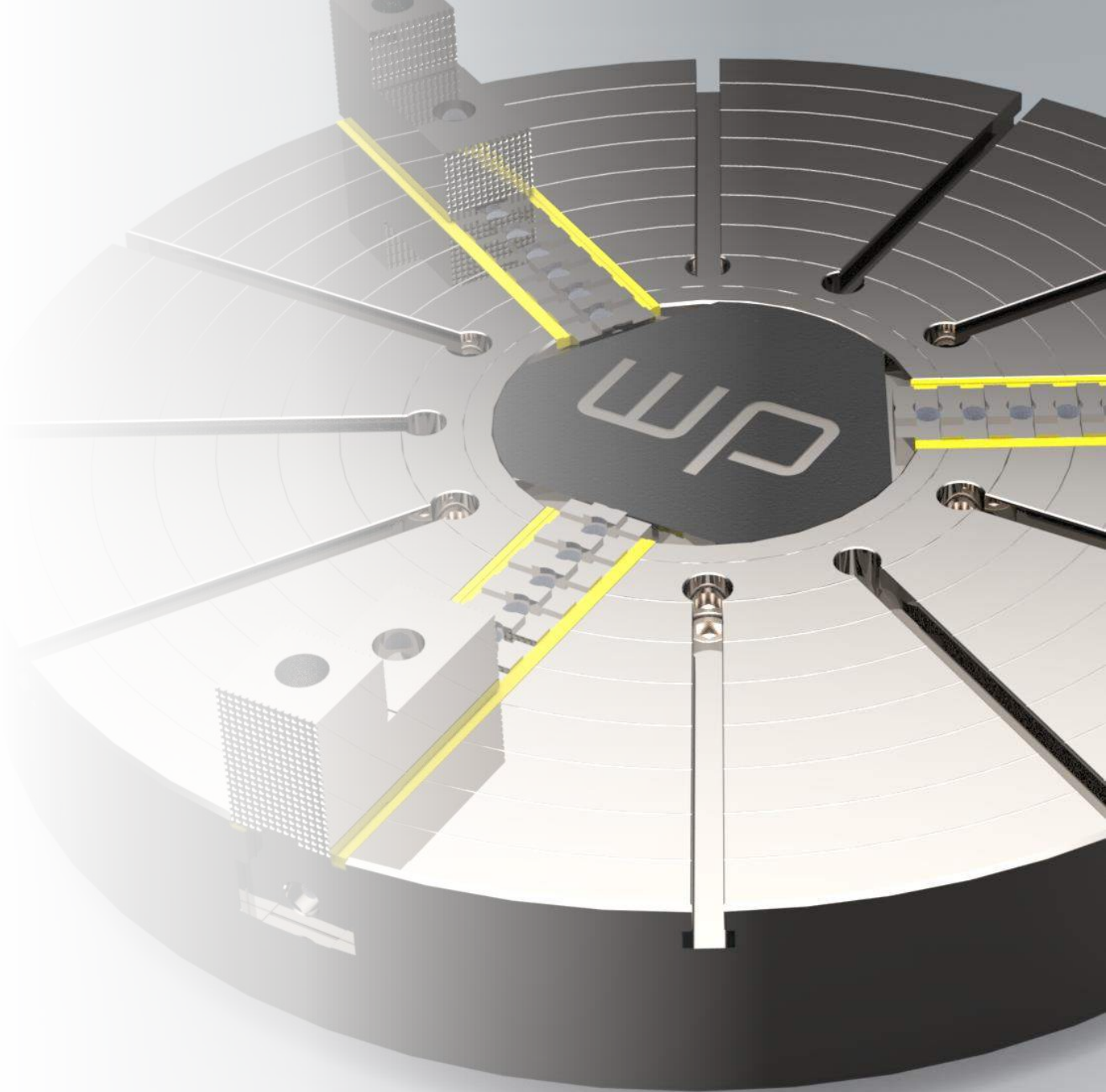
Special Design Hydraulic Chuck Manufacturing

Save disassembly and assembly time with hydraulic chucks designed to process many parts at the same time in one chuck...



Large Diameter Hydraulic Chucks

- Between 21 inches and 50 inches, special design or standard large diameter closed centre hydraulic chuck manufacturing is produced according to your needs with our design team.





DOGA MAKINA Import. Ihr. San. Tic. Ltd.
Sti.Doğruyol Machine Import. Ihr. San. Tic.
Ltd. Sti.

OUR CONTACT DETAILS

Adres : Ramazanođlu mah. Göreme sok. no:3 Pendik-İstanbul

fix : (216) 378-2380

fix : (216) 378-0196

Phone : (533) 665-9620

web : www.dogamakina.com | www.dogamak.com

web : www.hidrolikayna.com

e-mail : info@dogamakina.com | info@hidrolikayna.com