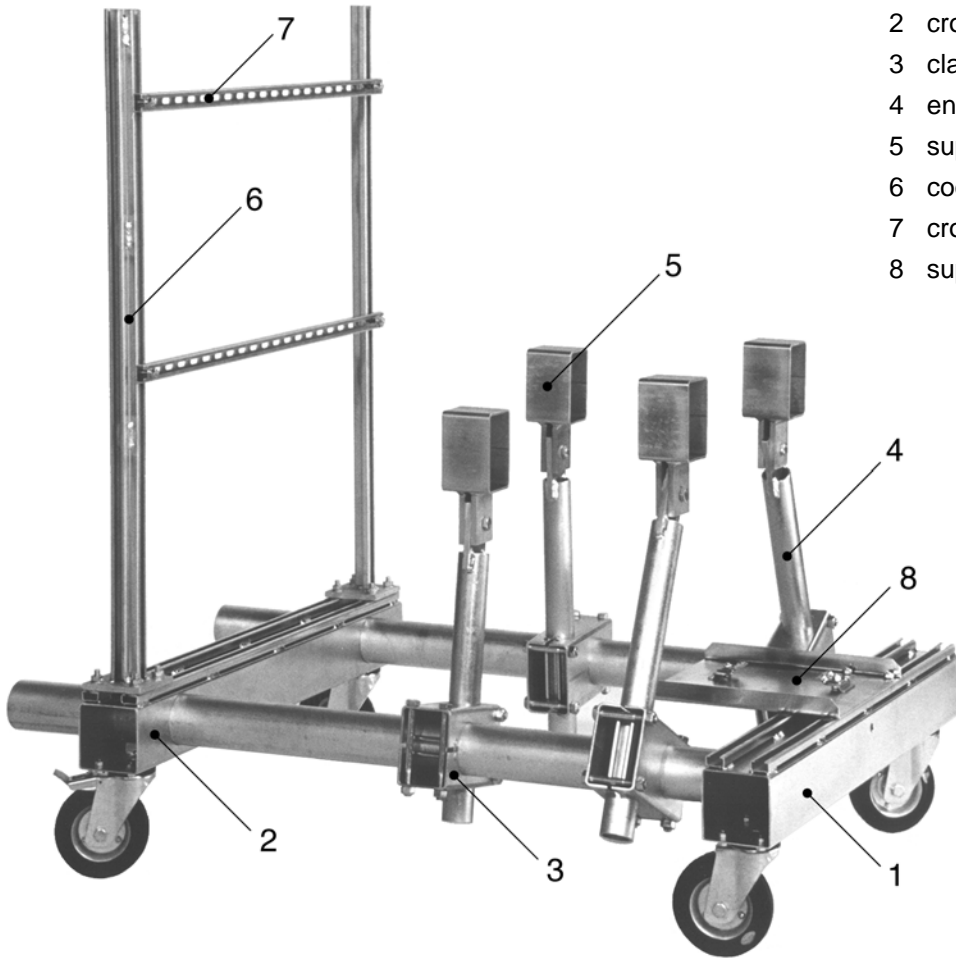


RWB mobile operation trolley

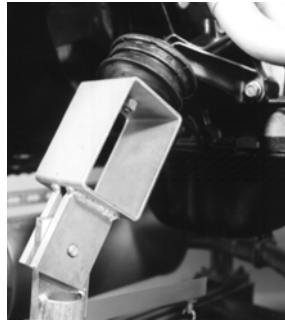
the construction kit for engine supports

for operating engines under load at the power test bed or without load
stable, insensitive to vibration, modular, reusable





- 1 base frame
- 2 cross member, adjustable
- 3 clamp
- 4 engine support
- 5 supporting head
- 6 cooler support
- 7 crossbar for cooler support
- 8 support for battery



Supporting heads are versatile.

Instead of the supporting heads pairs of angle parts are available.

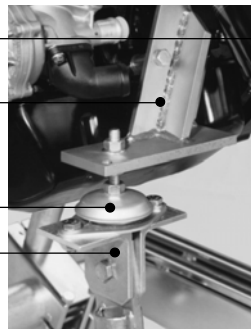


engine flange

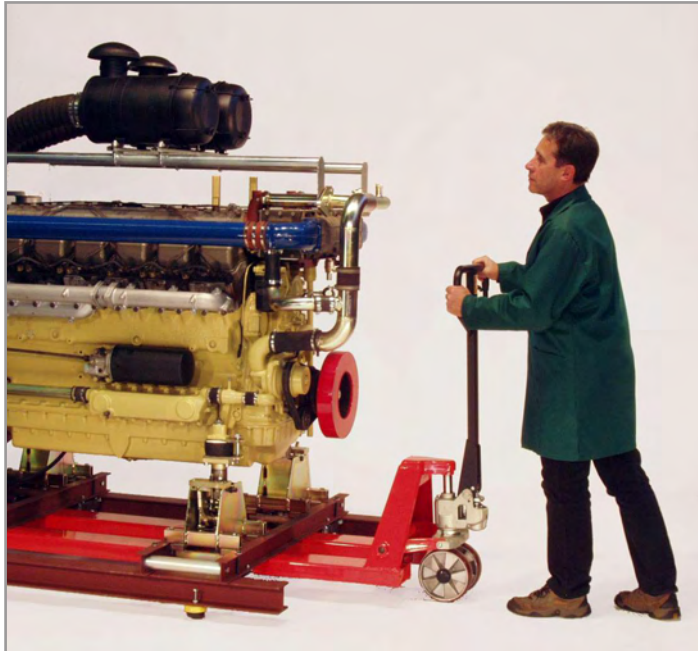
engine foot

elastic mount

angle part



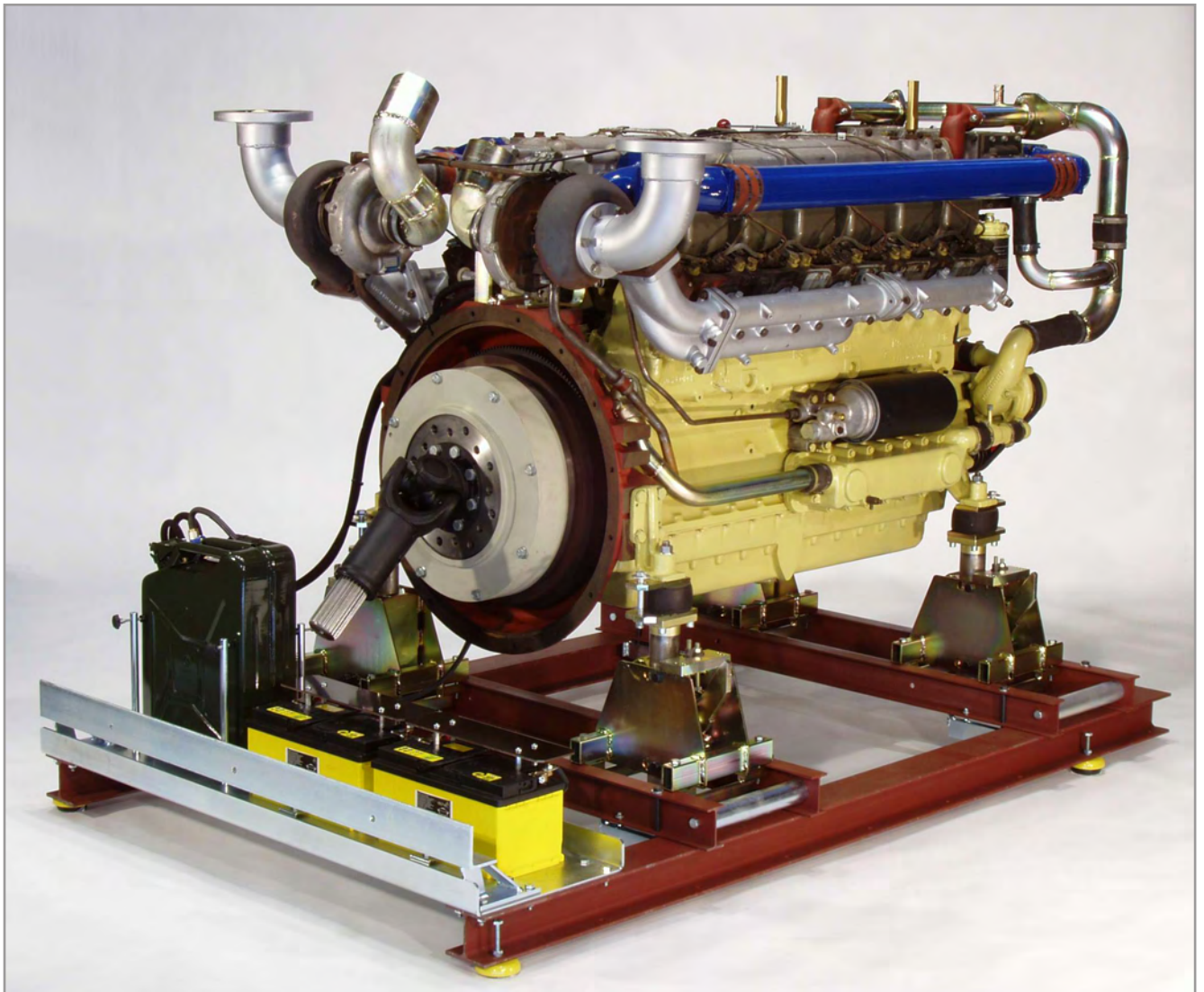
Universal engine supports



can be moved ...

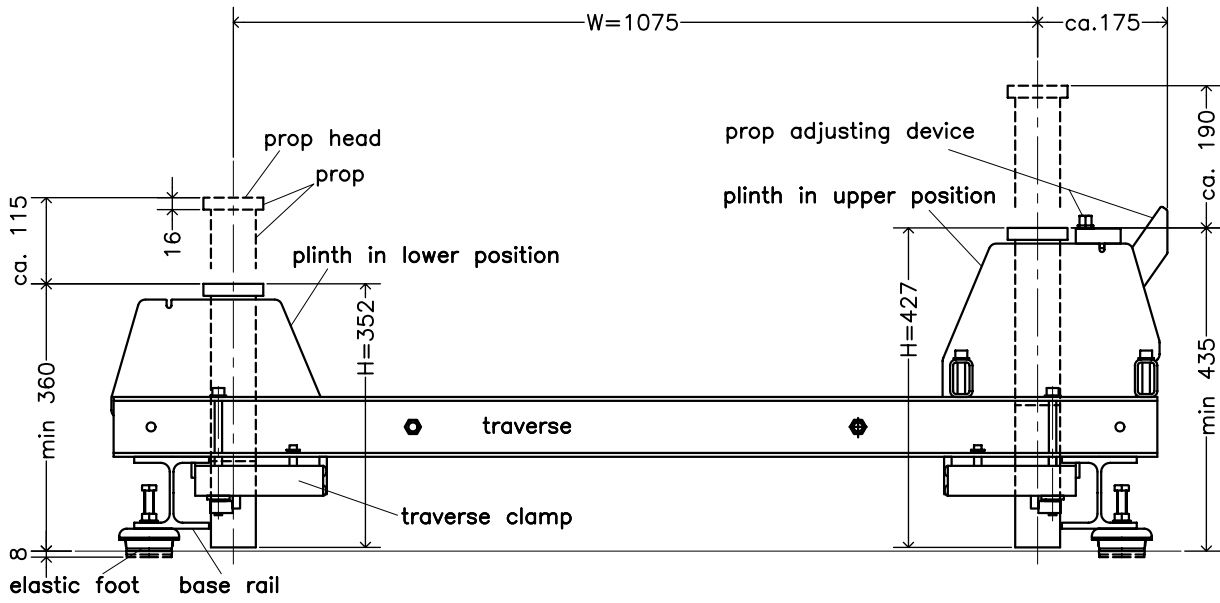


... and adjusted easily.

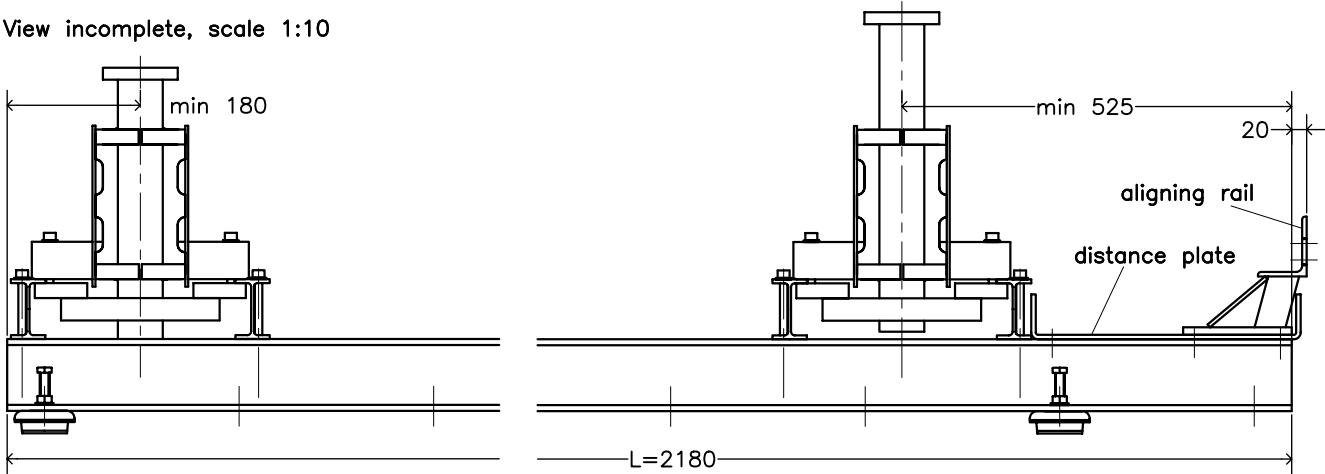


Specify your engine support:

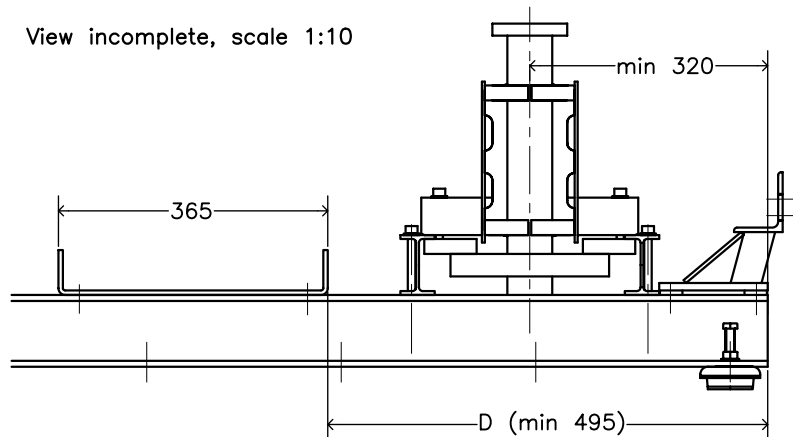
View incomplete, scale 1:10



View incomplete, scale 1:10

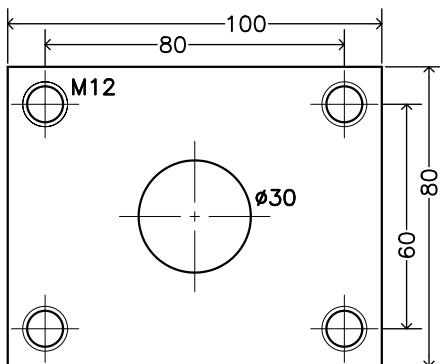


View incomplete, scale 1:10



Prop head

Scale 1:2



Patent pending

Weinlich GmbH & Co. KG

Industriestr. 6
D - 68799 Reilingen
Germany

Phone 0 62 05 - 40 25
Fax 0 62 05 - 1 77 44
int'l 49 62 05 -

Email: info@weinlich.de
Internet: www.weinlich.de

DP 616/407 GB
dp/gb616.pdf