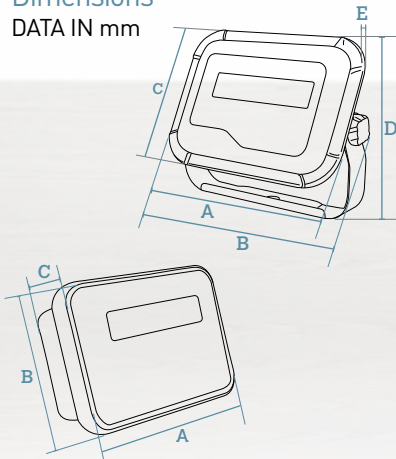


WEIGHT
INDICATOR

DMI-610

Dimensions
DATA IN mm



DMI-610 Basic ABS
and DMI-610 ABS

DMI-610 S. Steel

A	249	260
B	174	273
C	108	188
D		210.5
E		74



DMI-610 Basic ABS
or DMI-610 ABS

DMI-610
stainless steel



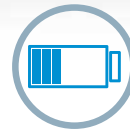
LED
SEGMENT
DISPLAY



CONNECTABLE TO
PLATFORM UP TO
14 LOAD CELLS



RS-232



INTERNAL
RECHARGEABLE
BATTERY
OPTIONAL



METROLOGICAL
VERIFICATION
OPTIONAL (EU)

Characteristics and functionality

Outstanding functions

- Weight-Tare-Accumulation.
- Piece counting.
- Checkweighing (minimum-target-maximum).
- Dosing: 1 product / 2 speeds (with 4 Input/Output option. Only available for DMI-610 stainless steel).
- Checkweighing (with 4 Input/Output option. Only available for DMI-610 stainless steel).
- 4-20 mA / 0-10 V analog output (optional and only available for DMI-610 stainless steel).
- Real time clock, battery-run.
- Optional ALIBI memory (pending type approval).
- Repeater.

CPU

- Processor / Microprocessor: ARM 32 bit cortex M3.
- Memory: 256 Kb Flash and 48 Kb RAM.

Weighing

- Connection to 1 weighing platform of up to 14 load cells.
- Alignment: up to five adjustment points.
- Up to 6,000 divisions. Monorange, multirange or multiinterval.

Construction

- Structure:
 - High-resistance ABS plastic in models DMI-610 Basic ABS and DMI-610 ABS.
 - AISI 304 stainless steel in model DMI-610 stainless steel.
- Keypad and display:
 - Keypad with 7-keys and LED display with 6 red digits (1" - 25.4 mm).
- Working mode: weight (kg, lb), piece counting, checkweighing...
- Adjustable angle mount for table or wall included.

Communication to PC

- Two RS-232 ports, one of them selfpowered (5 V / 500 mA).
- Ethernet (TCP/IP and UDP) (optional).
- RS-485/RS-422 optional (only available for DMI-610 stainless steel).
- Several communications protocols available (contact us).

PC Software

- DCM:
 - Configuration of the indicator and backup.
 - Management and processing of data gathered by the indicator.

Power supply

- 230 V / 50 Hz; 115 V / 60 Hz in models DMI-610 ABS and DMI-610 stainless steel.
- 12 VDC adaptor in model DMI-610 Basic ABS.
- Internal rechargeable battery (Li-ion), optional in models DMI-610 ABS and DMI-610 stainless steel.
 - Up to 44 hours' runtime (depending on conditions of use).

Possible integration with other equipment

- Dibal LP-545 manual weigh-price labeller.
- Cely RD-4 repeater (or other DMI as repeater).

Other possible connections

- External printer.
- Other devices, with 4 Input/Output option and only available in model DMI-610 stainless steel.

Models

DMI-610 BASIC ABS

- Connectable to 1 weighing platform of up to 14 load cells.
- It does not offer any options.

Ref.: **7VA0A0N1UE + 49-6000**

DMI-610 ABS

- Connectable to 1 weighing platform of up to 14 load cells.
- Internal rechargeable battery, optional.
- It does not offer all the options.

Ref.: **7VA3A0N1UE + 49-6000**

DMI-610 S. STEEL

- Connectable to 1 weighing platform of up to 14 load cells.
- Internal rechargeable battery, optional.
- It offers all the options.

Ref.: **7VA3A0I1UE**

Options

Option	Specifications	Ref.
Internal rechargeable battery (Li-ion) *		Consult
Ethernet communication *	TCP/IP and UDP.	Consult
4 Input/Output *	Dosing with queue control included. (Only available in DMI-610 stainless steel).	Consult
Analog output *	4-20 mA / 0-10 V. (Only available in DMI-610 stainless steel).	Consult
RS-485/RS-422 communications	(Only available in DMI-610 stainless steel).	Consult
ALIBI memory	<i>(Pending type approval).</i>	Consult
Connection to external power supply 12/24		Consult
DCM software	Configuration of the indicators and backup. Management and processing of data gathered by the indicators. (See section on software).	7340C0U3
Metrological verification (M)	According to EU weighing directives for indicator + platform assemblies. (See section on equipment metrological verification).	Consult

* The options: Internal rechargeable battery, Ethernet communication, 4 Input/Output and Analog output, cannot be simultaneous.

Note: The DMI-610 Basic ABS indicator does not allow options.

Accessories



Iron column kit for DMI-610 BASIC ABS or DMI-610 ABS indicators

H330 mm column
Ref: 494584A

H660 mm column
Ref: 494585A



Stainless steel column kit for DMI-610 stainless steel indicator

H330 mm column
Ref: 494533B

H660 mm column
Ref: 494535B