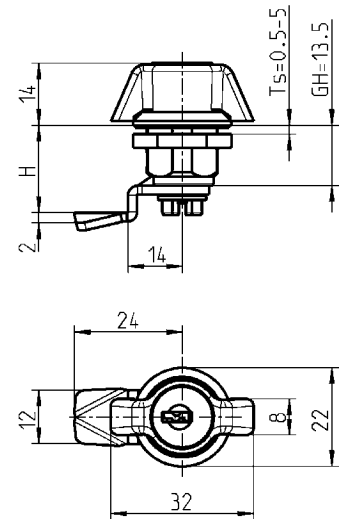
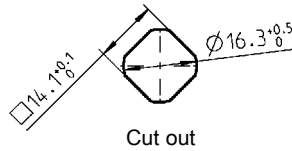
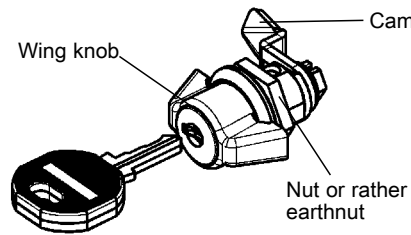
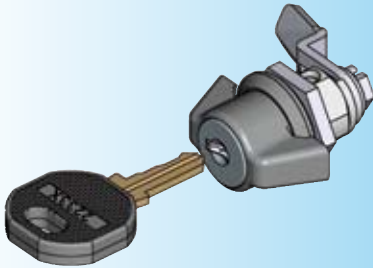


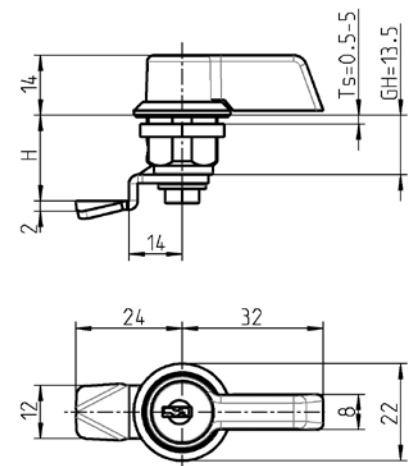
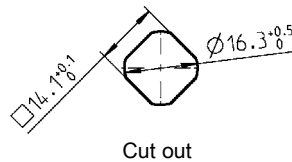
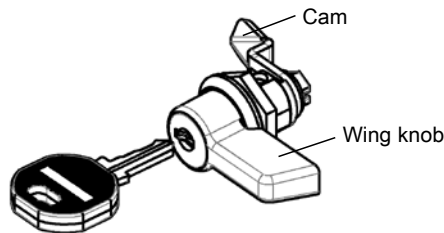
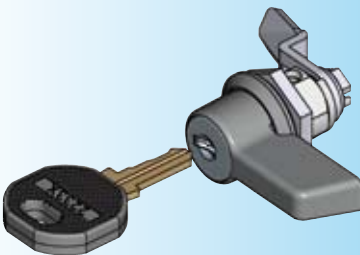
Wing knob quarter turn, small version PROGRAM 1022

Beschlagteile



Wing knob with housing zinc die, round cyl. zinc die with stainless steel cap, nut or earth nut and screw m.s. zinc plated.
Each round cylinder has one silver steel key with polyamide grip GF black.

non lock- ing*	keyed alike 2233X	keyed different		non lock- ing*	keyed alike 2233X	keyed different
chrome plated			black powder coated			
1022-U29	1022-U31	1022-U33	Nut	1022-U37	1022-U39	1022-U41
1022-U30	1022-U32	1022-U34	Earthnut	1022-U38	1022-U40	1022-U42
Cam m.s. zinc plated, t = 2						
H = 7,5	1022-20	H = 13.5	1022-07	H = 19.5	1022-08	



Wing knob with housing zinc die, round cyl. zinc die with stainless steel cap, nut or earth nut and screw m.s. zinc plated.
Each round cylinder has one silver steel key with polyamide grip GF black.

non lock- ing*	keyed alike 2233X	keyed different		non lock- ing*	keyed alike 2233X	keyed different
chrome plated			black powder coated			
1022-U48	1022-U50	1022-U52	Nut	1022-U54	1022-U56	1022-U58
1022-U49	1022-U51	1022-U53	Earthnut	1022-U55	1022-U57	1022-U59
Cam m.s. zinc plated, t = 2						
H = 7,5	1022-20	H = 13.5	1022-07	H = 19.5	1022-08	

* = IP 65

Application area:
Small doors and panels

Further parts see page
– Spare key 12B-140