



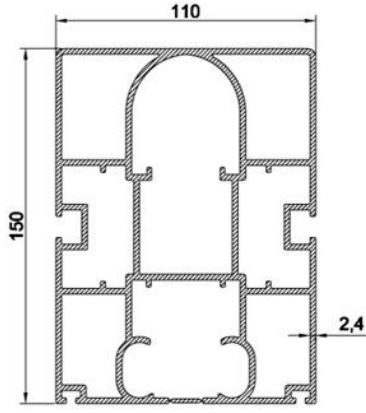
SKY ART

PERGOLA PROFILES & ACCESSORIES

SHAPE OF TOMORROW

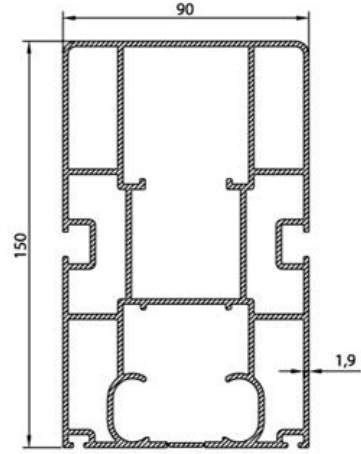


PROFILES



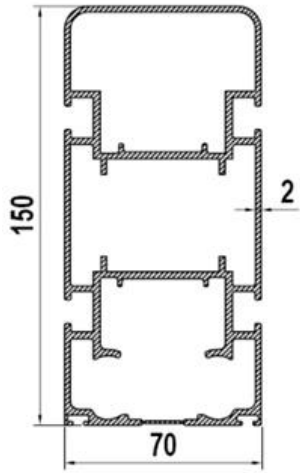
THICK RAIL

| | |
|----------------|-------------------|
| WEIGHT (kg/mt) | 7,168 kg |
| SIZE | 110 x 150 x 2,4mm |



MEDIUM RAIL

| | |
|----------------|------------------|
| WEIGHT (kg/mt) | 5,217 kg |
| SIZE | 90 x 150 x 1,9mm |

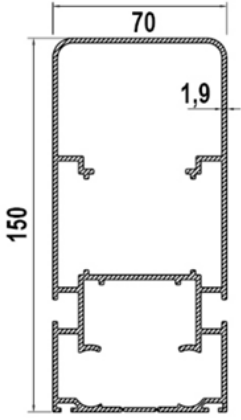


STANDART RAIL

| | |
|----------------|------------------|
| WEIGHT (kg/mt) | 4,212 kg |
| SIZE | 70 x 150 x 1,9mm |

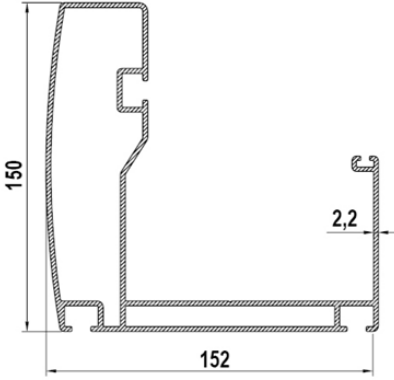
PROFILES

ECO RAIL



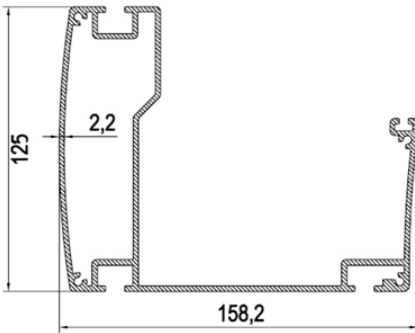
| | |
|----------------|------------------|
| WEIGHT (kg/mt) | 3,217 kg |
| SIZE | 70 x 150 x 1,9mm |

THICK GUTTER



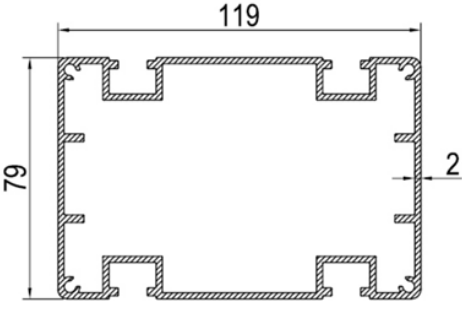
| | |
|----------------|-------------------|
| WEIGHT (kg/mt) | 4,398 kg |
| SIZE | 150 x 152 x 2,2mm |

STANDART GUTTER



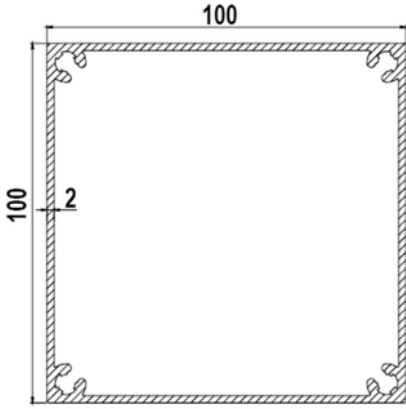
| | |
|----------------|-------------------|
| WEIGHT (kg/mt) | 3,916 kg |
| SIZE | 158 x 125 x 2,2mm |

PROFILES



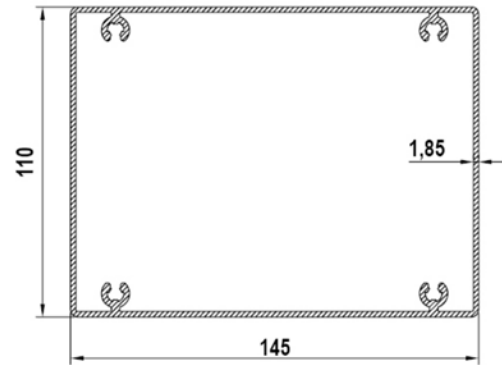
HORIZONTAL BEAM

| | |
|----------------|-----------------|
| WEIGHT (kg/mt) | 3,032 kg |
| SIZE | 79 x 119 x 2mm |



POLE PROFILE

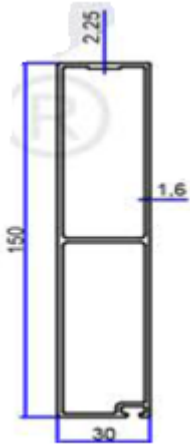
| | |
|----------------|-----------------|
| WEIGHT (kg/mt) | 2,463 kg |
| SIZE | 100 x 100 x 2mm |



THICK POLE PROFILE

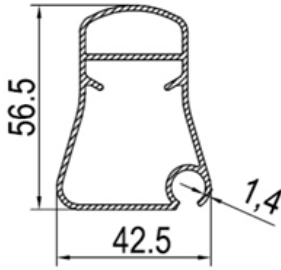
| | |
|----------------|--------------------|
| WEIGHT (kg/mt) | 3,044 kg |
| SIZE | 110 x 145 x 1,85mm |

PROFILES



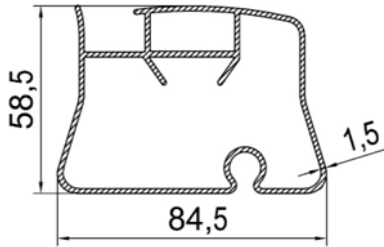
TRAPEZE PROFILE

| | |
|----------------|------------------|
| WEIGHT (kg/mt) | 1,711 kg |
| SIZE | 30 x 150 x 1,6mm |



SMALL CORNICE PROFILE

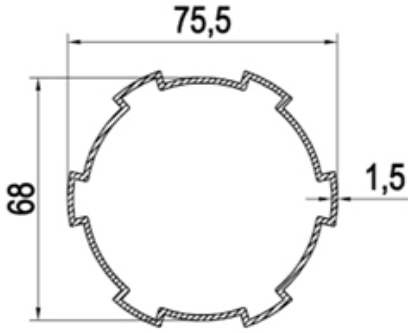
| | |
|----------------|----------------------|
| WEIGHT (kg/mt) | 0,845 kg |
| SIZE | 56,5 x 42,5 x 1,4 mm |



BIG CORNICE PROFILE

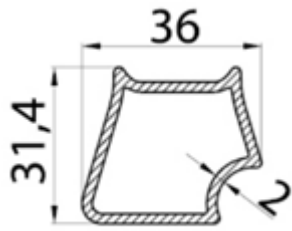
| | |
|----------------|------------------|
| WEIGHT (kg/mt) | 1,520 kg |
| SIZE | 84 x 58 x 1,5 mm |

PROFILES



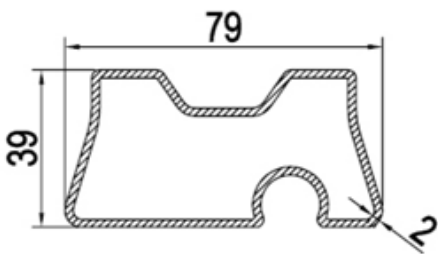
MOTOR PIPE PROFILE

| | |
|----------------|---------------|
| WEIGHT (kg/mt) | 1,1 kg |
| SIZE | Ø75,5 x 1,5mm |



SMALL CORNICE ADAPTER

| | |
|----------------|-----------------|
| WEIGHT (kg/mt) | 1,1 kg |
| SIZE | 36 x 31,4 X 2mm |



BIG CORNICE ADAPTER

| | |
|----------------|---------------|
| WEIGHT (kg/mt) | 1,1 kg |
| SIZE | 39 x 79 X 2mm |

ACCESSORIES

PLASTICS - RAIL GROUP



BACK CAIGE



REAR GEAR



BRAKE



FRONT TENSOR
WEDGE



SMALL BEARING
CAGE

PLASTICS - FABRIC GROUP



BIG CORNICE
COVER

OPTIONAL COLORS
 Cream
 A. Gray
 White
 Black



SMALL CORNICE
COVER



FABRIC TENSION
PLASTIC

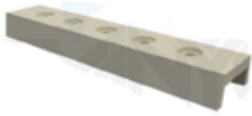


DOWEL



HOLE COVER

PLASTICS - WHEEL GROUP



TIMING BELT
CONNECTION



BIG CAR



SMALL CAR



WATER
DRAINAGE



MOTOR
PLASTICS



MOTOR COVER
PLASTIC

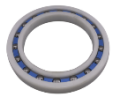
OPTIONAL COLORS
 Cream
 A. Gray
 White
 Black



BIG
BEARINGS



BIG THIN
BEARINGS



SMALL
BEARINGS

ACCESSORIES

LASER SHEETS - RAIL GROUP



**110X150
RAIL HANGER**



**90X150
RAIL HANGER**



**70X150
RAIL HANGER**



**90X150 - 110X150
RAIL BACK CONNECTION SHEET**



**BIG CORNICE
FIXING SHEET**



**ENGINE
FIXING SHEET**



**PERFORATED RAIL
CONNECTION SHEET**



**RAIL CONNECTION
SHEET WITHOUT HOLE**



**RAIL-GUTTER
CONNECTION SHEET**



**GUTTER
COVER**



**100X100 COLUMN
CONNECTION SHEET**



**FRONT TENSIONER
SQUARE AUTOMAT**



GLASS SLIDE

ACCESSORIES

MOLDING GROUP



**110X150
RAIL COVER**



**90X150
RAIL COVER**



**70X150
RAIL COVER**



**100X100
COLUMN SHOE**



**110X145
COLUMN SHOE**

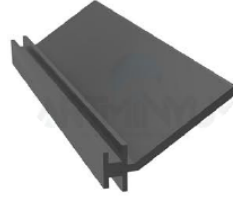
SEALING AND TIMING-BELT GROUP



**CORNICE WICK
EDGE**



GUTTER WICK



RAIL WICK



CABLE WICK



**T10-16
TIMING BELT**



**T10-18
TIMING BELT**



**T10-25
TIMING BELT**

ELECTRONICS GROUP



**SAMSUNG SLIM
LEDs**



**CUPPON
DIMMER**



TRANSFORMERS

| AMPER | LED |
|-------------|---------|
| 24V – 2,5A | 15 LED |
| 24V – 4,1A | 25 LED |
| 24V – 5A | 30 LED |
| 24V – 6,25A | 40 LED |
| 24V – 8,3A | 50 LED |
| 24V – 10A | 60 LED |
| 24V – 12,5A | 75 LED |
| 24V – 15A | 90 LED |
| 24V – 20A | 125 LED |



**2x0,75mm
LED CABLE**



**SOMFY
CONTROLLER**



**CUPPON
CONTROLLER**



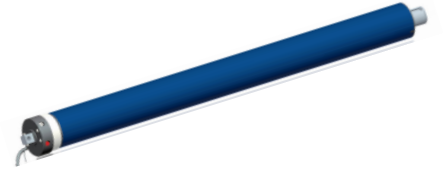
**BECKER
CONTROLLER**



SOMFY MOTOR
55Nm / 70Nm / 85Nm / 100Nm / 120Nm



BECKER MOTOR
80Nm / 120Nm



CUPPON MOTOR
120Nm / 140Nm



WIND SENSOR



RAIN SENSOR



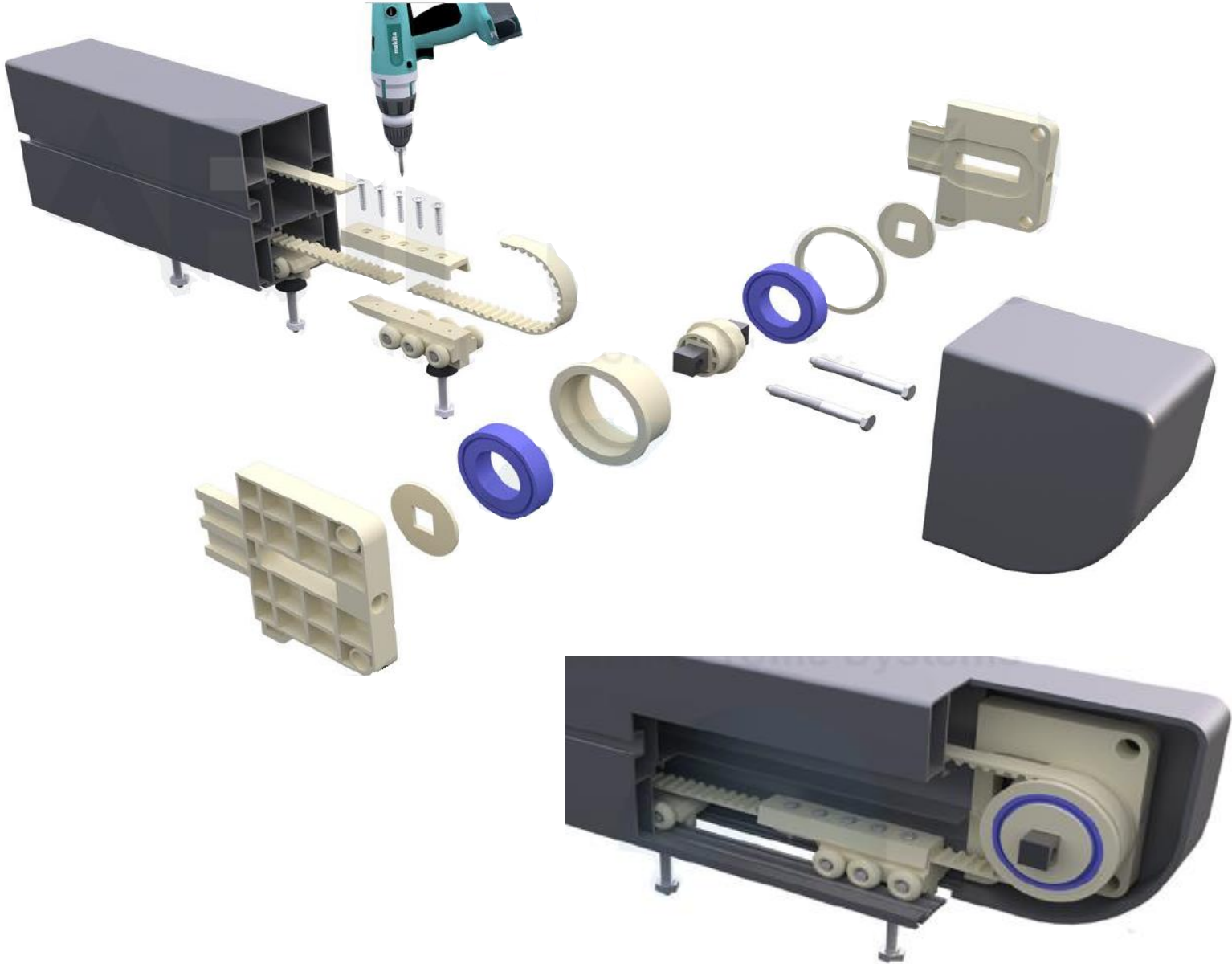
SUN SENSOR



COMPOSITE MATERIAL



TRAPEZE SHEET





S K Y A R T



somfy.

CUPPON



BECKER
Gemeinsam einfacher.

SAMSUNG

SIOEN

SunArt®