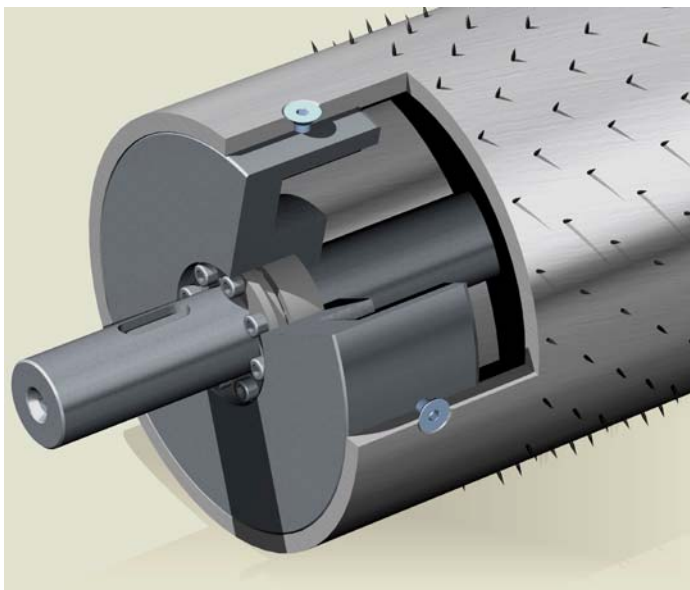
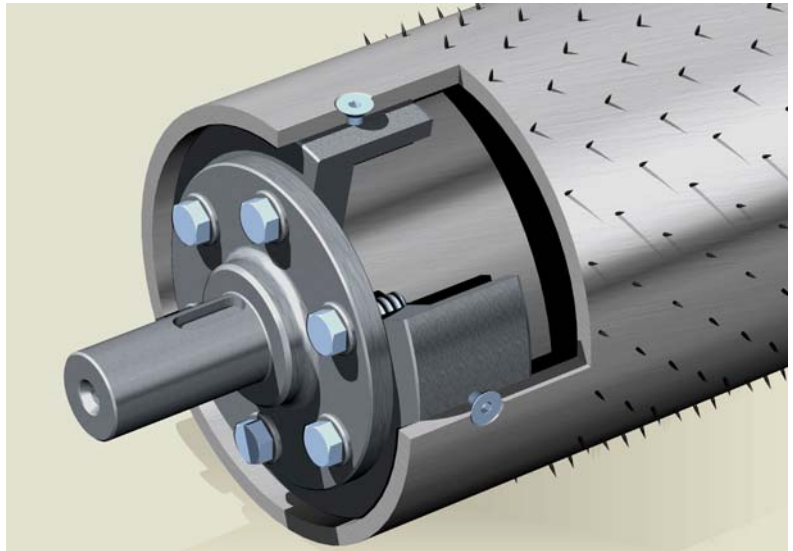


Aluminium Spiked Rollers

for perforating, embossing, transport, fiber opening

Application examples:

- Perforation rollers for paper, foil, synthetic leather and other materials for cold perforation
- Transport rollers in wood processing machines
- Take-down rollers in textile machines



Special features:

- Base body of Aluminium
- Available with axes, plugs, flanges etc.
- The pins are glued in wholes
- Inexpensive and light construction
- Only highest quality steel pins made in Germany are used
- High accuracy due to the implementation of state-of-the-art CNC machines
- Made in Germany

If you have special design requests then please send us your drawing. We would be pleased to prepare a quotation for you at short notice. Please complete the questionnaire on the reverse side and send it to:

tambula GmbH
Robert-Bunsen-Straße 15
36179 BEBRA
GERMANY

Internet: www.tambula.de
Tel: +49 6622 919035
Fax: +49 6622 7480
E-Mail: info@tambula.de

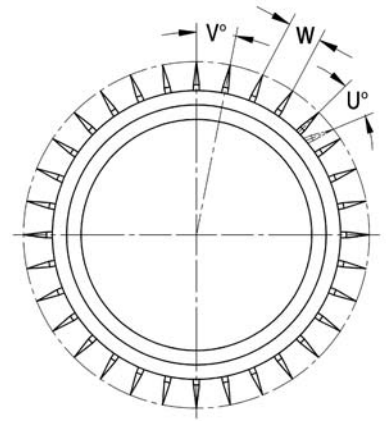
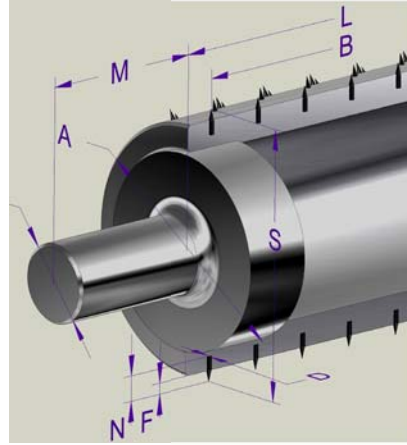
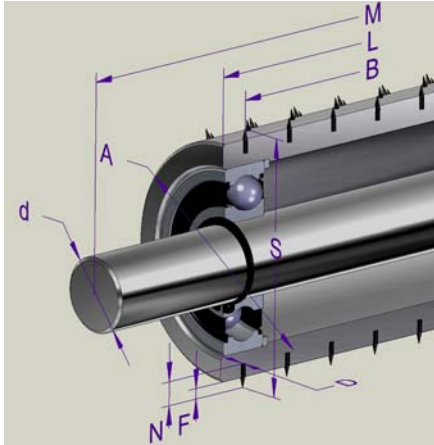
Questionnaire Aluminium Spiked Rollers:

Type of machine: _____
 Manufacturer: _____
 For material: _____

Year: _____
 Speed _____ (m/min)

inside bearing

with plugs



Roller:

- L - Roller length mm
- M - Axe/plug length mm
- B - Pinning width mm
- A - Roller diameter mm
- S - Diameter over the pins mm
- d - Diameter of the shaft mm

Pinning:

- D - Pin diameter mm
- N - Pin length mm
- F - Pin protruding length mm
- T - Pin spacing (width) mm
- W - Pin spacing (circumference) mm
- P - Number of pins per row mm
- R - Number of pin rows mm
- V° - Angel between pin rows deg.
- U° - Pin angle (perpendicular = 0°) deg.

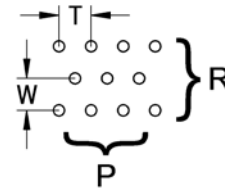
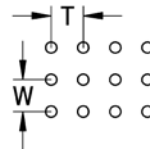
Without offset

Simple offset

Multiple offset

(behind each other)

e.g. Spiral (attach sketch)



Specialities:

Description of the application:

Inquiry from _____
 Contact person _____
 Telephone _____
 Fax _____
 Street _____
 Zip code/location _____
 e-mail _____

To: tambula GmbH
 Robert Bunsen Str. 15
 36179 Bebra, Germany
 T. +49 6622/919035
 F. +49 6622/7480
 info@tambula.de
 www.tambula.de