

4 Legged Open Centre Hydraulic Chucks



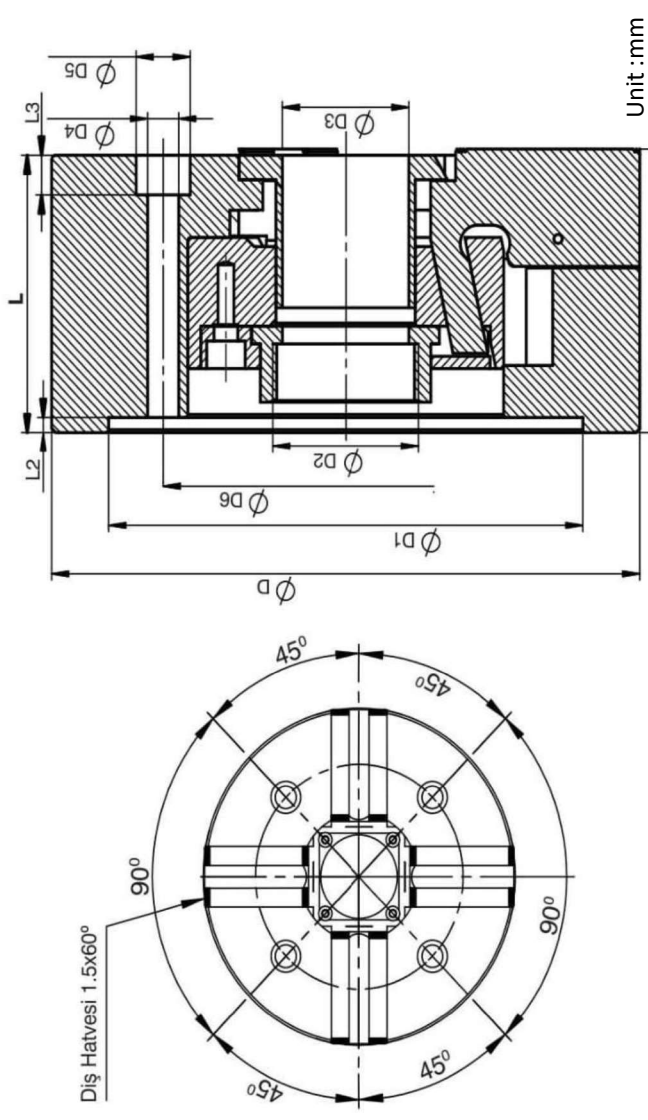
Standard accessory

- 1 Set Standard soft feet
- 1 Set T nut (Connection Lug)
- ISO A Adapter (Connection Flange)
- Connection bolts 12/9
- Puller nut

4 Legged Open Centre Hydraulic ChucksAll

parts are hardened by heat treatment and the working surfaces are ground. It has high rigidity, precision and strength properties.

Standard connection flange ISO -A (Flange) adapters and soft feet included in the box. The guaranteed



Unit :mm

Ürün	D	D1	D2	D3	D4	D5	D6	L	L2	L3	Weight
DM1084	210	170	M60X2	54	13,5	20	133,4	91	5	18	24
DM1104	254	220	M85X2	75	17	25	171,4	100	5	18	36
DM1124	305	220	M100X2	91	17	25	171,4	110	6	18	36
DM1154	381	300	M130X2	100	22	32	235	134	6	22	120
Product Code	Foot Stroke	Maximum RPM	Maximum Tensile Force	Maximum Compression Force	Piston Stroke	Weight					
DM1084	7,3	5000	23KN	57KN	17	24					
DM1104	8,5	4200	28KN	74KN	20	36					
DM1124	10,6	2500	43KN	120KN	21	120					