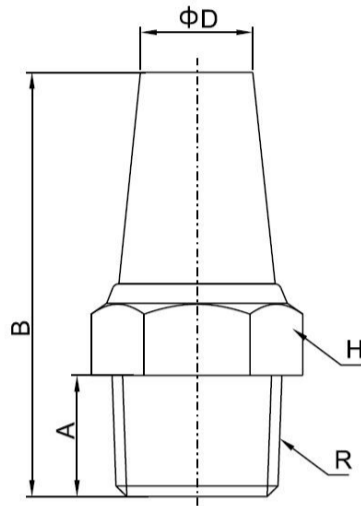


PNEUMATIC MUFFLERS | SILENCERS



BSL STANDARD SINTERED BRONZE SILENCER



Body(noise absorbing material): Sintered bronze
Base(thread): Brass

Working Pressure: 0—1.0MPa | 0—150psi

Proof Pressure: 3.0Mpa | 435psi

Negative Pressure: -100Kpa | -29.5 In Hg

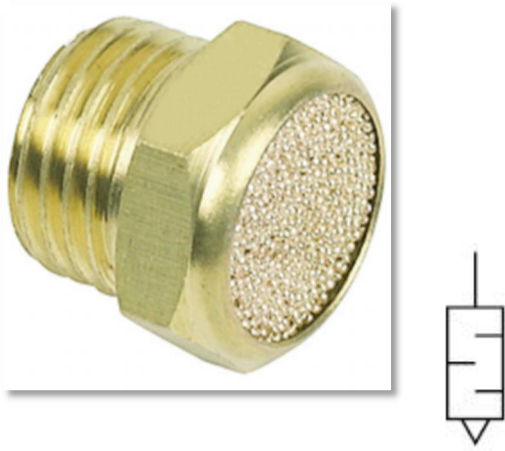
Working Temperature: -10~80°C | 14~176°F

PART NO.	Sound Pressure Level*	R	A(mm)	B(mm)	H(mm)
BSL 01	75	R1/8	5.8	23	12
BSL 02	80	R1/4	7	28	15
BSL 03	85	R3/8	9	36	18
BSL 04	90	R1/2	10	40	21
BSL 06	95	R3/4	10.5	48	27
BSL 08	100	R1	11.5	62	34
BSL 10	105	R1-1/4	18.5	83	46
BSL 12	105	R1-1/2	18.2	92	53
BSL 16	105	R2	19.5	108	64
BSL G01	75	G1/8	5.8	23	12
BSL G02	80	G1/4	7	28	15
BSL G03	85	G3/8	9	36	18
BSL G04	90	G1/2	10	40	21
BSL G06	95	G3/4	10.5	48	27
BSL G08	100	G1	11.5	62	34
BSL G10	105	G1-1/4	18.5	83	46
BSL G12	105	G1-1/2	18.2	92	53
BSL G16	105	G2	19.5	108	64
BSL U10	74	10-32UNF	4	19	8
BSL N01	75	1/8NPT	5.8	23	12
BSL N02	80	1/4NPT	7	28	15
BSL N03	85	3/8NPT	9	36	18
BSL N04	90	1/2NPT	10	40	21
BSL N06	95	3/4NPT	10.5	48	27
BSL N08	100	1NPT	11.5	62	34
BSL N10	105	1-1/4NPT	18.5	83	46
BSL N12	105	1-1/2NPT	18.2	92	53
BSL N16	105	2NPT	19.5	108	64
BSL M5 x 0.8	72	M5 x 0.8	4	19	8
BSL M6 x 1	72	M6 x 1	4.1	19	8
BSL M8 x 1	75	M8 x 1	5.8	23	12
BSL M8 x 1.25	75	M8 x 1.25	5.8	23	12
BSL M10 x 1	75	M10 x 1	5.8	23	12
BSL M10 x 1.25	75	M10 x 1.25	5.8	23	12
BSL M12 x 1.25	80	M12 x 1.25	7	28	15
BSL M14 x 1.5	80	M14 x 1.5	7	28	15
BSL M16 x 1.5	85	M16 x 1.5	9	36	18
BSL M20 x 1.5	90	M20 x 1.5	10	40	21

* Sound pressure level measured at 6 bar at 1 m distance.

** Information contained herein may be changed without prior notification.

BSLM SINTERED BRONZE BREATHER VENT SILENCER



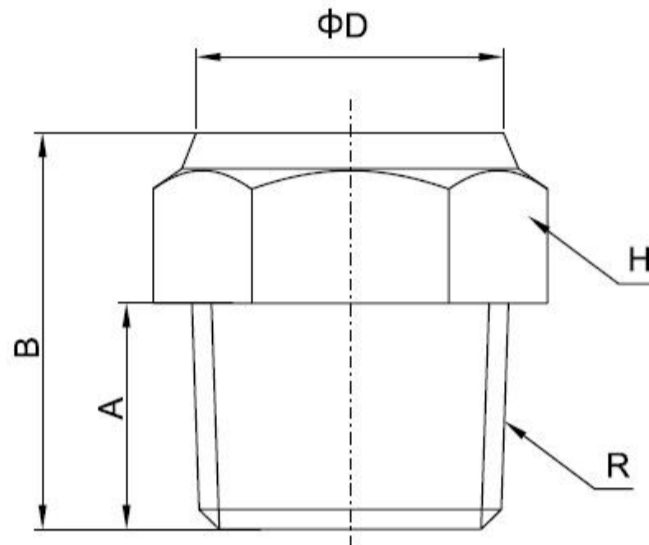
Body(noise absorbing material): Sintered bronze
Base(thread): Brass

Working Pressure: 0—1.0MPa | 0—150psi

Proof Pressure: 3.0Mpa | 435psi

Negative Pressure: -100Kpa | -29.5 In Hg

Working Temperature: -10~80°C | 14~176°F

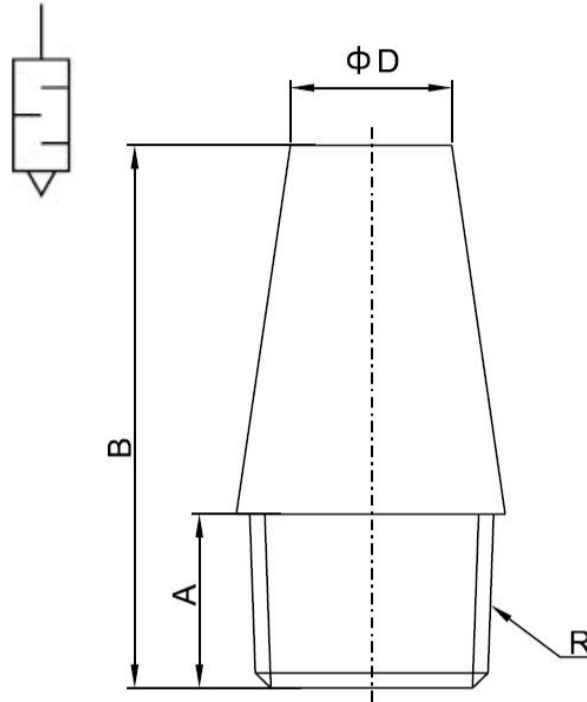


PART NO.	Sound Pressure Level*	R	A(mm)	B(mm)	H(mm)
BSLM 01	85	R1/8	5.8	11	12
BSLM 02	88	R1/4	7	12.5	15
BSLM 03	90	R3/8	9	15.5	18
BSLM 04	85	R1/2	10	17	21
BSLM 06	82	R3/4	10.5	18	27
BSLM 08	82	R1	11.5	20	34
BSLM 10	115	R1-1/4	18.5	32	46
BSLM 12	115	R1-1/2	18.2	33.5	53
BSLM 16	118	R2	19.5	36	64
BSLM G01	85	G1/8	5.8	11	12
BSLM G02	88	G1/4	7	12.5	15
BSLM G03	90	G3/8	9	15.5	18
BSLM G04	85	G1/2	10	17	21
BSLM G06	82	G3/4	10.5	18	27
BSLM G08	82	G1	11.5	20	34
BSLM G10	115	G1-1/4	18.5	32	46
BSLM G12	115	G1-1/2	18.2	33.5	53
BSLM G16	118	G2	19.5	36	64
BSLM U10	79	10-32UNF	4	10	8
BSLM N01	85	1/8NPT	5.8	11	12
BSLM N02	88	1/4NPT	7	12.5	15
BSLM N03	90	3/8NPT	9	15.5	18
BSLM N04	85	1/2NPT	10	17	21
BSLM N06	82	3/4NPT	10.5	18	27
BSLM N08	82	1NPT	11.5	20	34
BSLM N10	115	1-1/4NPT	18.5	32	46
BSLM N12	115	1-1/2NPT	18.2	33.5	53
BSLM N16	118	2NPT	19.5	36	64
BSLM M5 x 0.8	79	M5 x 0.8	4	10	8
BSLM M6 x 1	79	M6 x 1	4.1	10	8
BSLM M8 x 1	85	M8 x 1	5.8	11	12
BSLM M8 x 1.25	85	M8 x 1.25	5.8	11	12
BSLM M10 x 1	85	M10 x 1	5.8	11	12
BSLM M10 x 1.25	85	M10 x 1.25	5.8	11	12
BSLM M12 x 1.25	88	M12 x 1.25	7	12.5	15
BSLM M14 x 1.5	88	M14 x 1.5	7	12.5	15
BSLM M16 x 1.5	90	M16 x 1.5	9	15.5	18
BSLM M20 x 1.5	85	M20 x 1.5	10	17	21

* Sound pressure level measured at 6 bar at 1 m distance.

** Information contained herein may be changed without prior notification.

BSLD SINTERED BRONZE SILENCERS



Body(noise absorbing material): Sintered bronze
 Base(thread): Sintered bronze

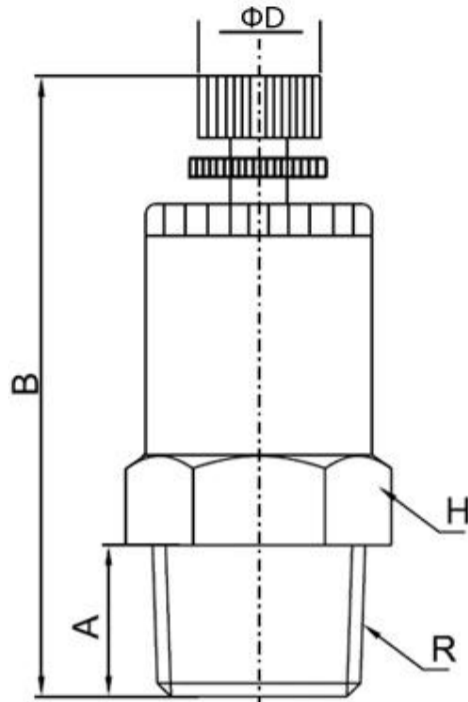
Working Pressure: 0—1.0MPa | 0—150psi
 Proof Pressure: 3.0Mpa | 435psi
 Negative Pressure: -100Kpa | -29.5 In Hg
 Working Temperature: -10~80°C | 14~176°F

PART NO.	Sound Pressure Level*	R	B(mm)
BSLD 01	81	R1/8	22
BSLD 02	85	R1/4	25
BSLD 03	80	R3/8	36.5
BSLD 04	87	R1/2	43.5
BSLD 06	84	R3/4	52
BSLD 08	86	R1	56
BSLD G01	81	G1/8	22
BSLD G02	85	G1/4	25
BSLD G03	80	G3/8	36.5
BSLD G04	87	G1/2	43.5
BSLD G06	84	G3/4	52
BSLD G08	86	G1	56
BSLD N01	81	1/8NPT	22
BSLD N02	85	1/4NPT	25
BSLD N03	80	3/8NPT	36.5
BSLD N04	87	1/2NPT	43.5
BSLD N06	84	3/4NPT	52
BSLD N08	86	1NPT	56
BSLD M8 x 1	81	M8 x 1	22
BSLD M8 x 1.25	81	M8 x 1.25	22
BSLD M10 x 1	81	M10 x 1	22
BSLD M10 x 1.25	81	M10 x 1.25	22
BSLD M12 x 1.25	85	M12 x 1.25	25
BSLD M14 x 1.5	85	M14 x 1.5	25
BSLD M16 x 1.5	80	M16 x 1.5	36.5
BSLD M20 x 1.5	87	M20 x 1.5	43.5

* Sound pressure level measured at 6 bar at 1 m distance.

** Information contained herein may be changed without prior notification.

BESL SPEED CONTROL SILENCERS



Body(noise absorbing material): Sintered bronze
Base(thread): Brass

Working Pressure: 0—1.0MPa | 0—150psi

Proof Pressure: 3.0Mpa | 435psi

Negative Pressure: -100Kpa | -29.5 In Hg

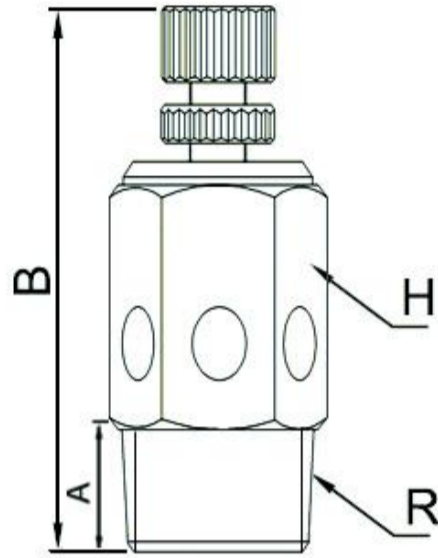
Working Temperature: -10~80°C | 14~176°F

PART NO.	Sound Pressure Level*	R	A(mm)	B(mm)	H(mm)
BESL 01	81	R1/8	5.8	36	12
BESL 02	85	R1/4	7	38	14
BESL 03	80	R3/8	9	46	17
BESL 04	87	R1/2	10	51	21
BESL 06	84	R3/4	10.5	60	27
BESL 08	86	R1	11.5	76	34
BESL G01	81	G1/8	5.8	36	12
BESL G02	85	G1/4	7	38	14
BESL G03	80	G3/8	9	46	17
BESL G04	87	G1/2	10	51	21
BESL G06	84	G3/4	10.5	60	27
BESL G08	86	G1	11.5	76	34
BESL N01	81	1/8NPT	5.8	36	12
BESL N02	85	1/4NPT	7	38	14
BESL N03	80	3/8NPT	9	46	17
BESL N04	87	1/2NPT	10	51	21
BESL N06	84	3/4NPT	10.5	60	27
BESL N08	86	1NPT	11.5	76	34
BSEL M5 x 0.8	75	M5 x 0.8	—	—	—
BESL M6 x 1	75	M6 x 1	—	—	—
BESL M8 x 1	81	M8 x 1	5.8	36	12
BESL M8 x 1.25	81	M8 x 1.25	5.8	36	12
BESL M10 x 1	81	M10 x 1	5.8	36	12
BESL M10 x 1.25	81	M10 x 1.25	5.8	36	12
BESL M12 x 1.25	85	M12 x 1.25	7	38	14
BESL M14 x 1.5	85	M14 x 1.5	7	38	14
BESL M16 x 1.5	80	M16 x 1.5	9	46	17
BESL M20 x 1.5	87	M20 x 1.5	10	51	21

* Sound pressure level measured at 6 bar at 1 m distance.

** Information contained herein may be changed without prior notification.

BESLC SPEED CONTROL SILENCERS



Body(noise absorbing material): Sintered bronze
 Base(thread): Brass

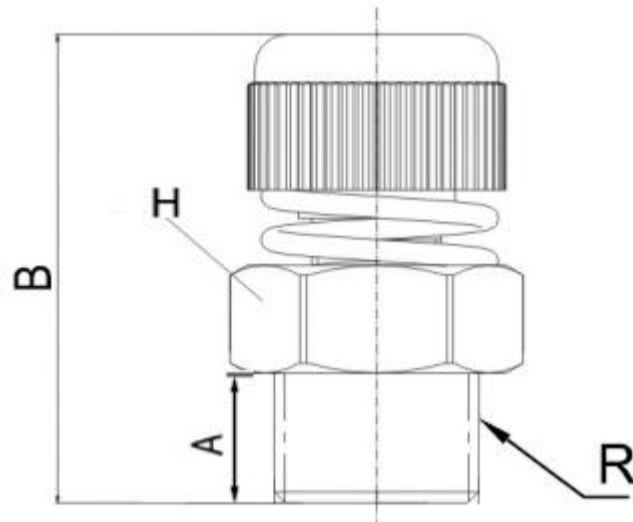
Working Pressure: 0—1.0MPa | 0—150psi
 Proof Pressure: 3.0Mpa | 435psi
 Negative Pressure: -100Kpa | -29.5 In Hg
 Working Temperature: -10~80°C | 14~176°F

PART NO.	Sound Pressure Level*	R	A(mm)	B(mm)	H(mm)
BESLC 01	81	R1/8	5.8	35	12
BESLC 02	85	R1/4	7	38	15
BESLC 03	80	R3/8	9	38	17
BESLC 04	87	R1/2	10	42	21
BESLC 06	84	R3/4	10.5	47	27
BESLC 08	86	R1	11.5	58	34
BESLC G01	81	G1/8	5.8	35	12
BESLC G02	85	G1/4	7	38	15
BESLC G03	80	G3/8	9	38	17
BESLC G04	87	G1/2	10	42	21
BESLC G06	84	G3/4	10.5	47	27
BESLC G08	86	G1	11.5	58	34
BESLC N01	81	1/8NPT	5.8	35	12
BESLC N02	85	1/4NPT	7	38	15
BESLC N03	80	3/8NPT	9	38	17
BESLC N04	87	1/2NPT	10	42	21
BESLC N06	84	3/4NPT	10.5	47	27
BESLC N08	86	1NPT	11.5	58	34
BESLC M5 x 0.8	75	M5 x 0.8	—	—	—
BESLC M6 x 1	75	M6 x 1	—	—	—
BESLC M8 x 1	81	M8 x 1	5.8	35	12
BESLC M8 x 1.25	81	M8 x 1.25	5.8	35	12
BESLC M10 x 1	81	M10 x 1	5.8	35	12
BESLC M10 x 1.25	81	M10 x 1.25	5.8	35	12
BESLC M12 x 1.25	85	M12 x 1.25	7	38	15
BESLC M14 x 1.5	85	M14 x 1.5	7	38	15
BESLC M16 x 1.5	80	M16 x 1.5	9	38	17
BESLC M20 x 1.5	87	M20 x 1.5	10	42	21

* Sound pressure level measured at 6 bar at 1 m distance.

** Information contained herein may be changed without prior notification.

BESLD Flow Control Silencer



Body(noise absorbing material): Sintered bronze
 Base(thread): Brass

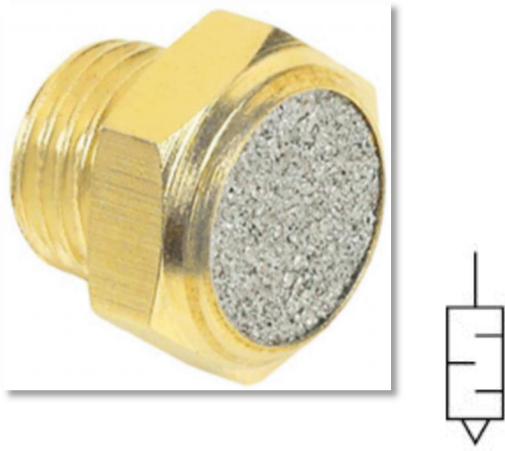
Working Pressure: 0—1.0MPa | 0—150psi
 Proof Pressure: 3.0Mpa | 435psi
 Negative Pressure: -100Kpa | -29.5 In Hg
 Working Temperature: -10~80°C | 14~176°F

PART NO.	Sound Pressure Level*	R	A(mm)	B(mm) MAX	H(mm)
BESLD 01	81	R1/8	6	23	12
BESLD 02	85	R1/4	7.5	28	15
BESLD 03	80	R3/8	9	33	19
BESLD 04	87	R1/2	10.5	37.5	22
BESLD 06	84	R3/4	11	50	27
BESLD 08	86	R1	14	57	34
BESLD G01	81	G1/8	6	23	12
BESLD G02	85	G1/4	7.5	28	15
BESLD G03	80	G3/8	9	33	19
BESLD G04	87	G1/2	10.5	37.5	22
BESLD G06	84	G3/4	11	50	27
BESLD G08	86	G1	14	57	34
BESLD N01	81	1/8NPT	6	23	12
BESLD N02	85	1/4NPT	7.5	28	15
BESLD N03	80	3/8NPT	9	33	19
BESLD N04	87	1/2NPT	10.5	37.5	22
BESLD N06	84	3/4NPT	11	50	27
BESLD N08	86	1NPT	14	57	34
BESLD M8 x 1	81	M8 x 1	6	23	12
BESLD M8 x 1.25	81	M8 x 1.25	6	23	12
BESLD M10 x 1	81	M10 x 1	6	23	12
BESLD M10 x 1.25	81	M10 x 1.25	6	23	12
BESLD M12 x 1.25	85	M12 x 1.25	7.5	28	15
BESLD M14 x 1.5	85	M14 x 1.5	7.5	28	15
BESLD M16 x 1.5	80	M16 x 1.5	9	33	19
BESLD M20 x 1.5	87	M20 x 1.5	10.5	57	22

* Sound pressure level measured at 6 bar at 1 m distance.

** Information contained herein may be changed without prior notification.

BSSM Sintered Stainless Steel Breather Vent Silencer With Brass Body



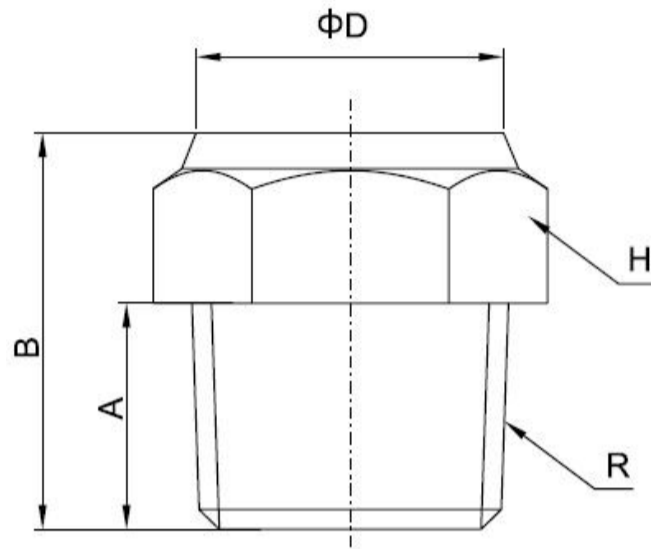
Body(noise absorbing material): Sintered Stainless Steel
Base(thread): Brass

Working Pressure: 0—1.0MPa | 0—150psi

Proof Pressure: 3.0Mpa | 435psi

Negative Pressure: -100Kpa | -29.5 In Hg

Working Temperature: -10~80°C | 14~176°F

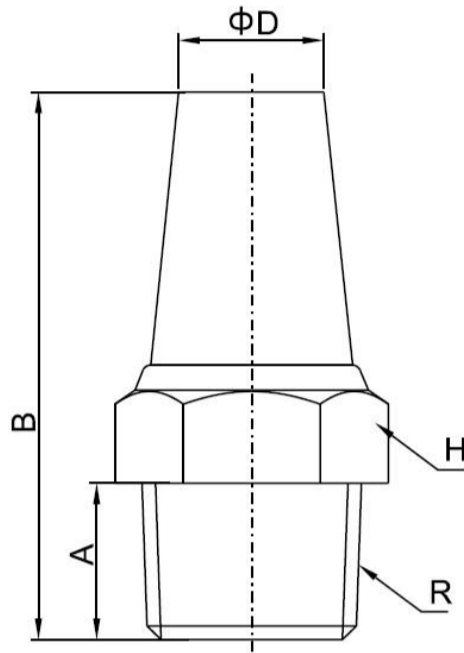


PART NO.	Sound Pressure Level*	R	A(mm)	B(mm)	H(mm)
BSSM 01	90	R1/8	5.8	11	12
BSSM 02	93	R1/4	7	12.5	15
BSSM 03	101	R3/8	9	15.5	18
BSSM 04	95	R1/2	10	17	21
BSSM 06	110	R3/4	10.5	18	27
BSSM 08	110	R1	11.5	20	34
BSSM 10	115	R1-1/4	18.5	32	46
BSSM 12	115	R1-1/2	18.2	33.5	53
BSSM 16	118	R2	19.5	36	64
BSSM G01	90	G1/8	5.8	11	12
BSSM G02	93	G1/4	7	12.5	15
BSSM G03	101	G3/8	9	15.5	18
BSSM G04	95	G1/2	10	17	21
BSSM G06	110	G3/4	10.5	18	27
BSSM G08	110	G1	11.5	20	34
BSSM G10	115	G1-1/4	18.5	32	46
BSSM G12	115	G1-1/2	18.2	33.5	53
BSSM G16	118	G2	19.5	36	64
BSSM U10	85	10-32UNF	4	10	8
BSSM N01	90	1/8NPT	5.8	11	12
BSSM N02	93	1/4NPT	7	12.5	15
BSSM N03	101	3/8NPT	9	15.5	18
BSSM N04	95	1/2NPT	10	17	21
BSSM N06	110	3/4NPT	10.5	18	27
BSSM N08	110	1NPT	11.5	20	34
BSSM N10	115	1-1/4NPT	18.5	32	46
BSSM N12	115	1-1/2NPT	18.2	33.5	53
BSSM N16	118	2NPT	19.5	36	64
BSSM M5 x 0.8	85	M5 x 0.8	4	10	8
BSSM M6 x 1	85	M6 x 1	4.1	10	8
BSSM M8 x 1	90	M8 x 1	5.8	11	12
BSSM M8 x 1.25	90	M8 x 1.25	5.8	11	12
BSSM M10 x 1	90	M10 x 1	5.8	11	12
BSSM M10 x 1.25	90	M10 x 1.25	5.8	11	12
BSSM M12 x 1.25	93	M12 x 1.25	7	12.5	15
BSSM M14 x 1.5	93	M14 x 1.5	7	12.5	15
BSSM M16 x 1.5	101	M16 x 1.5	9	15.5	18
BSSM M20 x 1.5	95	M20 x 1.5	10	17	21

* Sound pressure level measured at 6 bar at 1 m distance.

** Information contained herein may be changed without prior notification.

SSL Standard Sintered Stainless Steel Silencer



Body(noise absorbing material): Sintered Stainless Steel
 Base(thread): Stainless Steel

Working Pressure: 0—1.0MPa | 0—150psi

Proof Pressure: 3.0Mpa | 435psi

Negative Pressure: -100Kpa | -29.5 In Hg

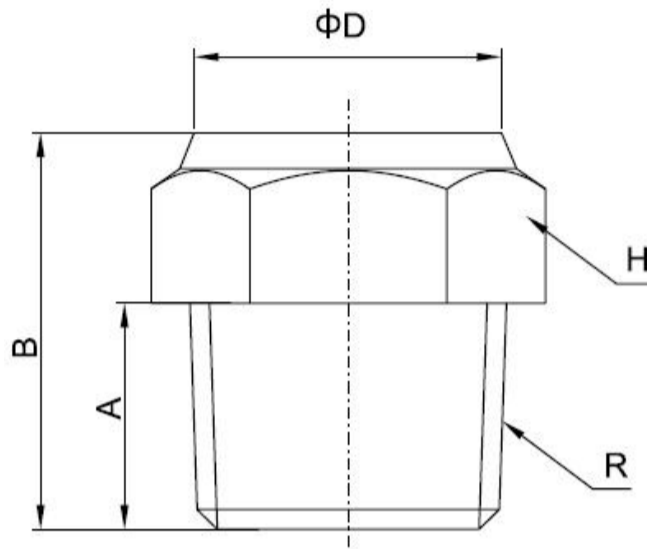
Working Temperature: -10~80°C | 14~176°F

PART NO.	Sound Pressure Level*	R	A(mm)	B(mm)	H(mm)
SSL 01	90	R1/8	7	25	12
SSL 02	93	R1/4	10	34	17
SSL 03	101	R3/8	10.5	44	19
SSL 04	95	R1/2	10	45	22
SSL 06	110	R3/4	14	55	27
SSL 08	110	R1	19.5	68	34
SSL G01	90	G1/8	7	25	12
SSL G02	93	G1/4	10	34	17
SSL G03	101	G3/8	10.5	44	19
SSL G04	95	G1/2	10	45	22
SSL G06	110	G3/4	14	55	27
SSL G08	110	G1	19.5	68	34
SSL U10	85	10-32UNF	4	24	8
SSL N01	90	1/8NPT	7	25	12
SSL N02	93	1/4NPT	10	34	17
SSL N03	101	3/8NPT	10.5	44	19
SSL N04	95	1/2NPT	10	45	22
SSL N06	110	3/4NPT	14	55	27
SSL N08	110	1NPT	19.5	68	34
SSL M5 x 0.8	85	M5 x 0.8	4	24	8
SSL M6 x 1	85	M6 x 1	4.1	24.1	8
SSL M8 x 1	90	M8 x 1	7	25	12
SSL M8 x 1.25	90	M8 x 1.25	7	25	12
SSL M10 x 1	90	M10 x 1	7	25	12
SSL M10 x 1.25	90	M10 x 1.25	7	25	12
SSL M12 x 1.25	93	M12 x 1.25	10	34	17
SSL M14 x 1.5	93	M14 x 1.5	10	34	17
SSL M16 x 1.5	101	M16 x 1.5	10.5	44	19
SSL M20 x 1.5	95	M20 x 1.5	10	45	22

* Sound pressure level measured at 6 bar at 1 m distance.

** Information contained herein may be changed without prior notification.

SSLM Sintered Stainless Steel Breather Vent Silencer



Body(noise absorbing material): Sintered Stainless Steel
 Base(thread): Stainless Steel

Working Pressure: 0—1.0MPa | 0—150psi

Proof Pressure: 3.0Mpa | 435psi

Negative Pressure: -100Kpa | -29.5 In Hg

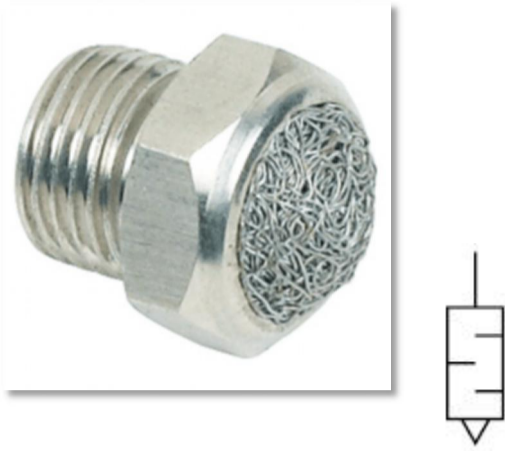
Working Temperature: -10~80°C | 14~176°F

PART NO.	Sound Pressure Level*	R	A(mm)	B(mm)	H(mm)
SSLM 01	90	R1/8	7	13	12
SSLM 02	93	R1/4	10	17	17
SSLM 03	101	R3/8	10.5	18.5	19
SSLM 04	95	R1/2	10	20	22
SSLM 06	110	R3/4	14	23	27
SSLM 08	110	R1	19.5	30	34
SSLM G01	90	G1/8	7	13	12
SSLM G02	93	G1/4	10	17	17
SSLM G03	101	G3/8	10.5	18.5	19
SSLM G04	95	G1/2	10	20	22
SSLM G06	110	G3/4	14	23	27
SSLM G08	110	G1	19.5	30	34
SSLM U10	85	10-32UNF	4	9	8
SSLM N01	90	1/8NPT	7	13	12
SSLM N02	93	1/4NPT	10	17	17
SSLM N03	101	3/8NPT	10.5	18.5	19
SSLM N04	95	1/2NPT	10	20	22
SSLM N06	110	3/4NPT	14	23	27
SSLM N08	110	1NPT	19.5	30	34
SSLM M5 x 0.8	85	M5 x 0.8	4	9	8
SSLM M6 x 1	85	M6 x 1	4.1	9	8
SSLM M8 x 1	90	M8 x 1	7	13	12
SSLM M8 x 1.25	90	M8 x 1.25	7	13	12
SSLM M10 x 1	90	M10 x 1	7	13	12
SSLM M10 x 1.25	90	M10 x 1.25	7	13	12
SSLM M12 x 1.25	93	M12 x 1.25	10	17	17
SSLM M14 x 1.5	93	M14 x 1.5	10	17	17
SSLM M16 x 1.5	101	M16 x 1.5	10.5	18.5	19
SSLM M20 x 1.5	95	M20 x 1.5	10	20	22

* Sound pressure level measured at 6 bar at 1 m distance.

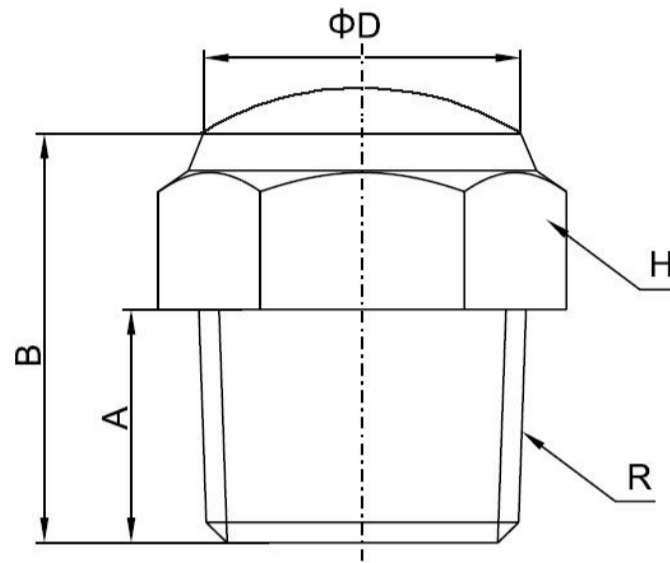
** Information contained herein may be changed without prior notification.

SSLV Stainless Steel Silencer with Mesh



Body(noise absorbing material): Stainless Steel Mesh
 Base(thread): Stainless Steel

Working Pressure: 0—1.0MPa | 0—150psi
 Proof Pressure: 3.0Mpa | 435psi
 Negative Pressure: -100Kpa | -29.5 In Hg
 Working Temperature: -10~80°C | 14~176°F

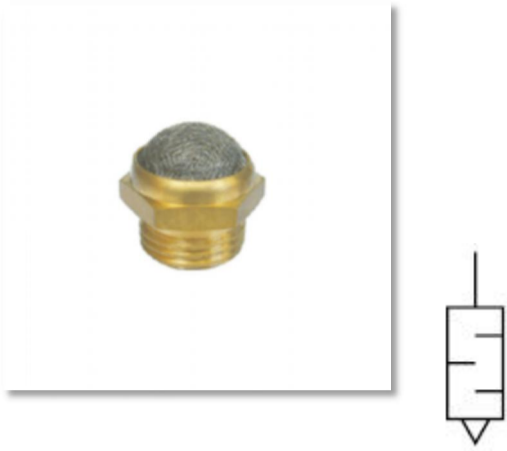


PART NO.	Sound Pressure Level*	R	A(mm)	B(mm)	H(mm)
SSLV 01	90	R1/8	7	15	12
SSLV 02	93	R1/4	10	20	17
SSLV 03	101	R3/8	10.5	20	19
SSLV 04	95	R1/2	10	22	22
SSLV 06	110	R3/4	14	24	27
SSLV 08	110	R1	19.5	32	34
SSLV G01	90	G1/8	7	15	12
SSLV G02	93	G1/4	10	20	17
SSLV G03	101	G3/8	10.5	20	19
SSLV G04	95	G1/2	10	22	22
SSLV G06	110	G3/4	14	24	27
SSLV G08	110	G1	19.5	32	34
SSLV U10	85	10-32UNF	4	9	8
SSLV N01	90	1/8NPT	7	15	12
SSLV N02	93	1/4NPT	10	20	17
SSLV N03	101	3/8NPT	10.5	20	19
SSLV N04	95	1/2NPT	10	22	22
SSLV N06	110	3/4NPT	14	24	27
SSLV N08	110	1NPT	19.5	32	34
SSLV M5 x 0.8	85	M5 x 0.8	4	9	8
SSLV M6 x 1	85	M6 x 1	4.1	9	8
SSLV M8 x 1	90	M8 x 1	7	15	12
SSLV M8 x 1.25	90	M8 x 1.25	7	15	12
SSLV M10 x 1	90	M10 x 1	7	15	12
SSLV M10 x 1.25	90	M10 x 1.25	7	15	12
SSLV M12 x 1.25	93	M12 x 1.25	10	20	17
SSLV M14 x 1.5	93	M14 x 1.5	10	20	17
SSLV M16 x 1.5	101	M16 x 1.5	10.5	20	19
SSLV M20 x 1.5	95	M20 x 1.5	10	22	22

* Sound pressure level measured at 6 bar at 1 m distance.

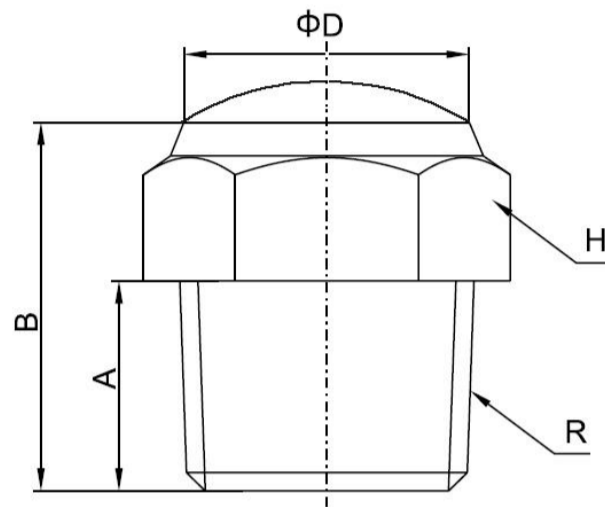
** Information contained herein may be changed without prior notification.

BSLV Brass Silencer with SUS Mesh



Body(noise absorbing material): Stainless Steel Mesh
 Base(thread): Brass

Working Pressure: 0—1.0MPa | 0—150psi
 Proof Pressure: 3.0Mpa | 435psi
 Negative Pressure: -100Kpa | -29.5 In Hg
 Working Temperature: -10~80°C | 14~176°F

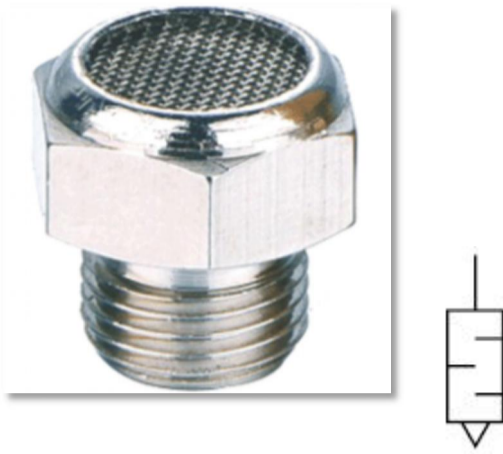


PART NO.	Sound Pressure Level*	R	A(mm)	B(mm)	H(mm)
BSLV 01	90	R1/8	5.8	11	12
BSLV 02	93	R1/4	7	12.5	15
BSLV 03	101	R3/8	9	15.5	18
BSLV 04	95	R1/2	10	17	21
BSLV 06	110	R3/4	10.5	18	27
BSLV 08	110	R1	11.5	20	34
BSLV 10	115	R1-1/4	18.5	32	46
BSLV 12	115	R1-1/2	18.2	33.5	53
BSLV 16	118	R2	19.5	36	64
BSLV G01	90	G1/8	5.8	11	12
BSLV G02	93	G1/4	7	12.5	15
BSLV G03	101	G3/8	9	15.5	18
BSLV G04	95	G1/2	10	17	21
BSLV G06	110	G3/4	10.5	18	27
BSLV G08	110	G1	11.5	20	34
BSLV G10	115	G1-1/4	18.5	32	46
BSLV G12	115	G1-1/2	18.2	33.5	53
BSLV G16	118	G2	19.5	36	64
BSLV U10	85	10-32UNF	4	10	8
BSLV N01	90	1/8NPT	5.8	11	12
BSLV N02	93	1/4NPT	7	12.5	15
BSLV N03	101	3/8NPT	9	15.5	18
BSLV N04	95	1/2NPT	10	17	21
BSLV N06	110	3/4NPT	10.5	18	27
BSLV N08	110	1NPT	11.5	20	34
BSLV N10	115	1-1/4NPT	18.5	32	46
BSLV N12	115	1-1/2NPT	18.2	33.5	53
BSLV N16	118	2NPT	19.5	36	64
BSLV M5 x 0.8	85	M5 x 0.8	4	10	8
BSLV M6 x 1	85	M6 x 1	4.1	10	8
BSLV M8 x 1	90	M8 x 1	5.8	11	12
BSLV M8 x 1.25	90	M8 x 1.25	5.8	11	12
BSLV M10 x 1	90	M10 x 1	5.8	11	12
BSLV M10 x 1.25	90	M10 x 1.25	5.8	11	12
BSLV M12 x 1.25	93	M12 x 1.25	7	12.5	15
BSLV M14 x 1.5	93	M14 x 1.5	7	12.5	15
BSLV M16 x 1.5	101	M16 x 1.5	9	15.5	18
BSLV M20 x 1.5	95	M20 x 1.5	10	17	21

* Sound pressure level measured at 6 bar at 1 m distance.

** Information contained herein may be changed without prior notification.

SSFm Stainless Steel Silencer with Filter Wire Net



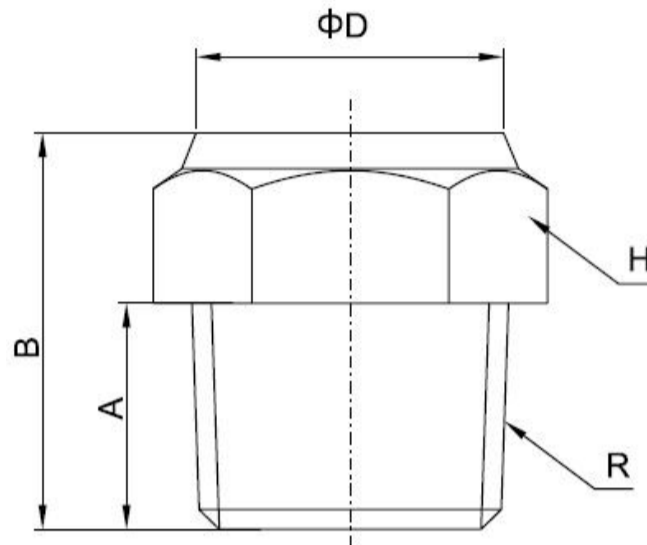
Body(noise absorbing material): Stainless Steel Wire Net
 Base(thread): Stainless Steel

Working Pressure: 0—1.0MPa | 0—150psi

Proof Pressure: 3.0Mpa | 435psi

Negative Pressure: -100Kpa | -29.5 In Hg

Working Temperature: -10~80°C | 14~176°F

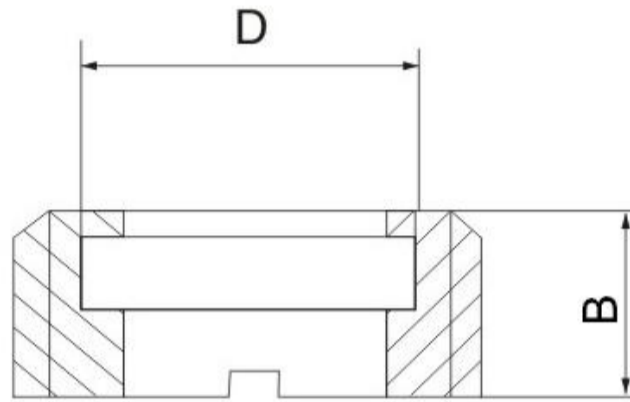


PART NO.	Sound Pressure Level*	R	A(mm)	B(mm)	H(mm)
SSFm 01	90	R1/8	7	13	12
SSFm 02	93	R1/4	10	17	17
SSFm 03	101	R3/8	10.5	18.5	19
SSFm 04	95	R1/2	10	20	22
SSFm 06	110	R3/4	14	23	27
SSFm 08	110	R1	19.5	30	34
SSFm G01	90	G1/8	7	13	12
SSFm G02	93	G1/4	10	17	17
SSFm G03	101	G3/8	10.5	18.5	19
SSFm G04	95	G1/2	10	20	22
SSFm G06	110	G3/4	14	23	27
SSFm G08	110	G1	19.5	30	34
SSFm U10	85	10-32UNF	4	9	8
SSFm N01	90	1/8NPT	7	13	12
SSFm N02	93	1/4NPT	10	17	17
SSFm N03	101	3/8NPT	10.5	18.5	19
SSFm N04	95	1/2NPT	10	20	22
SSFm N06	110	3/4NPT	14	23	27
SSFm N08	110	1NPT	19.5	30	34
SSFm M5 x 0.8	85	M5 x 0.8	4	9	8
SSFm M6 x 1	85	M6 x 1	4.1	9	8
SSFm M8 x 1	90	M8 x 1	7	13	12
SSFm M8 x 1.25	90	M8 x 1.25	7	13	12
SSFm M10 x 1	90	M10 x 1	7	13	12
SSFm M10 x 1.25	90	M10 x 1.25	7	13	12
SSFm M12 x 1.25	93	M12 x 1.25	10	17	17
SSFm M14 x 1.5	93	M14 x 1.5	10	17	17
SSFm M16 x 1.5	101	M16 x 1.5	10.5	18.5	19
SSFm M20 x 1.5	95	M20 x 1.5	10	20	22

* Sound pressure level measured at 6 bar at 1 m distance.

** Information contained herein may be changed without prior notification.

BFSL Compact Sintered Bronze Silencer



Body(noise absorbing material): Sintered bronze
Base(thread): Brass

Working Pressure: 0—1.0MPa | 0—150psi

Proof Pressure: 3.0Mpa | 435psi

Negative Pressure: -100Kpa | -29.5 In Hg

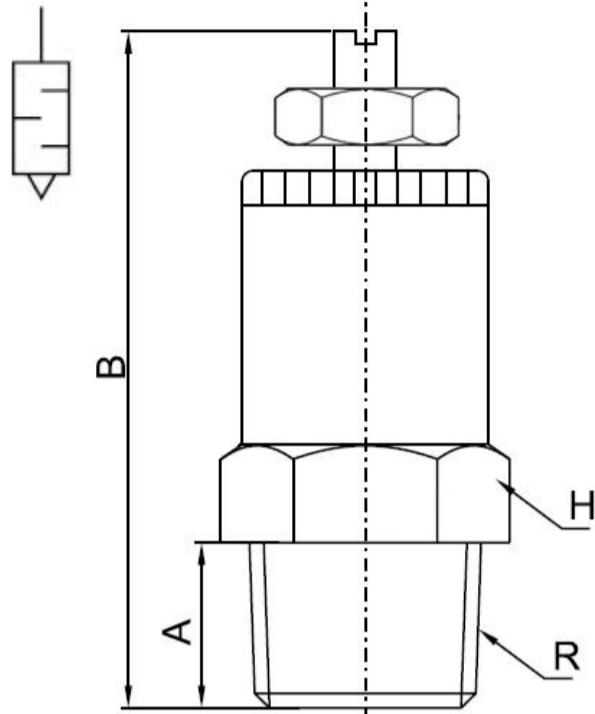
Working Temperature: -10~80°C | 14~176°F

PART NO.	Sound Pressure Level*	R	D(mm)	B(mm)
BFSL 01	81	R1/8	6	5
BFSL 02	85	R1/4	8	6
BFSL 03	80	R3/8	10	7
BFSL 04	87	R1/2	15	8
BFSL 06	84	R3/4	20	9
BFSL 08	86	R1	26	10
BFSL G01	81	G1/8	6	5
BFSL G02	85	G1/4	8	6
BFSL G03	80	G3/8	10	7
BFSL G04	87	G1/2	15	8
BFSL G06	84	G3/4	20	9
BFSL G08	86	G1	26	10
BFSL N01	81	1/8NPT	6	5
BFSL N02	85	1/4NPT	8	6
BFSL N03	80	3/8NPT	10	7
BFSL N04	87	1/2NPT	15	8
BFSL N06	84	3/4NPT	20	9
BFSL N08	86	1NPT	26	10
BFSL M8 x 1	81	M8 x 1	6	5
BFSL M8 x 1.25	81	M8 x 1.25	6	5
BFSL M10 x 1	81	M10 x 1	6	5
BFSL M10 x 1.25	81	M10 x 1.25	6	5
BFSL M12 x 1.25	85	M12 x 1.25	8	6
BFSL M14 x 1.5	85	M14 x 1.5	8	6
BFSL M16 x 1.5	80	M16 x 1.5	10	7
BFSL M20 x 1.5	87	M20 x 1.5	15	8

* Sound pressure level measured at 6 bar at 1 m distance.

** Information contained herein may be changed without prior notification.

BESL-S SLOT SPEED CONTROL SILENCER



Body(noise absorbing material): Sintered bronze
Base(thread): Brass

Working Pressure: 0—1.0MPa | 0—150psi

Proof Pressure: 3.0Mpa | 435psi

Negative Pressure: -100Kpa | -29.5 In Hg

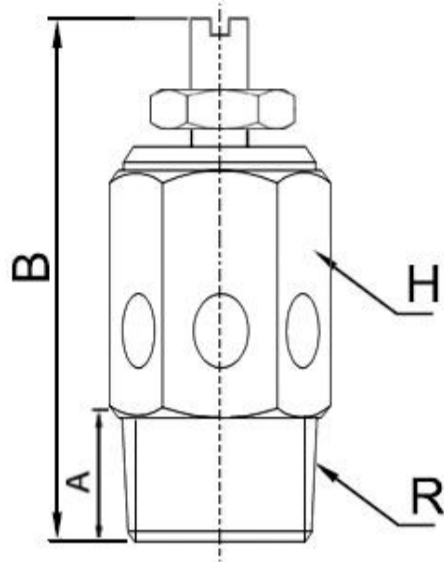
Working Temperature: -10~80°C | 14~176°F

PART NO.	Sound Pressure Level*	R	A(mm)	B(mm)	H(mm)
BESL-S 01	81	R1/8	5.8	38	13
BESL-S 02	85	R1/4	7	38	16
BESL-S 03	80	R3/8	9	52	22
BESL-S 04	87	R1/2	10	53	22
BESL-S 06	84	R3/4	10.5	70	30
BESL-S 08	86	R1	11.5	70	36
BESL-S G01	81	G1/8	5.8	38	13
BESL-S G02	85	G1/4	7	38	16
BESL-S G03	80	G3/8	9	52	22
BESL-S G04	87	G1/2	10	53	22
BESL-S G06	84	G3/4	10.5	70	30
BESL-S G08	86	G1	11.5	70	36
BESL-S N01	81	1/8NPT	5.8	38	13
BESL-S N02	85	1/4NPT	7	38	16
BESL-S N03	80	3/8NPT	9	52	22
BESL-S N04	87	1/2NPT	10	53	22
BESL-S N06	84	3/4NPT	10.5	70	30
BESL-S N08	86	1NPT	11.5	70	36
BSEL-S M5 x 0.8	75	M5 x 0.8	—	—	—
BESL-S M6 x 1	75	M6 x 1	—	—	—
BESL-S M8 x 1	81	M8 x 1	5.8	38	13
BESL-S M8 x 1.25	81	M8 x 1.25	5.8	38	13
BESL-S M10 x 1	81	M10 x 1	5.8	38	13
BESL-S M10 x 1.25	81	M10 x 1.25	5.8	38	13
BESL-S M12 x 1.25	85	M12 x 1.25	7	38	16
BESL-S M14 x 1.5	85	M14 x 1.5	7	38	16
BESL-S M16 x 1.5	80	M16 x 1.5	9	52	22
BESL-S M20 x 1.5	87	M20 x 1.5	10	53	22

* Sound pressure level measured at 6 bar at 1 m distance.

** Information contained herein may be changed without prior notification.

BESLC-S SLOT SPEED CONTROL SILENCERS



Body(noise absorbing material): Sintered bronze
Base(thread): Brass

Working Pressure: 0—1.0MPa | 0—150psi

Proof Pressure: 3.0Mpa | 435psi

Negative Pressure: -100Kpa | -29.5 In Hg

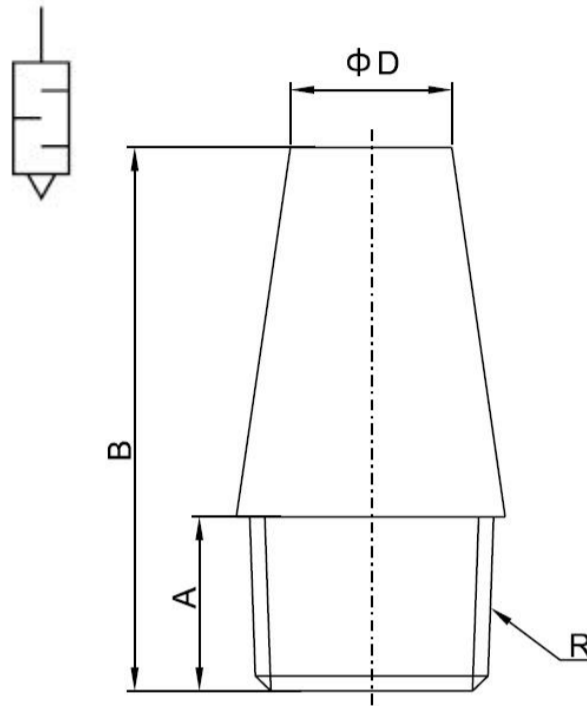
Working Temperature: -10~80°C | 14~176°F

PART NO.	Sound Pressure Level*	R	A(mm)	B(mm)	H(mm)
BESLC-S 01	81	R1/8	5.8	35	12
BESLC-S 02	85	R1/4	7	36	15
BESLC-S 03	80	R3/8	9	44	17
BESLC-S 04	87	R1/2	10	50	21
BESLC-S 06	84	R3/4	10.5	60	27
BESLC-S 08	86	R1	11.5	75	34
BESLC-S G01	81	G1/8	5.8	35	12
BESLC-S G02	85	G1/4	7	36	15
BESLC-S G03	80	G3/8	9	44	17
BESLC-S G04	87	G1/2	10	50	21
BESLC-S G06	84	G3/4	10.5	60	27
BESLC-S G08	86	G1	11.5	75	34
BESLC-S N01	81	1/8NPT	5.8	35	12
BESLC-S N02	85	1/4NPT	7	36	15
BESLC-S N03	80	3/8NPT	9	44	17
BESLC-S N04	87	1/2NPT	10	50	21
BESLC-S N06	84	3/4NPT	10.5	60	27
BESLC-S N08	86	1NPT	11.5	75	34
BESLC-S M5 x 0.8	75	M5 x 0.8	—	—	—
BESLC-S M6 x 1	75	M6 x 1	—	—	—
BESLC-S M8 x 1	81	M8 x 1	5.8	35	12
BESLC-S M8 x 1.25	81	M8 x 1.25	5.8	35	12
BESLC-S M10 x 1	81	M10 x 1	5.8	35	12
BESLC-S M10 x 1.25	81	M10 x 1.25	5.8	35	12
BESLC-S M12 x 1.25	85	M12 x 1.25	7	36	15
BESLC-S M14 x 1.5	85	M14 x 1.5	7	36	15
BESLC-S M16 x 1.5	80	M16 x 1.5	9	44	17
BESLC-S M20 x 1.5	87	M20 x 1.5	10	50	21

* Sound pressure level measured at 6 bar at 1 m distance.

** Information contained herein may be changed without prior notification.

BSLDE Extended Sintered Bronze Silencer



Body(noise absorbing material): Sintered bronze
 Base(thread): Sintered bronze

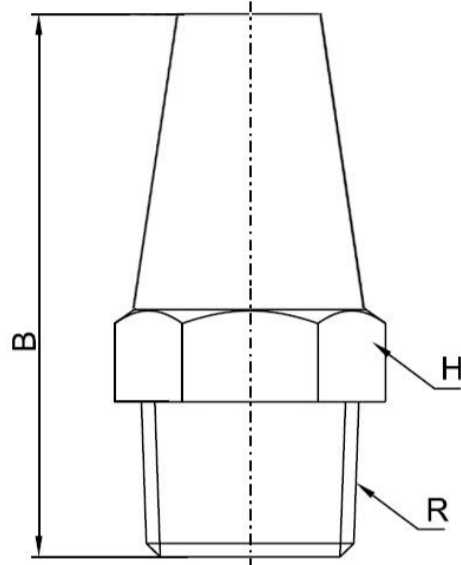
Working Pressure: 0—1.0MPa | 0—150psi
 Proof Pressure: 3.0Mpa | 435psi
 Negative Pressure: -100Kpa | -29.5 In Hg
 Working Temperature: -10~80°C | 14~176°F

PART NO.	Sound Pressure Level*	R	B(mm)
BSLDE 01	81	R1/8	60
BSLDE 02	85	R1/4	63
BSLDE G01	81	G1/8	60
BSLDE G02	85	G1/4	63
BSLDE N01	81	1/8NPT	60
BSLDE N02	85	1/4NPT	63

* Sound pressure level measured at 6 bar at 1 m distance.

** Information contained herein may be changed without prior notification.

BSLE Hexagon Sintered Bronze Silencer



Body(noise absorbing material): Sintered bronze
 Base(thread): Sintered bronze

Working Pressure: 0—1.0MPa | 0—150psi

Proof Pressure: 3.0Mpa | 435psi

Negative Pressure: -100Kpa | -29.5 In Hg

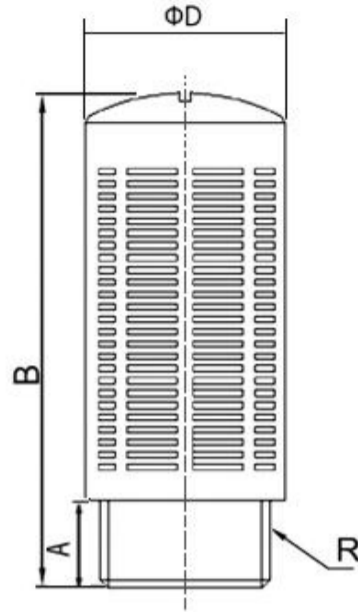
Working Temperature: -10~80°C | 14~176°F

PART NO.	Sound Pressure Level*	R	B(mm)	H(mm)
BSLE 01	81	R1/8	25	12
BSLE 02	85	R1/4	34	16.5
BSLE 03	80	R3/8	37	21.5
BSLE 04	87	R1/2	44	26
BSLE 06	84	R3/4	52	31.5
BSLE 08	86	R1	64	40.5
BSLE G01	81	G1/8	25	12
BSLE G02	85	G1/4	34	16.5
BSLE G03	80	G3/8	37	21.5
BSLE G04	87	G1/2	44	26
BSLE G06	84	G3/4	52	31.5
BSLE G08	86	G1	64	40.5
BSLE N01	81	1/8NPT	25	12
BSLE N02	85	1/4NPT	34	16.5
BSLE N03	80	3/8NPT	37	21.5
BSLE N04	87	1/2NPT	44	26
BSLE N06	84	3/4NPT	52	31.5
BSLE N08	86	1NPT	64	40.5
BSLE M8 x 1	81	M8 x 1	25	12
BSLE M8 x 1.25	81	M8 x 1.25	25	12
BSLE M10 x 1	81	M10 x 1	25	12
BSLE M10 x 1.25	81	M10 x 1.25	25	12
BSLE M12 x 1.25	85	M12 x 1.25	34	16.5
BSLE M14 x 1.5	85	M14 x 1.5	34	16.5
BSLE M16 x 1.5	80	M16 x 1.5	37	21.5
BSLE M20 x 1.5	87	M20 x 1.5	44	26

* Sound pressure level measured at 6 bar at 1 m distance.

** Information contained herein may be changed without prior notification.

PSL Porous Plastic Muffler



Body(noise absorbing material): Granulated Acetal Resin
 Base(thread): Acetal Plastic

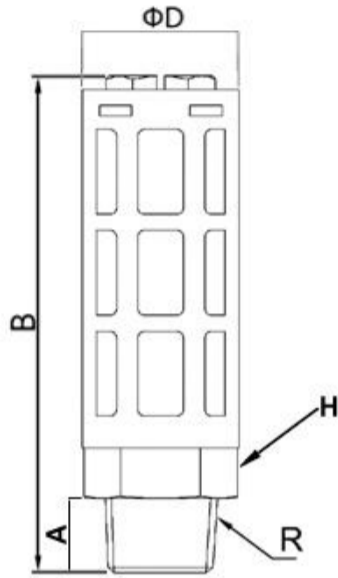
Working Pressure: 0—1.0MPa | 0—150psi
 Proof Pressure: 3.0Mpa | 435psi
 Negative Pressure: -100Kpa | -29.5 In Hg
 Working Temperature: 0~60°C | 32~140°F

PART NO.	Sound Pressure Level*	R	A(mm)	B(mm)	D(mm)
PSL 01	78	R1/8	7	32	16
PSL 02	80	R1/4	8	42	20
PSL 03	85	R3/8	10	55.5	24
PSL 04	88	R1/2	10	56	24
PSL 06	90	R3/4	17	134	48
PSL 08	95	R1	17	134	48
PSL G01	78	G1/8	7	32	16
PSL G02	80	G1/4	8	42	20
PSL G03	85	G3/8	10	55.5	24
PSL G04	88	G1/2	10	56	24
PSL G06	90	G3/4	17	134	48
PSL G08	95	G1	17	134	48
PSL N01	78	1/8NPT	7	32	16
PSL N02	80	1/4NPT	8	42	20
PSL N03	85	3/8NPT	10	55.5	24
PSL N04	88	1/2NPT	10	56	24
PSL N06	90	3/4NPT	17	134	48
PSL N08	95	1NPT	17	134	48

* Sound pressure level measured at 6 bar at 1 m distance.

** Information contained herein may be changed without prior notification.

PSU Porous Plastic Silencer



Body(noise absorbing material): Polyethylene
 Base(thread): Acetal Plastic

Working Pressure: 0—1.0MPa | 0—150psi
 Proof Pressure: 3.0Mpa | 435psi
 Negative Pressure: -100Kpa | -29.5 In Hg
 Working Temperature: 0~60°C | 32~140°F

PART NO.	Sound Pressure Level*	R	A(mm)	H(mm)	B(mm)	D(mm)
PSU 01	78	R1/8	6.5	15	40	16
PSU 02	80	R1/4	10	18	65	21
PSU 03	85	R3/8	12.5	21	85	25
PSU 04	88	R1/2	14	23	94	30
PSU 06	90	R3/4	16	33	100	45
PSU 08	95	R1	17	33	100	45
PSU M5	75	M5 x 0.8	5	14	18	8.5
PSU G01	78	G1/8	6.5	15	40	16
PSU G02	80	G1/4	10	18	65	21
PSU G03	85	G3/8	12.5	21	85	25
PSU G04	88	G1/2	14	23	94	30
PSU G06	90	G3/4	16	33	100	45
PSU G08	95	G1	17	33	100	45
PSU N01	78	1/8NPT	6.5	15	40	16
PSU N02	80	1/4NPT	10	18	65	21
PSU N03	85	3/8NPT	12.5	21	85	25
PSU N04	88	1/2NPT	14	23	94	30
PSU N06	90	3/4NPT	16	33	100	45
PSU N08	95	1NPT	17	33	100	45

* Sound pressure level measured at 6 bar at 1 m distance.

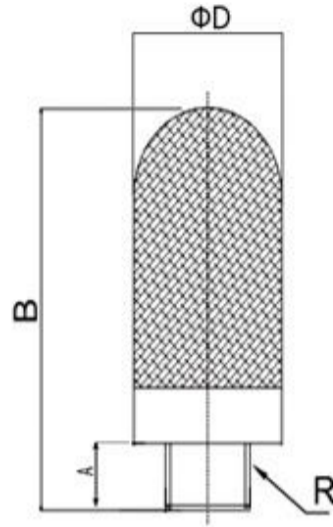
** Information contained herein may be changed without prior notification.

PSE Porous Plastic Muffler



Body(noise absorbing material): Polyethylene
 Base(thread): Polyethylene

Working Pressure: 0—1.0MPa | 0—150psi
 Proof Pressure: 3.0Mpa | 435psi
 Negative Pressure: -100Kpa | -29.5 In Hg
 Working Temperature: 0~60°C | 32~140°F

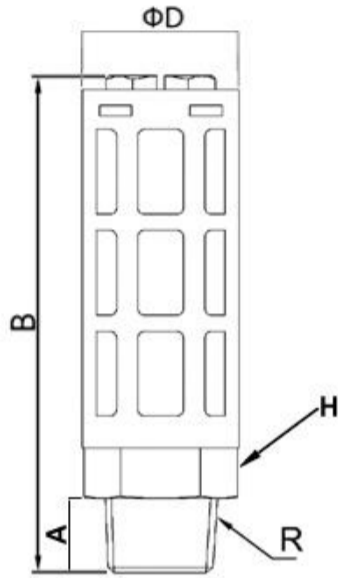


PART NO.	Sound Pressure Level*	R	A(mm)	B(mm)	D(mm)
PSE M5	-	M5 x 0.8	6	32	7
PSE 01	78	R1/8	7	33	13
PSE 02	80	R1/4	8	41	17
PSE 03	85	R3/8	10	65	25
PSE 04	88	R1/2	13.5	74	25
PSE 06	90	R3/4	15	137	37
PSE 08	95	R1	18	155	48
PSE G01	78	G1/8	7	33	13
PSE G02	80	G1/4	8	41	17
PSE G03	85	G3/8	10	65	25
PSE G04	88	G1/2	13.5	74	25
PSE G06	90	G3/4	15	137	37
PSE G08	95	G1	18	155	48
PSE N01	78	1/8NPT	7	33	13
PSE N02	80	1/4NPT	8	41	17
PSE N03	85	3/8NPT	10	65	25
PSE N04	88	1/2NPT	13.5	74	25
PSE N06	90	3/4NPT	15	137	37
PSE N08	95	1NPT	18	155	48

* Sound pressure level measured at 6 bar at 1 m distance.

** Information contained herein may be changed without prior notification.

PST Plastic Silencer



Body(noise absorbing material): Polyethylene
 Base(thread): Polyethylene

Working Pressure: 0—1.0MPa | 0—150psi
 Proof Pressure: 3.0Mpa | 435psi
 Negative Pressure: -100Kpa | -29.5 In Hg
 Working Temperature: 0~60°C | 32~140°F

PART NO.	Sound Pressure Level*	R	A(mm)	H(mm)	B(mm)	D(mm)
PST 01	78	R1/8	6.5	12	39	12
PST 02	80	R1/4	10	17	65	21
PST 03	85	R3/8	12.5	25	85	21
PST 04	88	R1/2	14	26	94	30
PST G01	78	G1/8	6.5	12	39	12
PST G02	80	G1/4	10	17	65	21
PST G03	85	G3/8	12.5	25	85	21
PST G04	88	G1/2	14	26	94	30
PST N01	78	1/8NPT	6.5	12	39	12
PST N02	80	1/4NPT	10	17	65	21
PST N03	85	3/8NPT	12.5	25	85	21
PST N04	88	1/2NPT	14	26	94	30

* Sound pressure level measured at 6 bar at 1 m distance.

** Information contained herein may be changed without prior notification.

PNEUFLEX PNEUMATIC CO., LTD

ADD: NO.727, Suntang North Road, Cixi, Ningbo, China, 315300

TEL: +86 574 23619802 23619805

FAX: +86 574 56877834

EMAIL: sales@pneuflexfittings.com

PNEUFLEX OFFICIAL WEBSITES:

1. *<http://www.wellfittings.com> (USA)*
2. *<http://www.pneuflexfittings.com> (USA)*
3. *<http://www.pneuflex-fittings.com> (USA)*
4. *<http://www.pneuflex-pneumatic.com> (UK)*
5. *<http://www.pneuflexeu.com> (EU)*
6. *<http://www.conexiones-neumaticas.com> (Español)*

Credit and Quality are warranted by distributors and customers in more than 30 countries and regions.